



# Interface Shield For Arduino (SKU: DFR0074)

---



## Contents

- [1 Introduction](#)
- [2 Features](#)
- [3 Pin Usage](#)

## Introduction

This **interface shield** supports multi-interfaces, SPI interface (directly connected Shiftout module, [SPI LCD display module](#), SPI LED display module), IIC Interface (direct connects IIC ICD display module, IIC transfer IO module), Micro SD card interface (Micro SD card can be directly inserted), [SD card storage module interface](#), TLC full-color LED controller module.

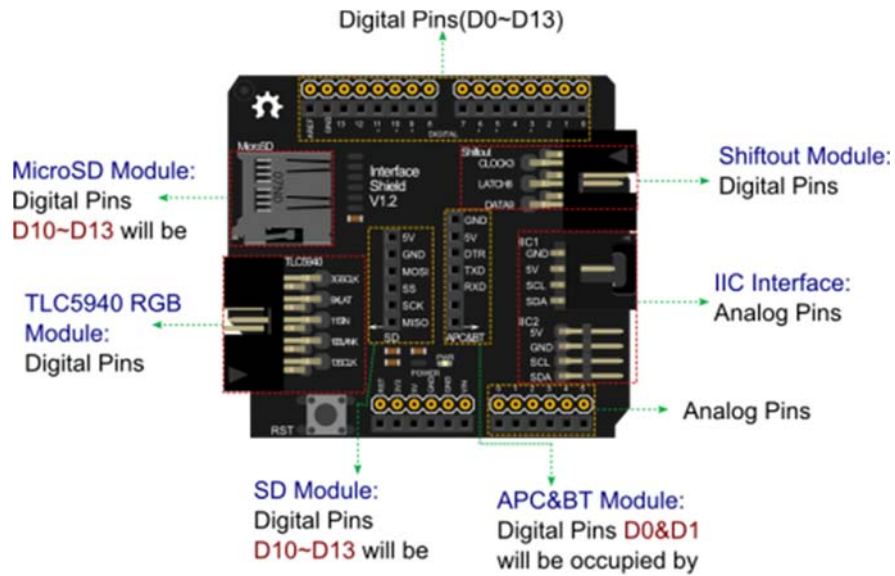
## Features

- Multi-function expansion board
- Compatible with Arduino
- Supports SPI Interface, IIC interfaces, SD card, TLC5940

## Pin Usage

- Shiftout: Digital 3,8,9
- TLC: Digital 3,9,10,11,13

- SD:Digital 10,11,12,13
- IIC:Analog 4,5



**Description for the interfaces of the Interface Shield**

Module	Module Pins	Pins Occupied by the module
Shiftout	CLOCK3	D3
	LATCH8	D8
	DATA9	D9
IIC Interface	IIC1_SCL	AD4
	IIC1_SDA	AD5
	IIC2_SCL	AD5
	IIC2_SDA	AD4
APC&BT	TXD	D1/TX
	RXD	D0/RX
SD Module	MOSI	D11
	SS	D10
	SCK	D13
	MISO	D12
TLC5940	3GSCLK	D3
	9XLAT	D9
	11SIN	D11
	10BLANK	D10
	13SCLK	D13
MicroSD Module	The same as the SD	

Interface Shield For Arduino Pin Out