

Sensor/Motor Drive Board - Version 2.2 (SKU:DFR0057)

Contents

- 1 Introduction
- 2 Specification
- 3 Pin out diagram
 - 3.1 Applying Power
 - 3.2 Serial hardware configuration
 - 3.3 Command Sets
 - 3.3.1 Configure Servo Control Mode
 - 3.3.2 Set DIO Input/output Mode
 - 3.3.3 Set DIO Output
 - 3.3.4 Read DIO Input
 - 3.3.5 Servo Control
 - 3.3.6 Read Analog Input (12 bits)
 - 3.3.7 Configure RS485 Baud Rate
 - 3.3.8 RS485 Communication
 - 3.3.9 Write Data via I2C
 - 3.3.10 Read Data via I2C
 - 3.3.11 Set Motor Parameters
 - 3.3.12 Set Motor Speed
 - 3.3.13 Read Motor Speed
 - 3.3.14 Read Motor Current
 - 3.3.15 Set PID Parameters
 - 3.3.16 Set Motor Driven Mode
 - 3.3.17 Set Motor Power
 - 3.3.18 Read encoder data
 - 3.3.19 Reset Encoder Reading
 - 3.3.20 Read Board Version

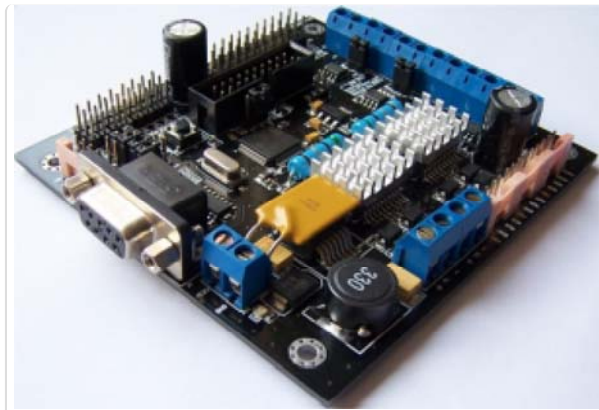
Introduction

A. *Please read this manual carefully before power on the device.*

B. Do not use this device for military or medical purpose as they are not designed to.

This Sensor/Motor Drive Board (Cortex M3 CPU) is the integration of multiple communication interfaces that quickly build robotic systems. This board (Cortex M3 CPU) features the SPI Interface and

works as a bridge between the whole system. There are many types of sensors on the board such as I2C bus communication protocol sensors, Ultrasonic sensors, SP03 TTS, CMP03 electronic compass, RS485-bus sensors, analog output sensors, infrared distance sensors, gyro sensors, acceleration sensors, and light sensors etc. The RS232 serial port is used to send signals to the host PC or other embedded systems. At the same time SDB plates with two-way DC motor-driven, two-way rotary encoder interface and a PID motor control algorithms which can be controlled through the serial port. The mounting hole structure is compatible with PC104.



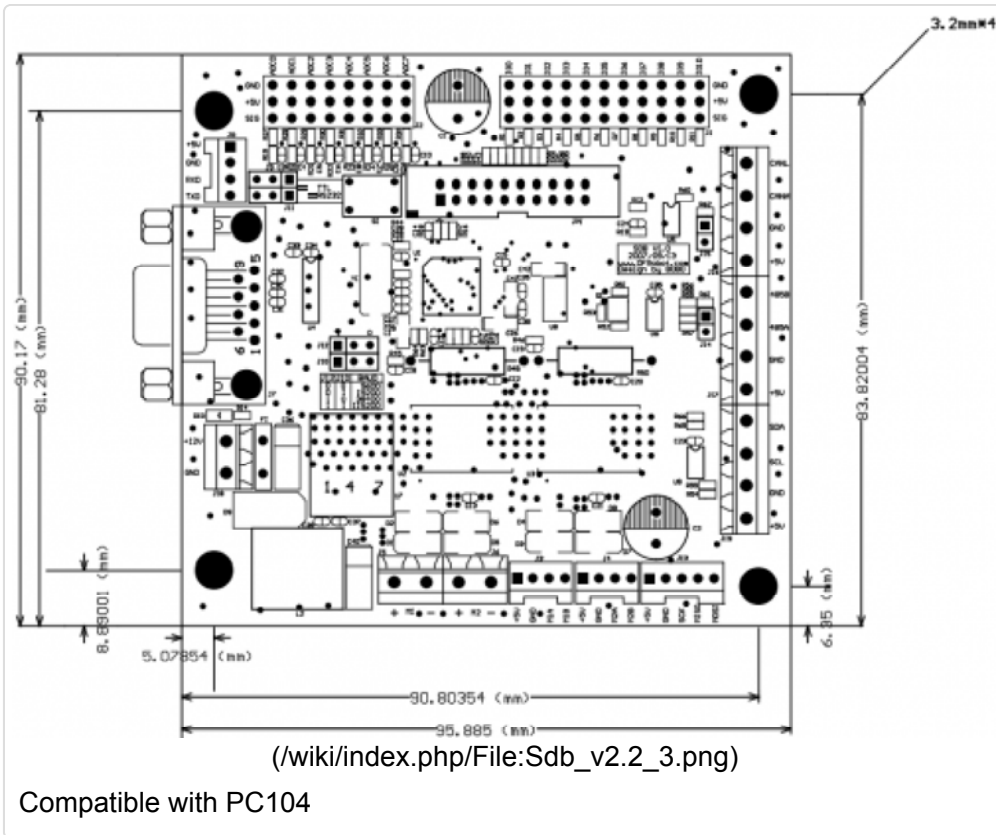
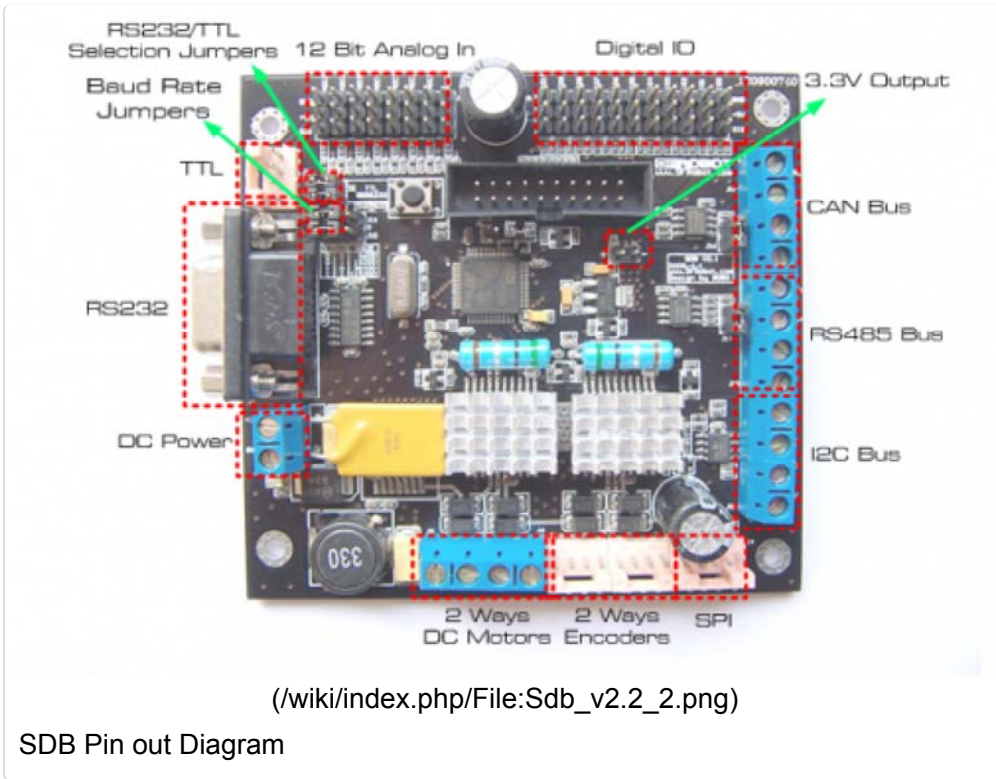
(/wiki/index.php/File:Sdb_v2.2_1.png)

Sensor/Motor Drive Board - Version 2.2

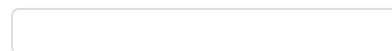
Specification

- Supply Voltage : 6V-12V, 15V maximum
- Working Current : 150mA @ 12V
- Working Temperature : -10 ~ + 70°C
- CPU: Cortex-M3 (90MIPS) , support DMA access
- Interface : RS232/TTL at 9600、 19200、 38400 or 115200 bps
- 8 Analog Input (12 bits)
- 11 Digital I/O Lines (IO0-IO7 can be configured for servo control)
- Up to 8 servo with speed control
- Support I2C,RS485,(CAN and SPI interfaces are not supported in V2.2)
- Dual 4 Amp H-Bridge: Control 2 DC motors with A/B encoders interface. Integrated PID speed *control. Support odometer and motor current reading.
- Size : 96mmx90mmx20mm (compatible with PC104 mounting holes)
- Weight : 87g

Pin out diagram



Applying Power



To power the SDB boards, simply connect the ground wire from your supply to the screw terminal labeled “GND”, and then connect the positive wire from your supply to the screw terminal labeled “+12V”. *NOTE: DO NOT apply voltage over 15V DC.*



Serial hardware configuration

The SDB board supports RS232/TTL interface. The RS232/TTL output mode is selected by jumpers.



(/wiki/index.php/File:Sdb_v2.2_5.pr
RS232/TTL Selection Jumpers

Command Sets

- All commands are in Hex format.
- All response is terminated by a 0x0A (Line Feed) at the end of the data.

Configure Servo Control Mode

Header	Add	Length	Cmd	I/O status	SUM
0x55	0xaa	0x10	0x01	IO7~IO0	SUM

This command is used to configure the DIO to servo control mode.

The I/O status byte is calculated from Bit0:Bit7 which is mapped on IO0-IO7.

IO7	IO6	IO5	IO4	IO3	IO2	IO1	IO0
Bit7	Bit6	Bit5	Bit4	Bit3	Bit2	Bit1	Bit0

When the IO Bit is set to 1, the servo mode is enabled. When IO bit is set to 0, the servo mode is disabled.

Examples:

For example, to set IO3 and IO4 as servo mode, the bit table is as the following:

I/O status = 0x18

IO7	IO6	IO5	IO4	IO3	IO2	IO1	IO0
0	0	0	1	1	0	0	0

And the I/O status byte is 00011000 = 0x18.

Send:

0x55 0xaa 0x10 0x01 0x01 0x00 0x11 (Disable all servo control mode)

0x55 0xaa 0x10 0x01 0x01 0x01 0x12 (Configure IO0 to Servo control mode)

0x55 0xaa 0x10 0x01 0x01 0x03 0x14 (Configure IO0 and IO1 to Servo control mode)

0x55 0xaa 0x10 0x01 0x01 0x18 0x29 (Configure IO3 and IO4 to Servo control mode)

0x55 0xaa 0x10 0x01 0x01 0x7F 0x91 (Configure all DIO 0-7 to Servo control mode)

Return:

None

Set DIO Input/output Mode

Header	Add	Length	Cmd	I/O status H	I/O status L	SUM
0x55	0xaa	0x10	0x02	IO10~IO8	IO7~IO0	SUM

This command is used to set Digital Pin to input or output mode individually.

I/O status L

IO7	IO6	IO5	IO4	IO3	IO2	IO1	IO0
Bit7	Bit6	Bit5	Bit4	Bit3	Bit2	Bit1	Bit0

I/O status H

N/A	N/A	N/A	N/A	N/A	IO10	IO9	IO8
N/A	N/A	N/A	N/A	N/A	Bit2	Bit1	Bit0

NOTE: Before configure this DIO mode; the servo control mode must be disabled first.

Example:

To set IO 1,2,9 as output, the rest IO as input.

I/O status L =0x06

IO7	IO6	IO5	IO4	IO3	IO2	IO1	IO0
0	0	0	0	0	1	1	0

I/O status H =0x02

N/A	N/A	N/A	N/A	N/A	IO10	IO9	IO8
N/A	N/A	N/A	N/A	N/A	0	1	0

Send:

0x55 0xAA 0x10 0x02 0x02 0x02 0x06 0x1B

Return:

NONE

Set DIO Output

Header	Add	Length	Cmd	I/O Value H	I/O Value L	SUM
0x55	0xaa	0x10	0x03	IO10~IO8	IO7~IO0	SUM

I/O Value L

IO7	IO6	IO5	IO4	IO3	IO2	IO1	IO0
Bit7	Bit6	Bit5	Bit4	Bit3	Bit2	Bit1	Bit0

I/O Value H

N/A	N/A	N/A	N/A	N/A	IO10	IO9	IO8
N/A	N/A	N/A	N/A	N/A	Bit2	Bit1	Bit0

When the Bit is set to 1, the output is HIGH, When the Bit is set to 0, the output is LOW.

NOTE: If one of the DIO is configured as Digital Input Mode, the command to set its output will be invalid.

Examples:

Send:

0x55 0xAA 0x10 0x01 0x01 0x00 0x11 (Disable servo control mode)

0x55 0xAA 0x10 0x02 0x02 0x00 0x00 0x13 (Configure IO0-10 as output mode)

0x55 0xAA 0x10 0x02 0x03 0x55 0x55 SUM (Set IO Output 0x55 0x55)

Tips: It is encouraged to disable servo control mode before performing any operations on DIO

Return:

None

Read DIO Input

Header	Add	Length	Cmd	SUM
--------	-----	--------	-----	-----

0x55	0xaa	0x10	0x00	0x04	SUM
------	------	------	------	------	-----

This command reads the value on DIO when they are configured as Input Mode.

Return Data :

Header	Add	Length	Cmd	High Byte	Low Byte	SUM	
0x55	0xaa	0x10	0x00	0x04	IO10~IO8	IO7~IO0	SUM

Example:

Send:

0x55 0xAA 0x10 0x01 0x01 0x00 0x11(Disable servo control mode)

0x55 0xAA 0x10 0x02 0x02 0xFF 0xFF 0x11(Configure IO0-10 as input mode)

0x55 0xAA 0x10 0x00 0x04 0x13(Read DIO Input)

Return:

0x55 0xAA 0x10 0x02 0x04 0x07 0xFF 0x1B 0x0A

Servo Control

Header	Add	Length	Cmd	S0 Pos	S0 Speed	...	S10 Pos	S10 Speed	SUM
0x55	0xaa	0x10	0x05	0xD0	0xS0	...	0xD10	0xS10	SUM

This command moves the servo at specific speeds.

After configuring the DIO0-7 to Servo control mode, this command is used to play the Servo with position and speed control.

"S0 Pos" is the position value of the servo. The value is from 0 to 180, and 90 is corresponding to the center position. "S0 Speed" is the speed value of the servo. The value is from 0 to 0xFF, and 0xFF stands for the highest speed.

Examples:

Send:

Enable servo control mode

0x55 0xAA 0x10 0x01 0x01 0xff 0x10

Move Servo 0 and 1 to the center position at maximum speed, move Servo 2-5 with incremental position at maximum speed

0x55 0xAA 0x10 0x10 0x05 0x5a 0xFF 0x5a 0xFF 0x20 0xFF 0x30 0xFF 0x40 0xFF

0x50 0xFF 0x60 0xFF 0x70 0xFF 0x7E

Return:

None

Read Analog Input (12 bits)

Header		Add	Length	Cmd	SUM
0x55	0xaa	0x10	0x00	0x06	SUM

This command reads the values on analog pins.

Returns :

Header	Add	Length	Cmd	AD0H	AD0L	...	AD7H	AD7L	SUM
0x55	0xaa	0x10	0x06	H	L	...	H	L	SUM

The returned analog value consists of two bytes HIGH and LOW. 0xFF is mapping to 3.3V and 0x00 is mapping to 0V. *NOTE: If the analog input exceeds 3.36V, the returned data may not be correct.*

Example:

Send:

Read Analog Input

0x55 0x AA 0x 10 0x 00 0x 06 0x 15

Return:

0x55 0xAA 0x10 0x10 0x06 0x05 0x1B 0x07 0x78 0x08 0x7F 0x07 0xE0 0x08 0xAF
0x07 0xFA 0x09 0xED 0x0D 0x24 0x11 0x0A

Configure RS485 Baud Rate

Header		Add	Length	Cmd	Baud Rate	SUM
0x55	0xaa	0x10	0x01	0x07	Baud	SUM

This commands set the baud rate for RS485 Bus.

Baud Rate:

- 0x00 : 2400 bps
- 0x01 : 9600 bps
- 0x02 : 19200 bps
- 0x03 : 38400 bps
- 0x04 : 115200 bps

Example:

Send:

Set RS485 Baud rate to 115200bps

0x55 0xaa 0x10 0x01 0x07 0x04 0x1B

Return:

None

RS485 Communication

Send:

Header	Add	Length	Cmd	Data 0	...	Data n	SUM	
0x55	0xaa	0x10	N	0x08	Data 0	...	Data n	SUM

This command transmits the data via RS485 BUS from RS232/TTL. The length of data must not exceed 64.

Response:

Header	Add	Length	Cmd	Data 0	...	Data n	SUM	
0x55	9xaa	0x10	N	0x08	Data 0	...	Data n	SUM

The response data is transmitted to RS232/TTL.

Example:

Send:

Trigger URM04 ultrasonic sensor (Device address 0x11)

0x55 0xaa 0x10 0x06 0x08 0x55 0xaa 0x11 0x00 0x01 0x11 0x3f

Return:

None

Send:

Read URM04 data (For more detail of this command, refer URM04 manual)

0x55 0xaa 0x10 0x06 0x08 0x55 0xaa 0x11 0x00 0x02 0x12 0x41

Return:

0x55 0xAA 0x10 0x08 0x08 0x55 0xAA 0x11 0x02 0x02 0x00 0x09 0x1D 0x59 0x0A

0x00 0x09 is the return distance data which is 9 cm.

Write Data via I2C

Header	Add	Length	Cmd	Device Add	Start Add	Data 0	...	Data n	SUM	
0x55	0xaa	0x10	N	0x09	Deviceaddr	StartAddr	Data0	...	Data n	SUM

This command writes data to device via I2C. The total data length must be less than 64 bytes.

Read Data via I2C

Header	Add	Length	Cmd	Address	Start Add	Data Length	SUM	
0x55	0xaa	0x10	0x03	0x0A	Deviceaddr	StartAddr	Len	SUM

This command reads data from device via I2C. The total data length is less than 4 bytes.

Example:

Read:

Trigger SRF02 Ultrasonic sensor reading (Device Address:0xE0)

0x55 0xaa 0x10 0x03 0x09 0xE0 0x00 0x51 0x4C

Read SRF02 Data (more detail, please refer to SRF02 Manual)

0x55 0xaa 0x10 0x03 0x0A 0xE0 0x02 0x02 0x00

Return:

0x55 0xAA 0x10 0x04 0x0A 0xE0 0x02 0x00 0xAC 0xAB 0x0A

(0x00 0xAC is the return distance which is 172 cm)

Read:

Read CMPS03Compass data (Device Address:0xc0)

0x55 0xaa 0x10 0x03 0x0a 0xc0 0x01 0x01 0xde

Read HMC6343 Compass data (Device Address:0x32)

0x55 0xaa 0x10 0x03 0x0a 0x32 0x50 0x06 0xa4

Return:

0x55 0xAA 0x10 0x08 0x0A 0x32 0x50 0x00 0x08 0xFF 0xF0 0xFF 0xFB 0x94 0x0A

Set Motor Parameters

Header	Add	Length	Cmd	ENCODER_PPR	GearRatio	WheelPerimeter	SUM			
0x55	0xaa	0x10	0x0B	H	L	H	L	H	L	SUM

This commands set the parameters for DC motor speed control.

ENCODER_PPR: The pulse per rotation of encoder. (Default value 12) GearRatio: Gear ratio.

For a 64:0 gear ratio, the value should be 640(0x02 0x80). (Default value 640)

WheelPerimeter : The perimeter and the wheel (Default value 502 mm)

Set Motor Speed

Header	Add	Length	Cmd	M1_SPEED	M2_SPEED	MOTO_DIR	SUM		
0x55	0xaa	0x10	0x0C	H	L	H	L	DIR	SUM

This commands set the speed of motor.

- M1_SPEED/M2_SPEED consists of two bytes (HIGH and LOW). For a 132 cm/s speed, the M1_SPEED will be 0x00 0x84.
- MOTO_DIR is direction control. The low 4 bits of the byte is for the direction of Motor 1. The high 4 bits of the byte is for the direction of Motor 2.

Motor 2				Motor 1			
Bit7	Bit6	Bit5	Bit4	Bit3	Bit2	Bit1	Bit0
0	0	0	0	0	0	0	0

0 is forward, F is backward. For example, to set Motor 1 move forward while set Motor 2 move backward. The MOTO_DIR will be look like:

Motor 2				Motor 1			
Bit7	Bit6	Bit5	Bit4	Bit3	Bit2	Bit1	Bit0
1	1	1	1	0	0	0	0

The actual value of the MOTO_DIR will be 0xF0.

Example:

Send:

Set motor speed at 4cm/s (Forward)

0x55 0xaa 0x10 0x05 0x0C 0x00 0x04 0x00 0x04 0x00 0x28

Set motor speed at 4cm/s (Backward)

0x55 0xaa 0x10 0x05 0x0C 0x00 0x04 0x00 0x04 0xFF 0x27

Return:

None

Read Motor Speed

Header		Add	Length	Cmd	SUM
0x55	0xaa	0x10	0x00	0x0D	0x1C

Return :

Header	Add	Length	Cmd	M1_PV_CPS		M2_PV_CPS		SUM
0x55	0xaa	0x10	0x0D	H	L	H	L	SUM

Read Motor Current

Header		Add	Length	Cmd	SUM
0x55	0xaa	0x10	0x00	0x0E	0x1D

This command reads the motor current.

Return :

Header	Add	Length	Cmd	M1_Curent		M2_Curent		SUM
0x55	0xaa	0x10	0x0E	H	L	H	L	SUM

The current value is 16 bit which consists of two bytes (HIGH and LOW). The current unit is mA.

Set PID Parameters

Header	Add	Length	Cmd	P	I	D	SUM
0x55	0xaa	0x10	0x0F	Kprop	Krate	Kint	SUM

Kprop: Proportional gain Krate: Derivative gain Kint : Integral gain

NOTE: The gain value must multiple by 10. For example, if the actual K is 0.1, then the Kprop must be 0.1x10 which 1(0x01).

Set Motor Driven Mode

Header	Add	Length	Cmd	Drive Mode	SUM
0x55	0xaa	0x10	0x10	Mode	SUM

This command sets the motor driven mode. Mode:

Value: 0X00

PID speed control. This is a close loop control method. The parameters for the motors must be :set for proper speed control.

Value: 0X11

Direct power control. This is an open loop control method; the parameters do not affect the motors.

Example:

Send:

Set the motor driven mode to direct power control mode

0x55 0xAA 0x10 0x01 0x10 0x11 0x31

Set the motors move forward at 4% power

0x55 0xaa 0x10 0x05 0x0C 0x00 0x04 0x00 0x04 0x00 0x28

Return:

None

Set Motor Power

Header	Add	Length	Cmd	Motor 1 Power Ratio	Motor 2 Power Ratio	SUM
0x55	0xaa	0x10	0x11	S1	S2	SUM

This commands set the power of the motors.

The value of power ratio S1/S2 is from 0-200. 100(0x64) stands for a full stop. 200(0xC8) stands for the maximum forward power. 0(0x00) stands for the maximum backward power.

Read encoder data

Header	Add	Length	Cmd	SUM
0x55	0xaa	0x10	0x00	0x21

Return:

Header	Add	Length	Cmd	M1_ENCODE	M2_ENCODE	SUM
0x55	0xaa	0x10	0x12	H	L	SUM

M1_ENCODE、M2_ENCODE : Two bytes 16 bit value。 Represent the rotation counter of the motors.

When change the direction of the motor, the encoder needs to be reset.

Example :

Send:

Read encoders

0x55 0xaa 0x10 0x00 0x12 0x21

Return:

0x55 0xAA 0x10 0x04 0x12 0x00 0x3C 0x03 0x53 0xB7 0x0A

Reset Encoder Reading

Header	Add	Length	Cmd	SUM
0x55	0xaa	0x10	0x00	0x22

This commands reset the encoder's counters.

Example

Send:

Reset the encoder's counters

0x55 0xAA 0x10 0x00 0x13 0x22

Return:

None

Read Board Version

Header		Add	Length	Cmd	SUM
0x55	0xaa	0x10	0x00	0xFF	0x0E

This command reads the board version.

Return Data:

Header	Add	Length	Cmd	Board Code	Version	Revision	SUM	
0x55	0xaa	0x10	0x03	0xFF	0x01	V1	V2	SUM

Board Code: 0x01 (SDB Board) Version: Board main version Revision: Board revision

Example**Send:**

0x55 0xaa 0x10 0x00 0xff 0x0e

Return:

0x55 0xAA 0x10 0x03 0xFF 0x01 0x02 0x02 0x16 0x0A

Version	Date	Author	Content
0.1	2010/4/25	Chen	Create Document
1.0	2010/6/1	Chen	First Version Released