

Analog Piezo Disk Vibration Sensor (SKU:DFR0052)



Contents

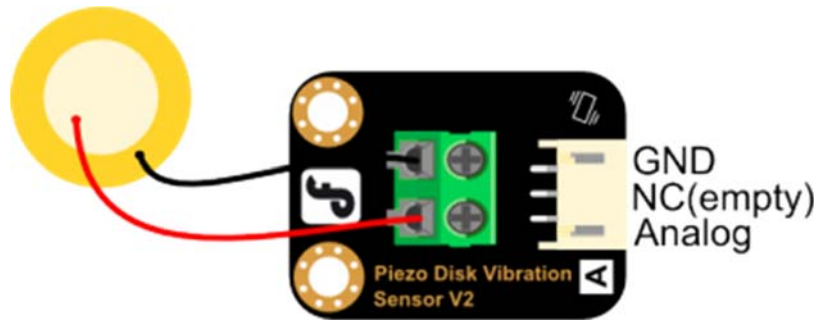
- [1 Introduction](#)
- [2 Specification](#)
- [3 Tutorial](#)
 - [3.1 Connection diagram](#)
 - [3.2 Sample Code](#)
 - [3.3 Result](#)

Introduction

The DFRobot Vibration Sensor buffers a piezoelectric transducer that responds to strain changes by generating a measurable output voltage change which is proportional with the strength of vibration.

Specification

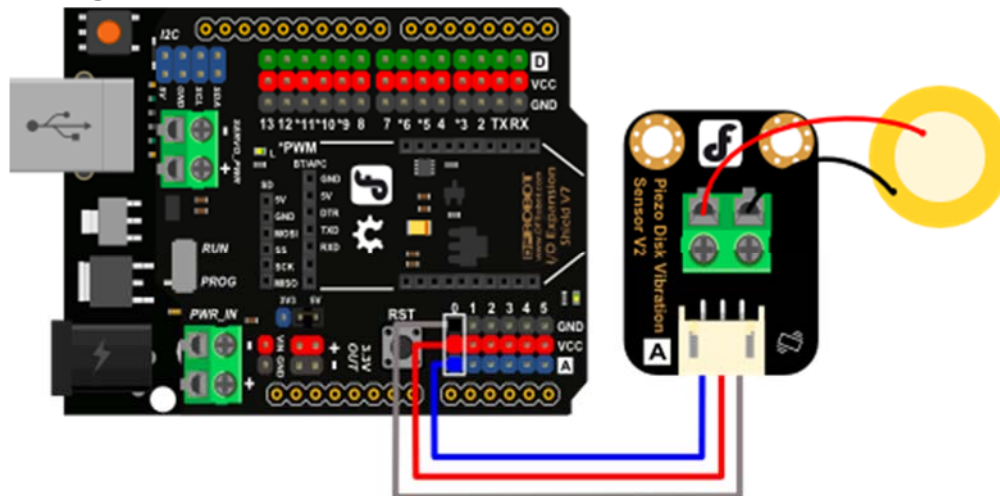
Power supply: Not necessary to power the module
Interface: Analog
Current: less than 1mA
Weight: 10g



Pin Definition

Tutorial

Connection diagram



Sample Code

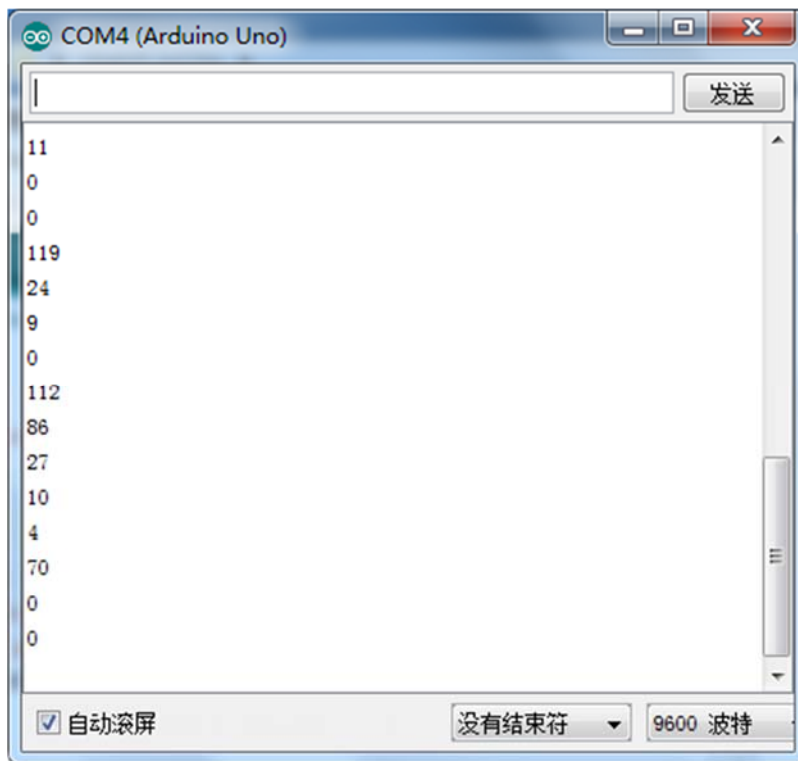
```
void setup()
{
  Serial.begin(9600); //
}
void loop()
{

  int val;
```

```
val=analogRead(0); //Connect the sensor to analog pin 0
Serial.println(val,DEC); //
delay(100);
}
```

Result

When pressure is applied not to the piezoelectric ceramics, the analog output of 0; when pressure is applied to the piezoelectric ceramics, the analog output will send the change, but as the pressure increases.



For any questions/advice/cool ideas to share, please visit [DFRobot Forum](#).