



## Digital Buzzer Module (SKU: DFR0032)

---



Digital Buzzer Module V2

### Contents

- [1 Introduction](#)
- [2 Specification](#)
- [3 Tutorial](#)
  - [3.1 Diagram](#)
  - [3.2 Sample Code](#)
- [4 Trouble shooting](#)

### Introduction

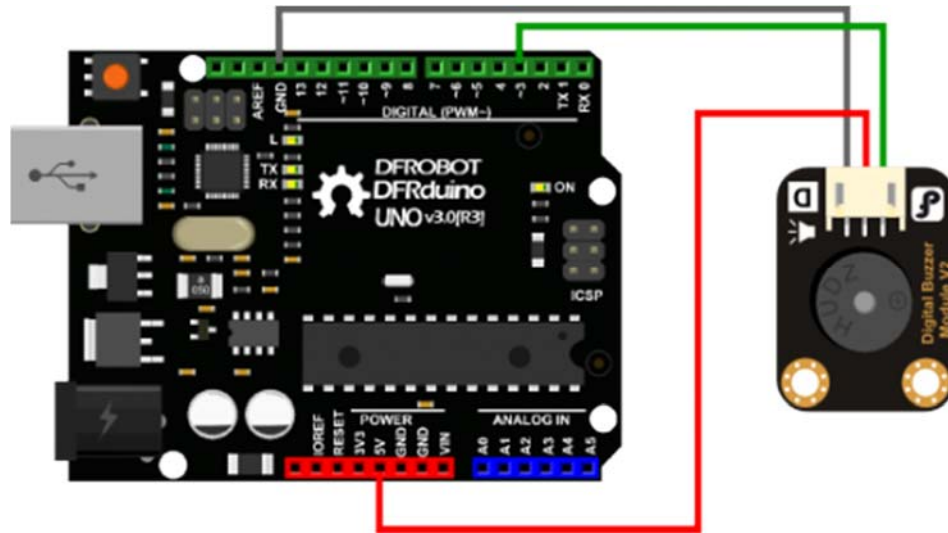
Here is the simplest sound making module that you can use High/Low to drive it. Just change the frequency it buzz, you can hear different sound. It is widely used on your daily appliance, like PC, fridgerator,phones and so on. And you also can create many interesting interactive project with this small but useful module.

Just try it!! You will find that creating electronic sound is so funny.

## Specification

- Type: Digital
- Power supply: 5VDC

## Tutorial Diagram



Digital module connection diagram

## Sample Code

```
int buzzPin = 3;    //Connect Buzzer on Digital Pin3

void setup()

{
  pinMode(buzzPin, OUTPUT);
}

void loop()
{
  digitalWrite(buzzPin, HIGH);
}
```

```
delay(1);  
digitalWrite(buzzPin, LOW);  
delay(1);  
}
```

## Trouble shooting

More question and cool idea, visit [DFRobot Forum](#)