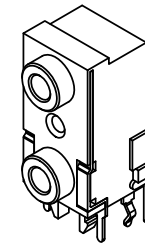
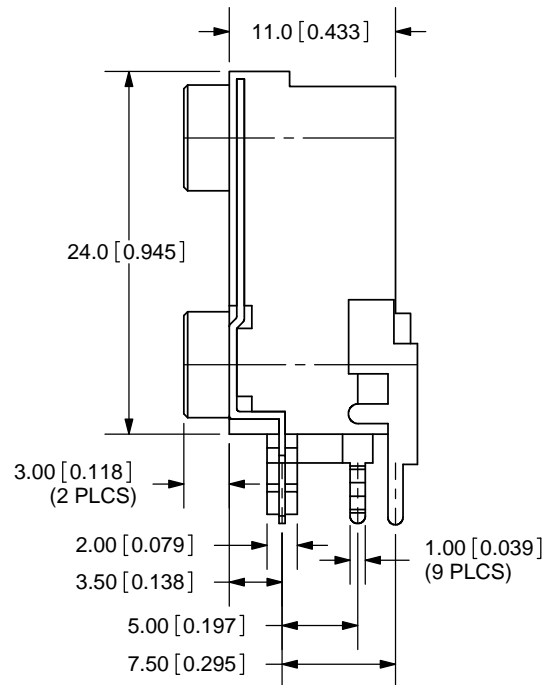
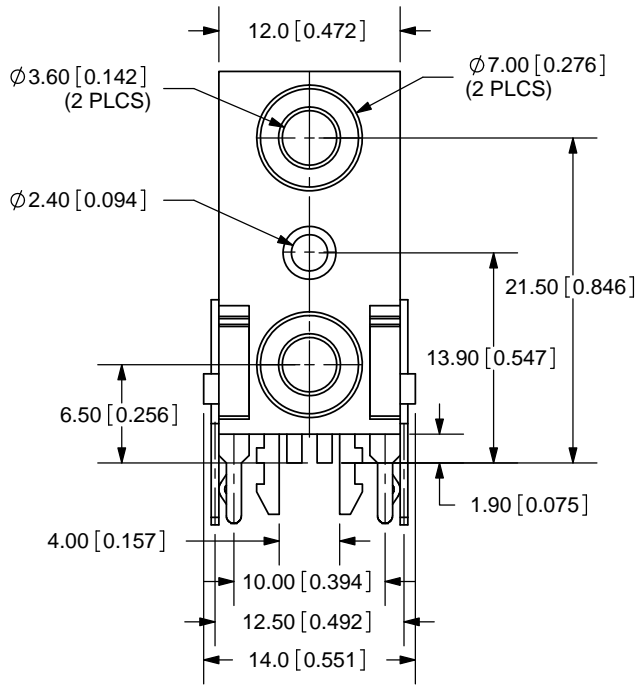
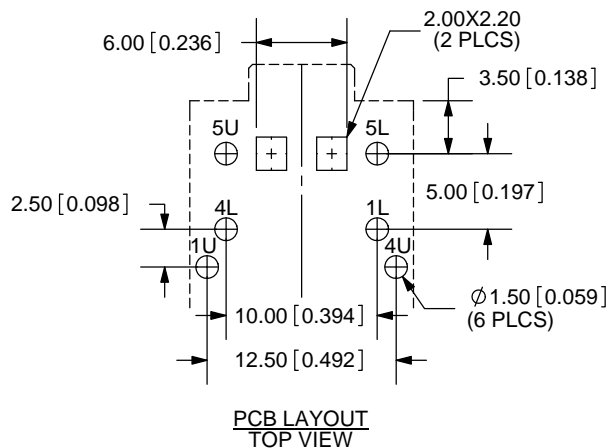
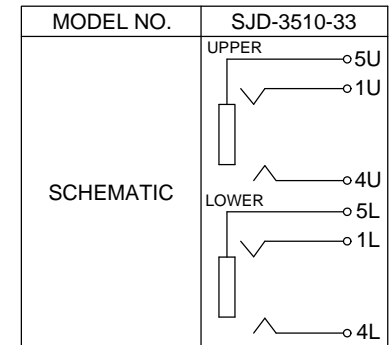


REV.	DESCRIPTION	DATE
C	added kinked pins	1/7/2010
D	tolerance and dimension update	3/11/2010
E	housing material change	2/9/2011



Scale: 1:1



SPECIFICATIONS:
 RATING: 16V DC @ 0.3A
 CONTACT RESISTANCE: 50m OHMS MAX
 INSULATION RESISTANCE: 100M OHMS MIN: 500V DC
 VOLTAGE WITHSTAND: 500V AC R.M.S. FOR 1 MINUTE
 LIFE: 5,000 CYCLES

TOLERANCE:
 X.X ± 0.3 mm
 X.XX ± 0.2 mm



20050 SW 112th Ave.
 Tualatin, OR 97062
 Phone: 503-612-2300
 800-275-4899
 Fax: 503-612-2383
 Website: www.cui.com

	MATERIAL	PLATING
TERMINAL 1U	Brass	Tin
TERMINAL 4U	Brass	Tin
TERMINAL 5U	PBS	Tin
TERMINAL 1L	PBS	Tin
TERMINAL 4L	PBS	Tin
TERMINAL 5L	PBS	Tin
COVER	PBT HF + PA46 HF	
HOUSING	NY66	

TITLE: DUAL STACK 3.5mm STEREO JACK PCB MT.		REV: E
PART NO. SJD-3510-33		UNITS: MM [INCHES]
DRAWN BY: ZRJ	APPROVED BY:	SCALE: 2:1

PC FILE NAME:
 SJD-3510-33

COPYRIGHT 2011 BY CUI INC.