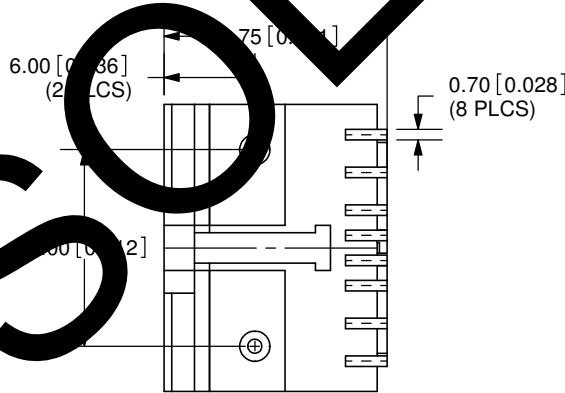
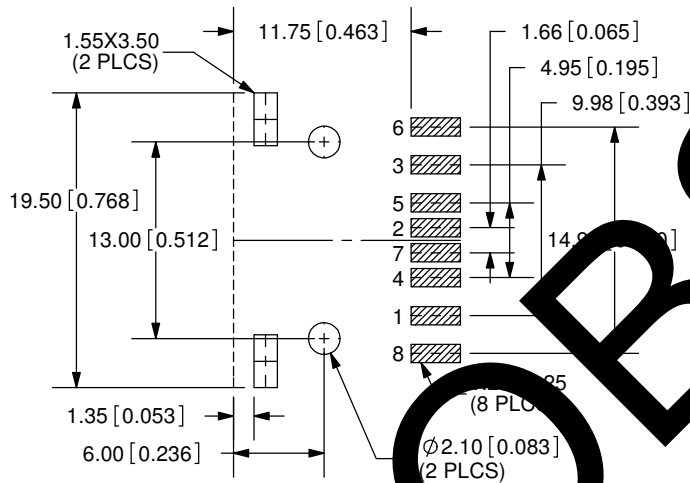
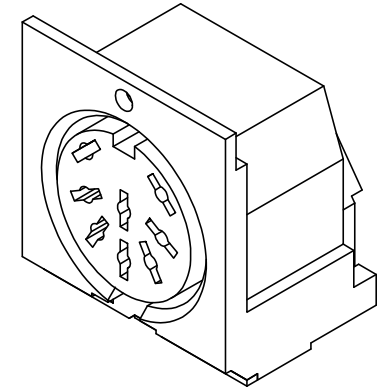
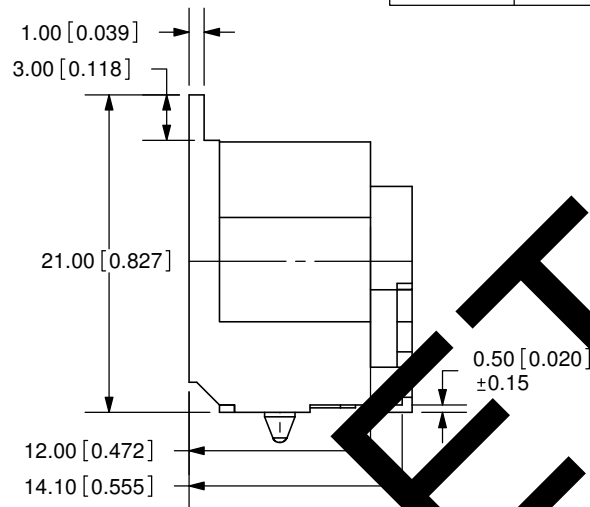
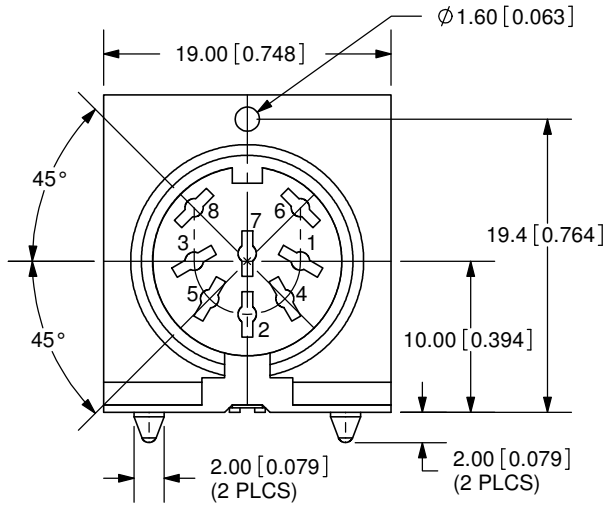


REV.	DESCRIPTION	DATE
A	NEW DRAWING	12/19/2005



PCB LAYOUT
TOP VIEW

SPECIFICATIONS:
 RATING: 24V DC @ 1A; 100V AC @ 2A
 CONTACT RESISTANCE: 30m OHMS MAX
 INSULATION RESISTANCE: 100M OHMS MIN; 500V DC
 VOLTAGE WITHSTAND: 500V AC R.M.S. FOR 1 MINUTE
 LIFE: 5,000 CYCLES

TOLERANCE:
 X.X ±0.2mm
 X.XX ±0.1mm
 X.XXX ±0.05mm



20050 SW 112th Ave.
 Tualatin, OR 97062
 Phone: 503-612-2300
 800-275-4899
 Fax: 503-612-2383
 Website: www.cui.com

TITLE: CIRCULAR DIN RECEPTACLE, SMT, 8 PIN		REV: A
PART NO. SDS-80J-SMT		UNITS: MM [INCHES]
DRAWN BY: ZRJ	APPROVED BY:	SCALE: 2:1

	MATERIAL	PLATING
TERMINALS (1-8)	Brass	Tin
EARTH TERMINAL	Phosphor Bronze	Tin
HOUSING	PBT	

PC FILE NAME:
 SDS-80J-SMT

COPYRIGHT 2007 BY CUI INC.