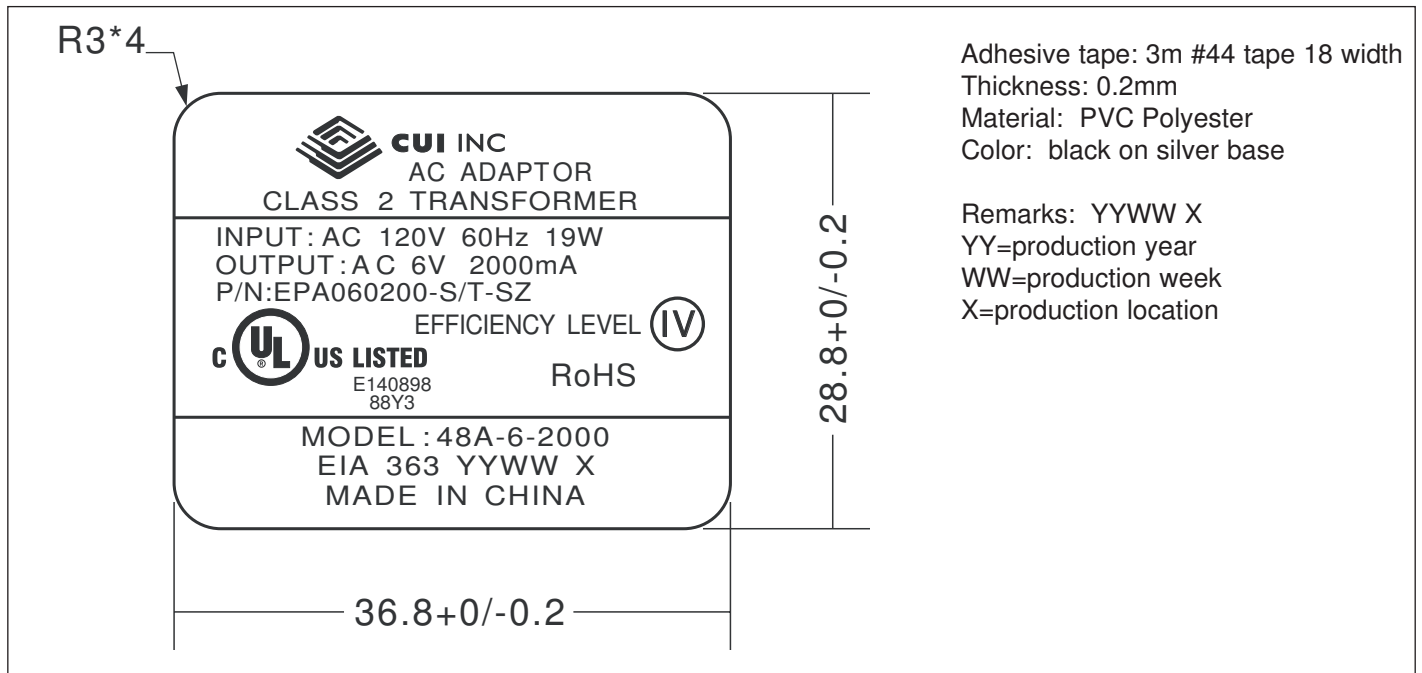



**Specifications**

Output voltage	6 V ac at 2000 mA	
Rated input voltage	120 V ac	
Primary rated voltage	120 V ac 60 Hz 19 W	
Primary exciting current	30 mA rms max.	
Secondary rated voltage & current	no load voltage (max.)	7.9 V ref
	full load voltage (2000 mA)	6 V $\pm$ 5%
Temperature rise of primary winding (full load)	70°C max. using resistance method	
Insulation resistance	$\geq$ 100 M Ohm at 500 V dc	
HI-POT test	from input to output for 1 min.	1240 V ac at 2 mA
	from input to output for 1 sec.	1600 V ac at 2 mA
	from primary to secondary winding for 1 sec.	1600 V ac at 2 mA
	from primary winding to core for 1 sec.	1600 V ac at 2 mA
	from secondary winding to core for 1 sec.	750 V ac at 2 mA
Safety standards	UL/cUL	
RoHS compliant	yes	
No load power consumption	0.5 W max.	
Efficiency	Energy Star Compliant - Efficiency Level IV	
Test conditions	Ambient temp	40°C $\pm$ 2°C
	Humidity	90-95% 96 hours at Full Load
	Rated voltage	8 hours at full load
Adapter color	Case	black
	Cord	black



**Label**

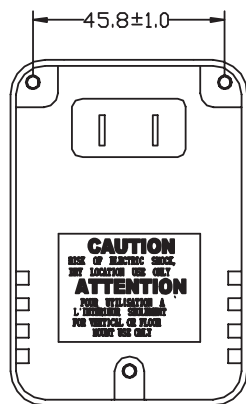
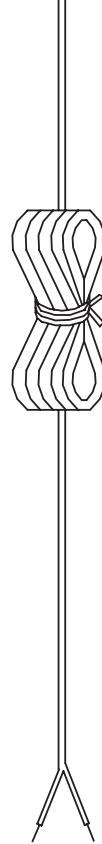
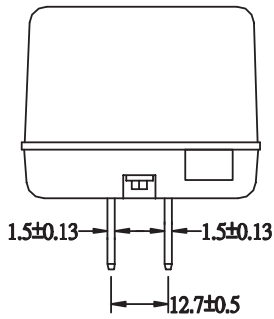
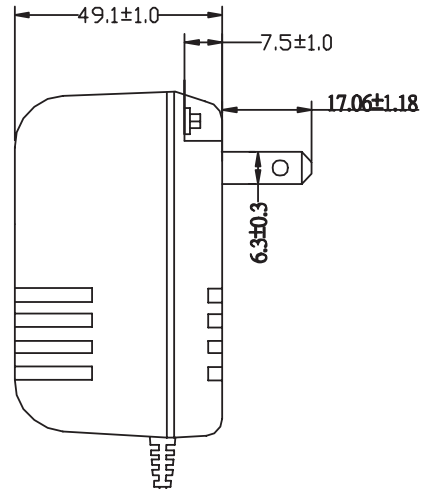
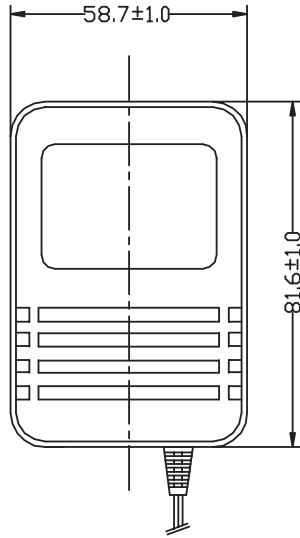




Mechanical Drawing

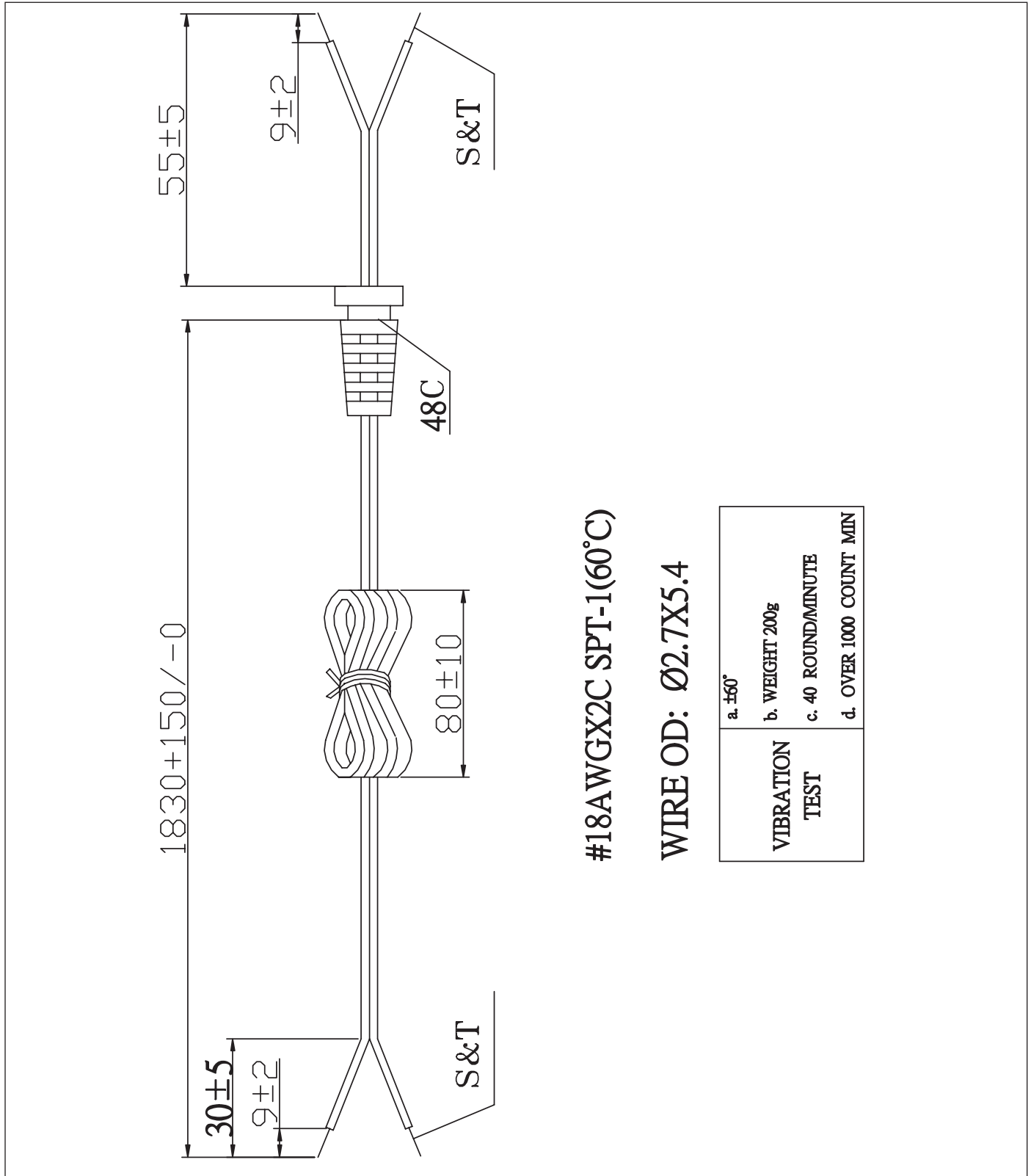
Tolerance:  $\pm 1$

Weight 419 g





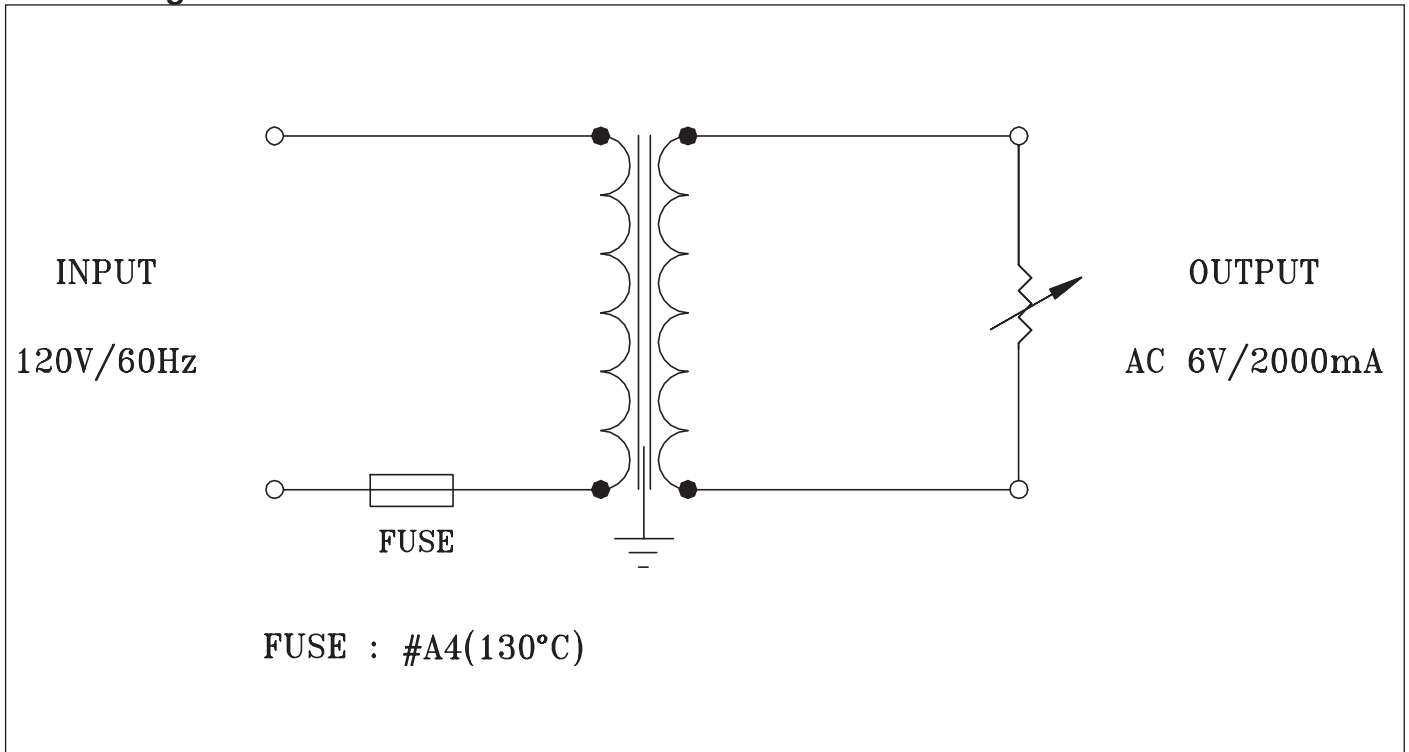
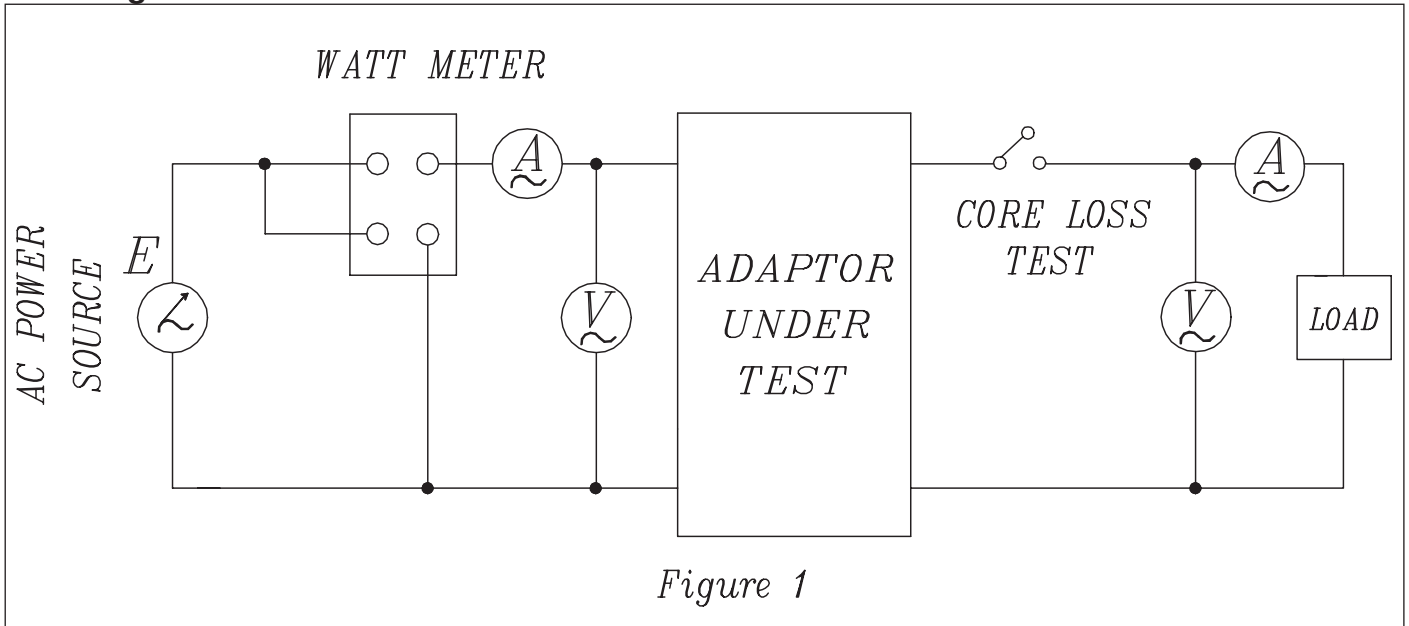
DC Cord



#18AWGX2C SPT-1(60°C)

WIRE OD: Ø2.7X5.4

VIBRATION TEST	a. ±60°
	b. WEIGHT 200g
	c. 40 ROUND/MINUTE
	d. OVER 1000 COUNT MIN

**Circuit Diagrams**

**Test Diagram**




**CUI INC**

Part No: EPA060200-S/T-SZ

Date: 5/11/2007

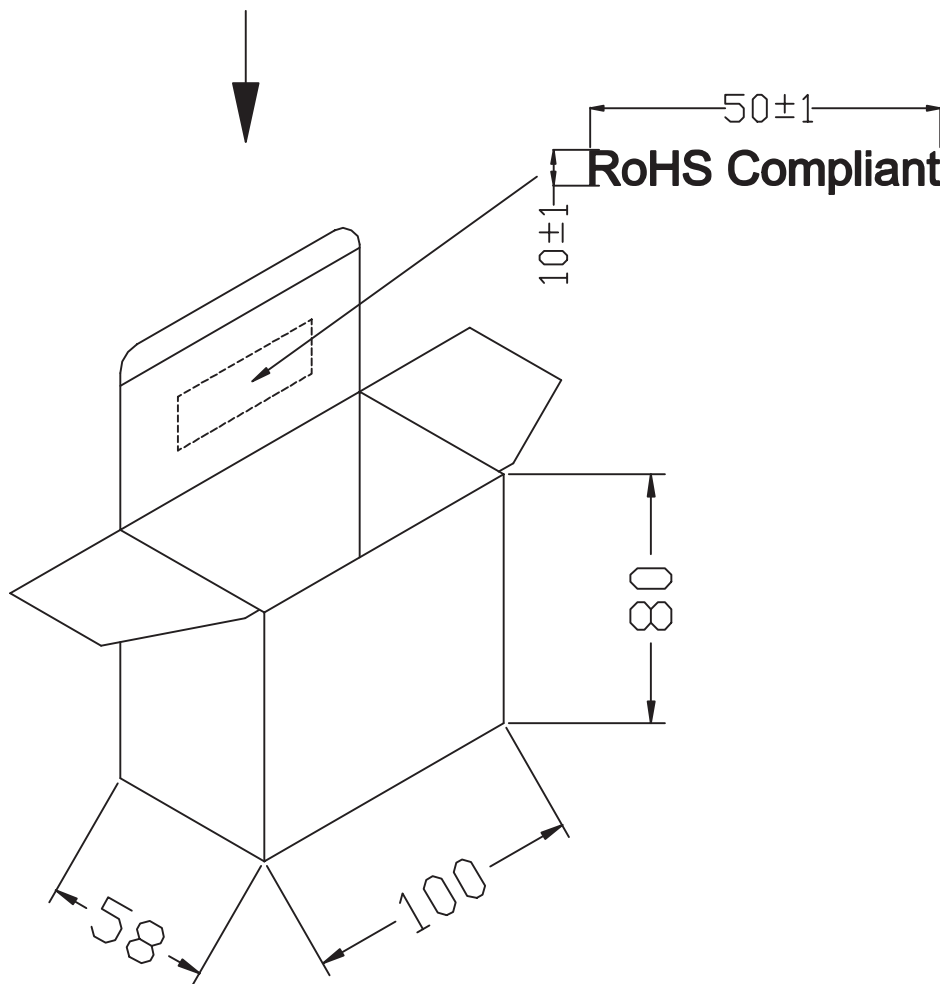
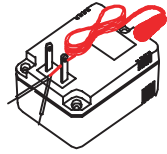
Unit: mm

Description: linear power supply

Page No: 6 of 7

### Individual Packaging

Tolerance:  $\pm 1$





**Packaging**

Tolerance: +7/-0

OUTSIDE CARTON:A=B(6mm)  
INSIDE CARTON:A-B(3mm)  
CARTON SIZE: 430x223x269mm  
Q'TY: 40pcs(10X4X1)  
N.W:16.8 KGS  
G.W:17.8 KGS  
N.W:18.8 KGS

