

PART NUMBER: EMT090250-P5P-KH

DESCRIPTION: switching power supply base unit for use with interchangeable input blades or ac power cord


INPUT

| | |
|---------------------------|------------------|
| rated input voltage | 100 V ~ 240 V ac |
| input voltage range | 90 V ~ 264 V ac |
| rated frequency | 50~60 Hz |
| frequency range | 47~63 Hz |
| rated input current | 800 mA max. |
| inrush current | 50 A max. |
| no load power consumption | 0.5 W max. |

OUTPUT

| | |
|--------------------------|--|
| output voltage | 9 V dc at 2.5 A |
| output min. current | 0 A |
| line regulation | 2% max. |
| load regulation | ± 5% |
| over current protection | auto recovery |
| short circuit protection | auto recovery |
| ripple voltage | 90 mV max. (at 20 MHz bandwidth with 22µF/50V capacitance and 104/50V ceramic capacitor) |
| efficiency | meets Energy Star / CEC Level IV |

SAFETY & EMI

| | | |
|-----------------------|--|---------------------------------|
| HI-POT | input to output | 3000 V ac at 4 mA for 2 seconds |
| | input to case | 3000 V ac at 4 mA for 2 seconds |
| insulation resistance | input to output | 50 MΩ at 500 V dc |
| safety approvals | UL60950-1 (First Edition), CAN/CSA-C22.2 No.950.95, IEC60950-1:2001, EN60950-1:2001 | |
| EMI standard | FCC part 15 class B, EN55022 (EN61000-3-2, 3), EN55024 (IEC61000-4--2, 3, 4, 6, 8, 11) | |
| RoHS compliant | yes | |

ENVIRONMENTAL

| | |
|-----------------------|----------------|
| storage temperature | -20°C ~ +70° C |
| operating temperature | 0°C ~ +40° C |
| storage humidity | 10~95% |
| operating humidity | 10~95% |

RELIABILITY

| | |
|---------------------------------|------------------------------|
| mean time before failure (MTBF) | MTBF of 50,000 hours at 25°C |
| burn-in test | 2 hours at 40°C at full load |

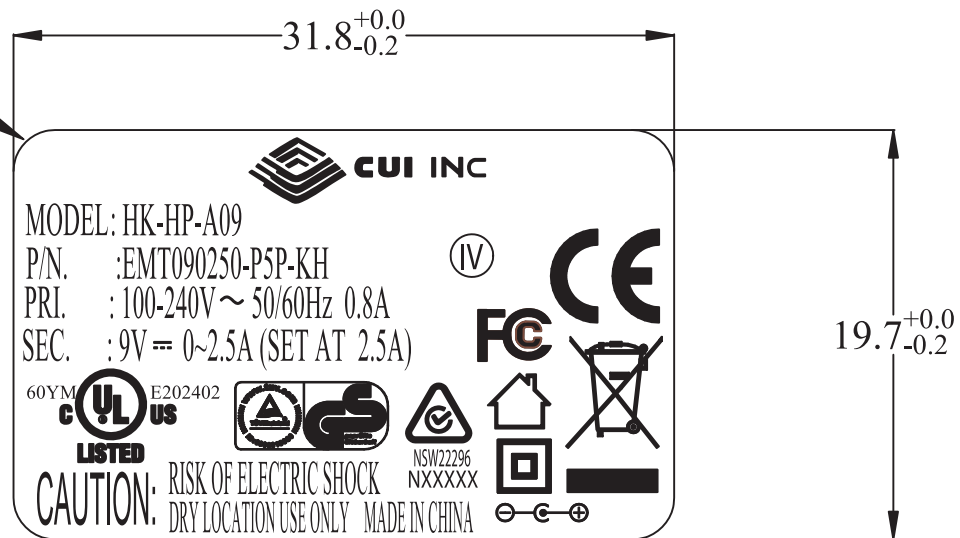
PART NUMBER: EMT090250-P5P-KH

DESCRIPTION: switching power supply base unit for use with interchangeable input blades or ac power cord

LABEL

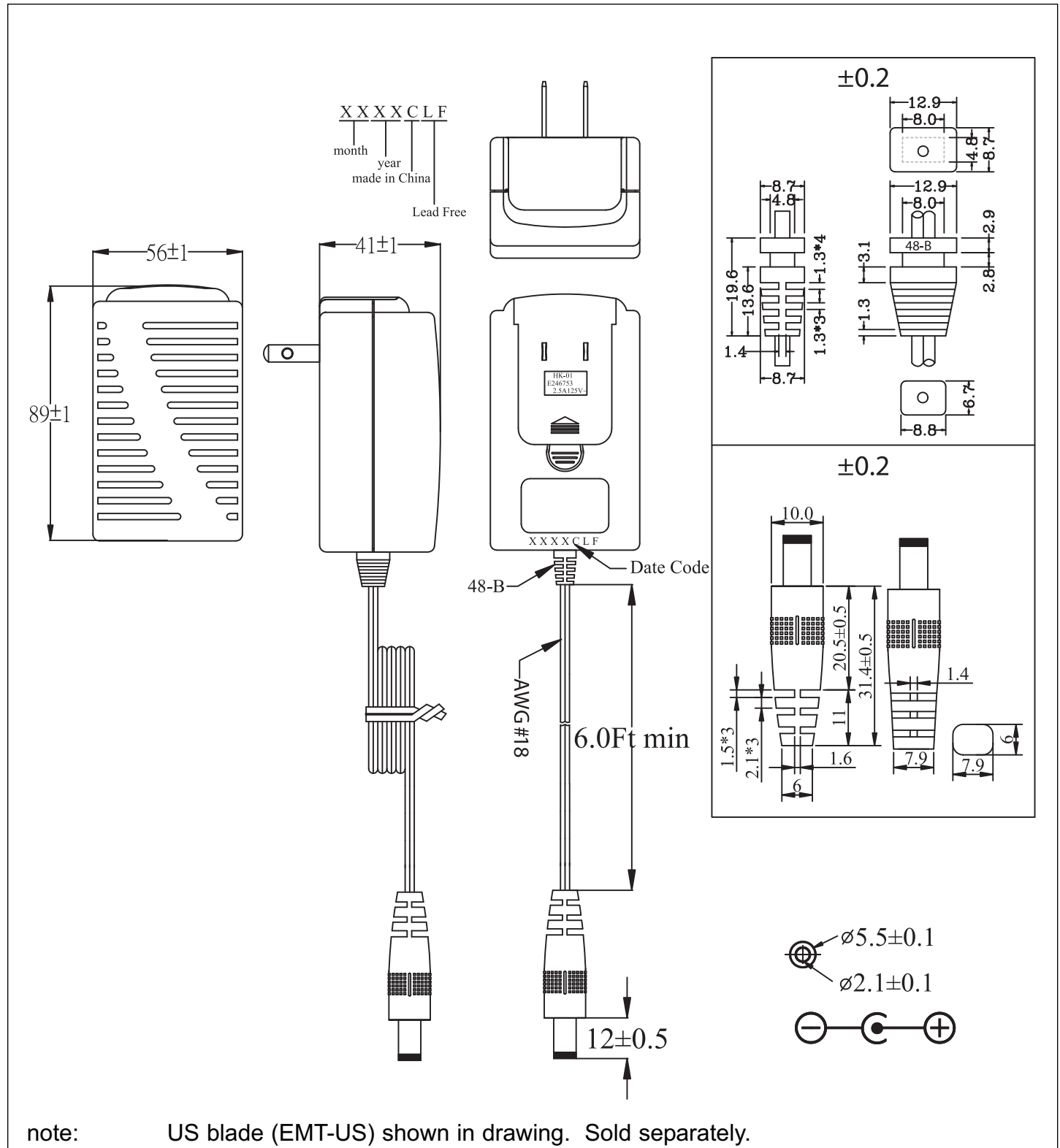
0.1mm PET NAME-PLATE:BLACK CHARACTERS WHITE BACKGROUND.

R2.0



PART NUMBER: EMT090250-P5P-KH

DESCRIPTION: switching power supply base unit for use with interchangeable input blades or ac power cord

MECHANICAL DRAWING


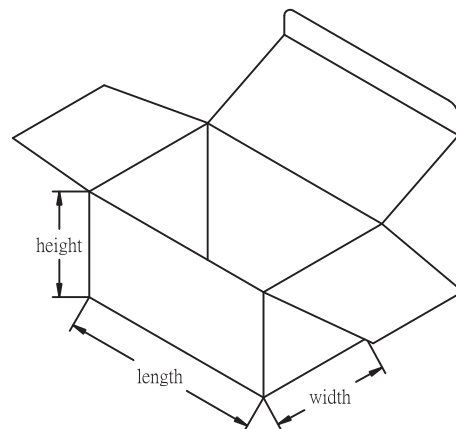
PART NUMBER: EMT090250-P5P-KH**DESCRIPTION:** switching power supply base unit for use with interchangeable input blades or ac power cord**INDIVIDUAL PACKAGING**

BOX

Length:145

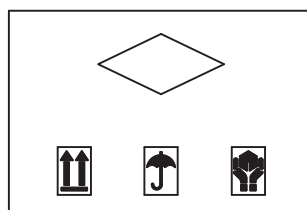
Width:75

Height:65



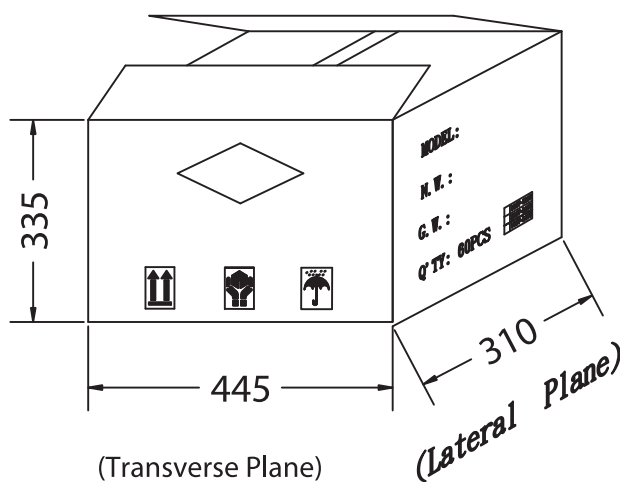
PART NUMBER: EMT090250-P5P-KH

DESCRIPTION: switching power supply base unit for use with interchangeable input blades or ac power cord

PACKAGING


MODEL:
 N.W.:
 G.W.:
 Q'TY: 60PCS

| | |
|--|-----------|
| | 100V~120V |
| | 200V~240V |
| | 100V~240V |



PART NUMBER: EMT090250-P5P-KH**DESCRIPTION:** switching power supply base unit for use with interchangeable input blades or ac power cord**ACCESSORIES (SOLD SEPARATELY)**

EMT-US (SOLD SEPERATELY)



EMT-AUS (SOLD SEPERATELY)



EMT-EU (SOLD SEPERATELY)



EMT-UK (SOLD SEPERATELY)

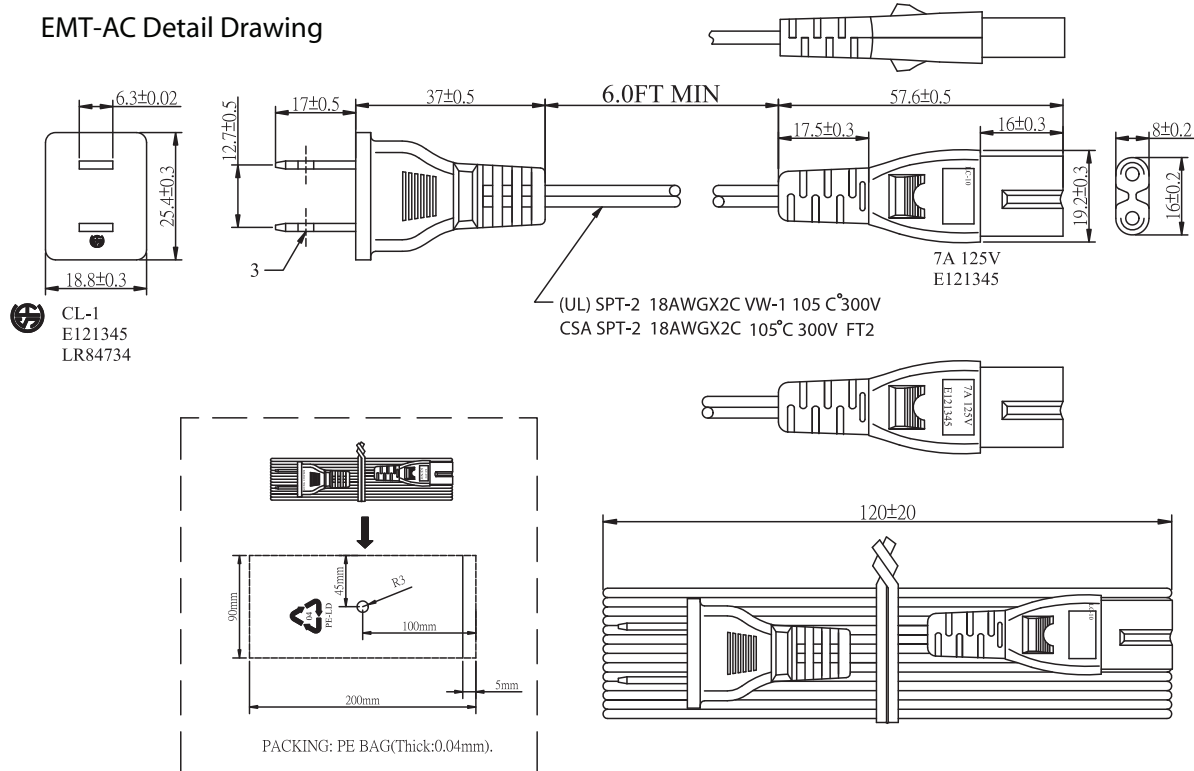
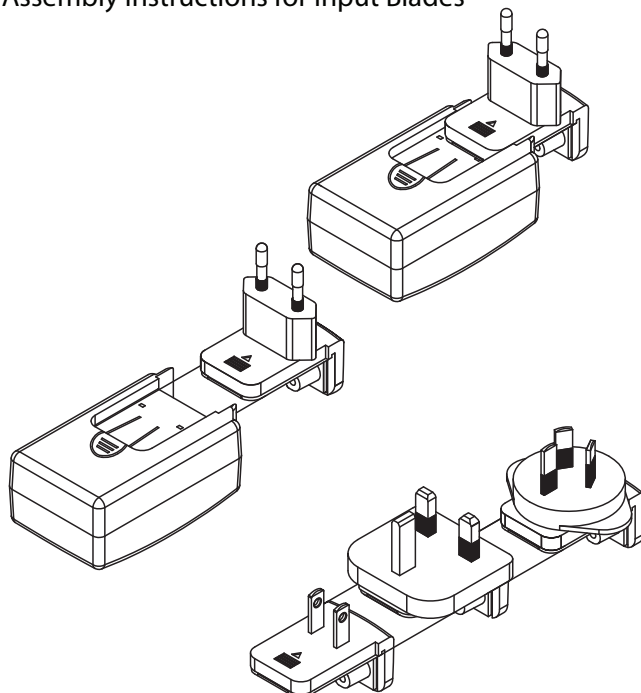


EMT-AC (SOLD SEPERATELY)



PART NUMBER: EMT090250-P5P-KH

DESCRIPTION: switching power supply base unit for use with interchangeable input blades or ac power cord

ACCESSORIES (SOLD SEPARATELY)
EMT-AC Detail Drawing

Assembly Instructions for Input Blades

WARNING!

Please do not insert the blade only.

