

**Specifications**

Output voltage	12 V dc at 800 mA	
Primary rated input	120 V ac 60 Hz 18 W	
Primary exciting current	80 mA rms max.	
Secondary rated voltage & current	no load voltage (max.)	18 V max.
	full load volatge (800 mA)	12 V \pm 5%
Temperature rise of primary winding (full load)	70°C max. using resistance method	
Insulation resistance	\geq 100 M Ohm at 500 V dc	
HI-POT test	from input to output for 1 min.	1240 V ac at 2 mA
	from input to output for 1 sec.	1600 V ac at 2 mA
	from primary to seconardy winding for 1 sec.	1600 V ac at 2 mA
	from primary winding to core for 1 sec.	1600 V ac at 2 mA
	from secondary winding to core for 1 sec.	750 V ac at 2 mA
Safety standard	UL/cUL	
RoHS compliant	yes	
Test conditions	Ambient temp	40°C \pm 2°C
	Humidity	90-95% 96 hours at Full Load
	Rated voltage	8 hours at full load
Color	Case	black
	Cord	black
	Plug top	black



Test Diagram

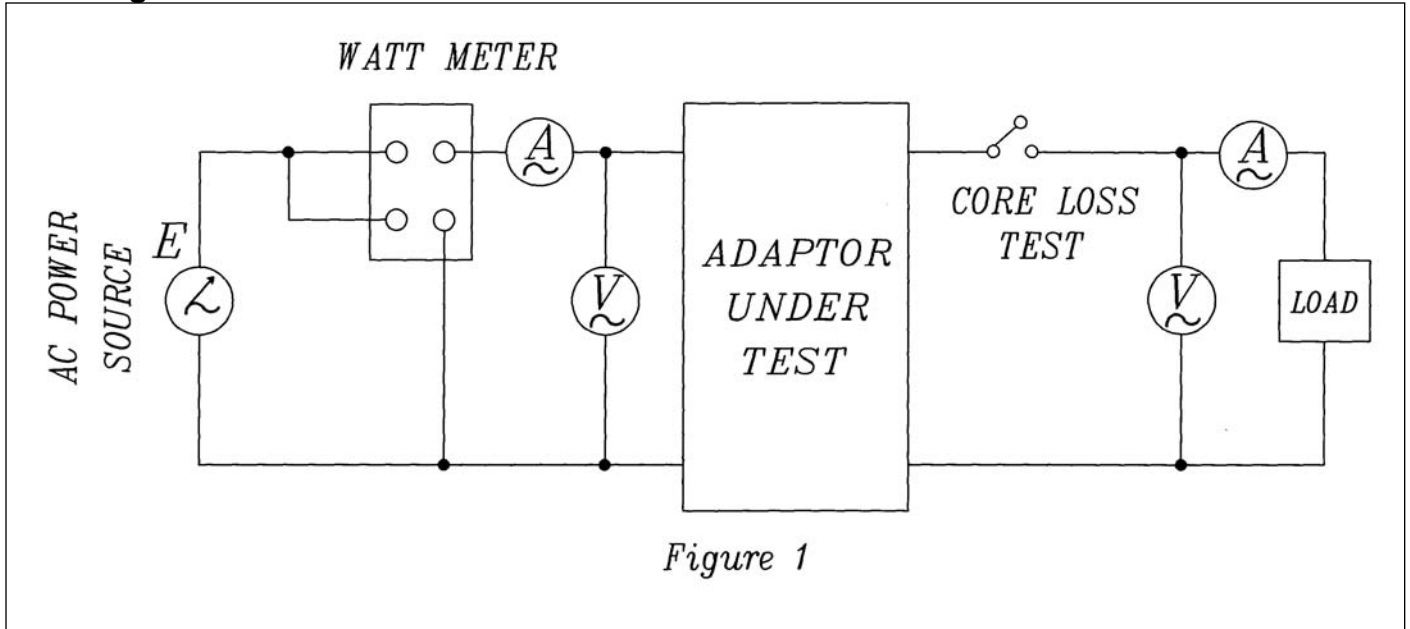


Figure 1

Label

CUI INC
AC ADAPTOR
CLASS 2 TRANSFORMER

INPUT: AC 120V 60Hz 18W
OUTPUT: DC 12V 800mA
P/N:DPD120080-P5P-SZ

UL US LISTED E140898 88Y3
 RoHS

MODEL: 48-12-800
EIA 363 YYWW X MADE IN CHINA

Adhesive tape: 3m #44 tape 18 width
 Thickness: 0.2mm
 Material: PVC polyester
 Color: black on silver base

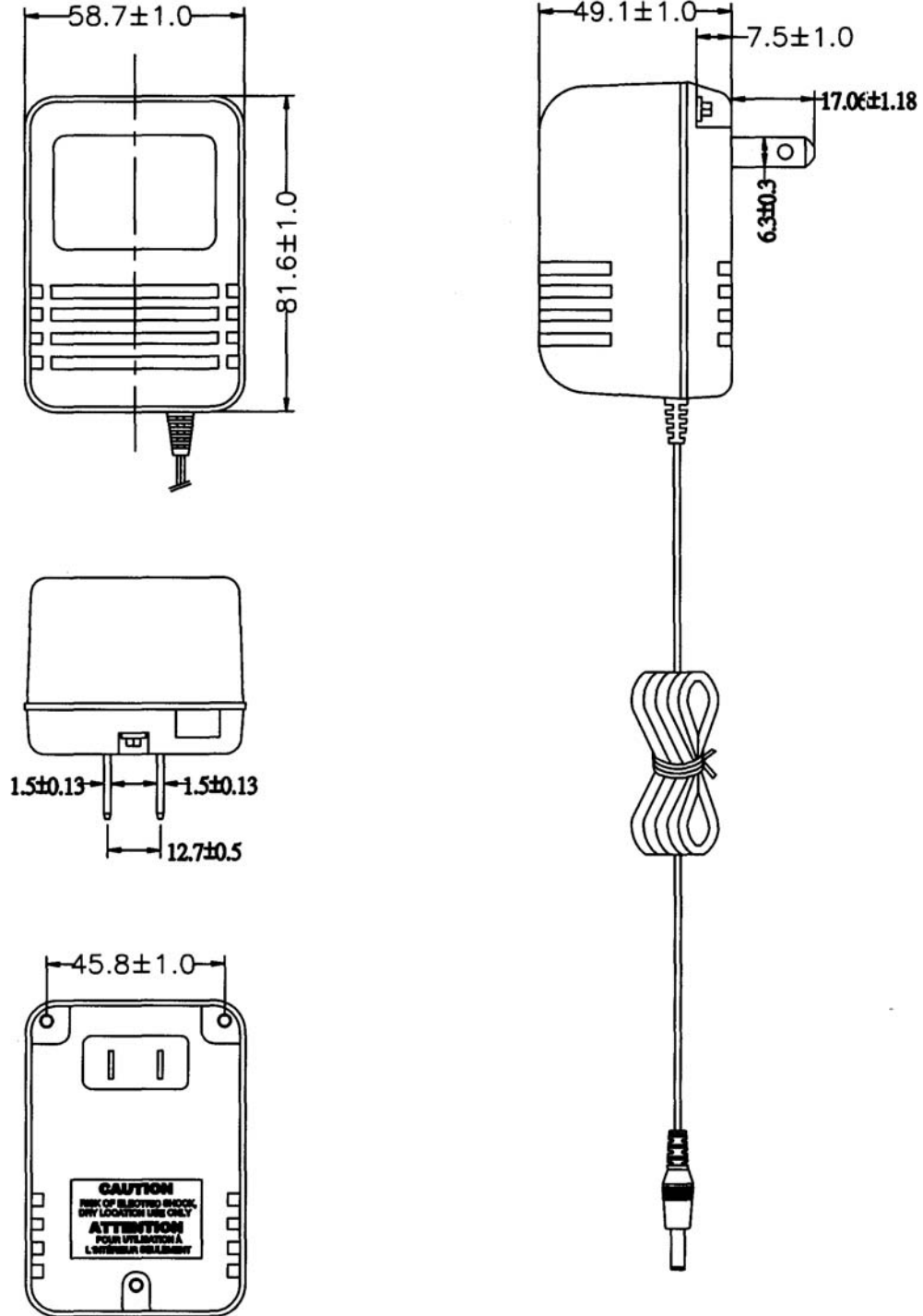
Remarks: YYWW S
 YY=production year
 WW=production week
 S=production location



Mechanical Drawing

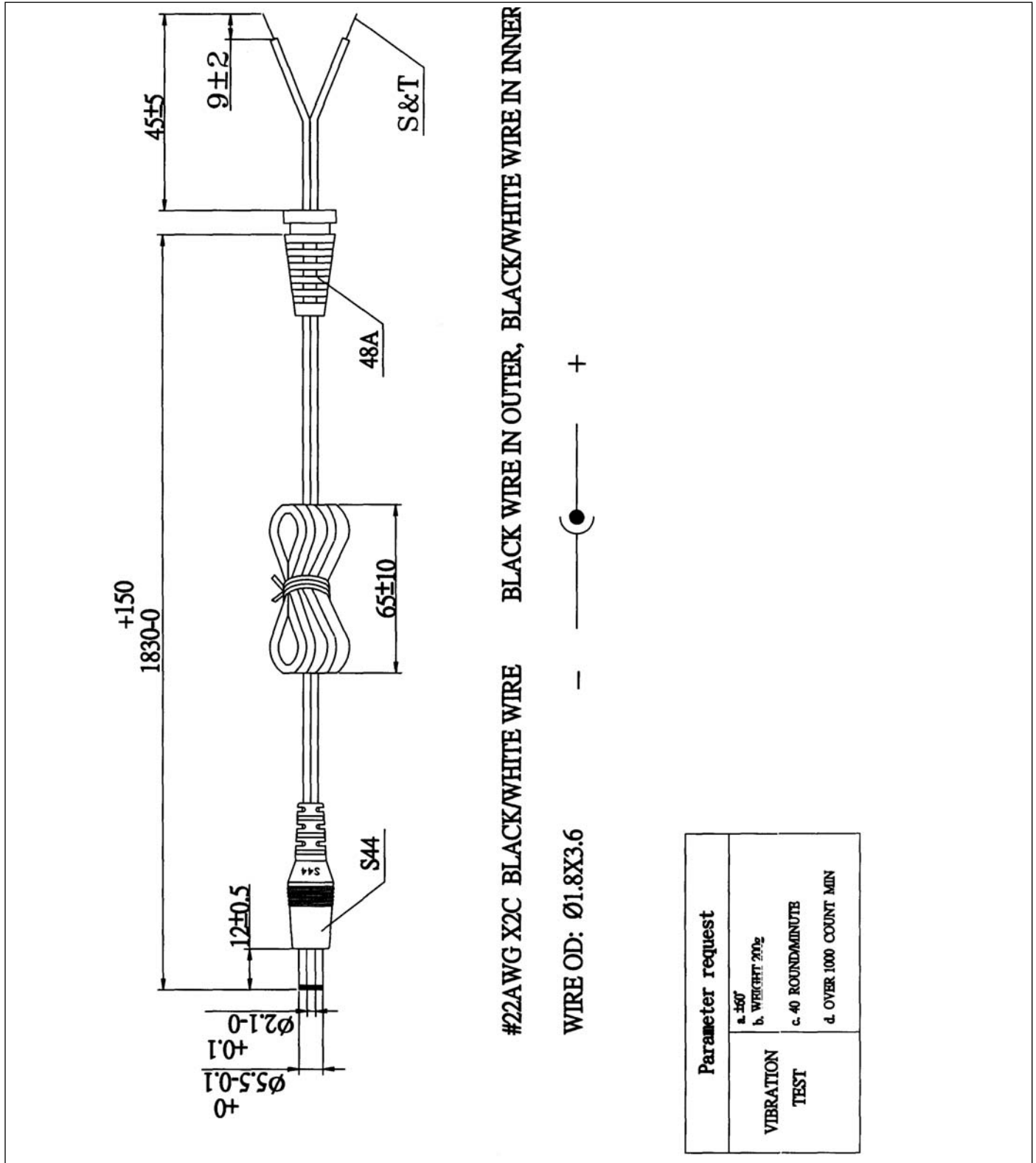
Tolerance: ± 1

Weight 390 g



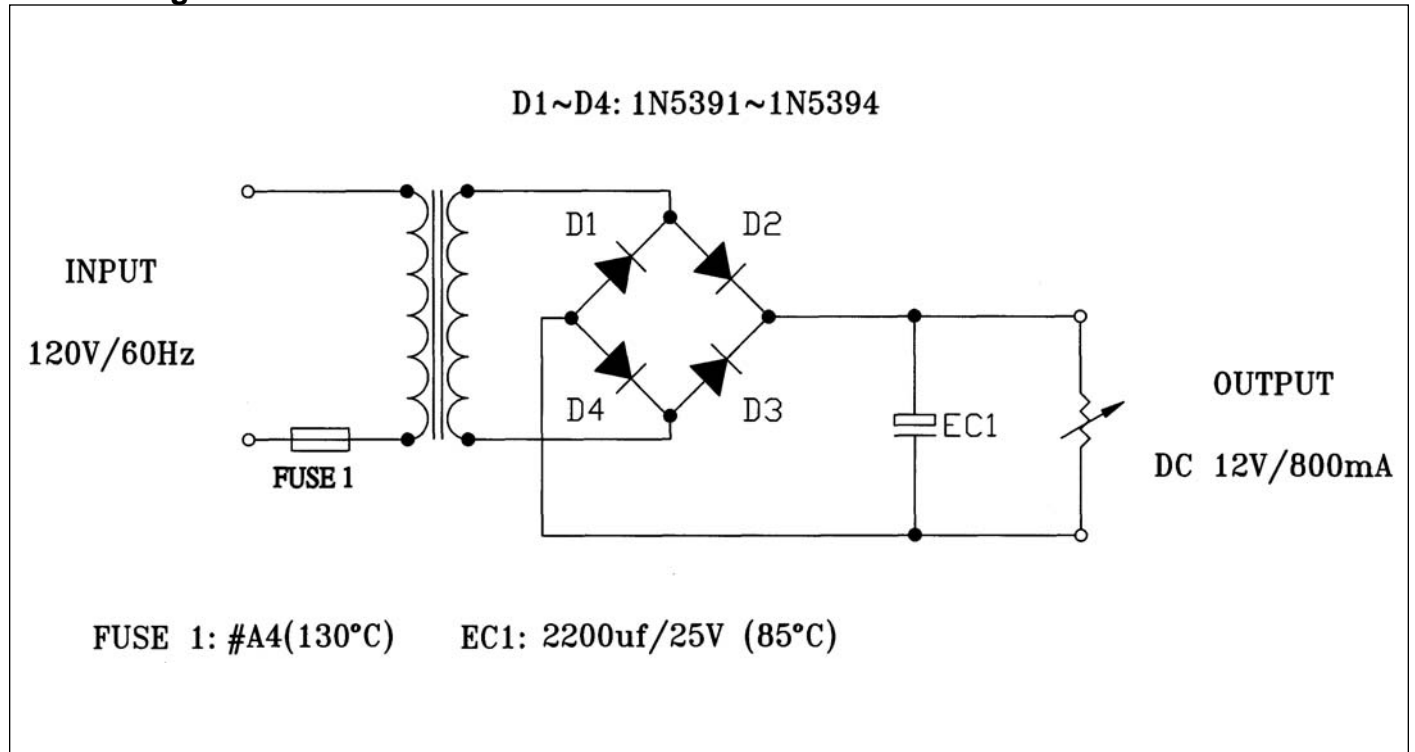


Cord





Circuit Diagrams





CUI INC

Part No: DPD120080-P5P-SZ

Date: 2/27/2006

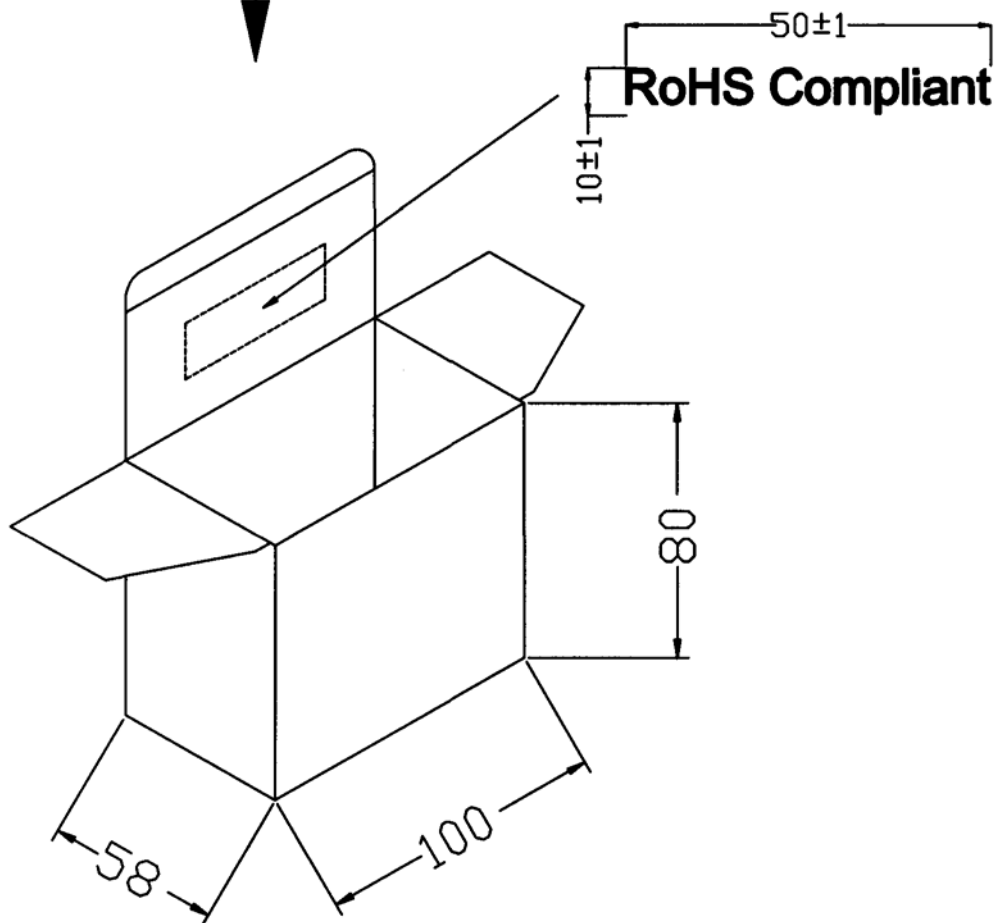
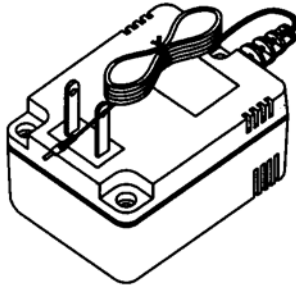
Unit: mm

Description: linear power supply

Page No: 6 of 7

Packaging

Tolerance: ± 1





Packaging

Tolerance: +7/-0

OUTSIDE CARTON:A=B(6mm)
INSIDE CARTON:A-B(3mm)
CARTON SIZE: 430x223x269mm

Q'TY: 40pcs(10X4X1)

