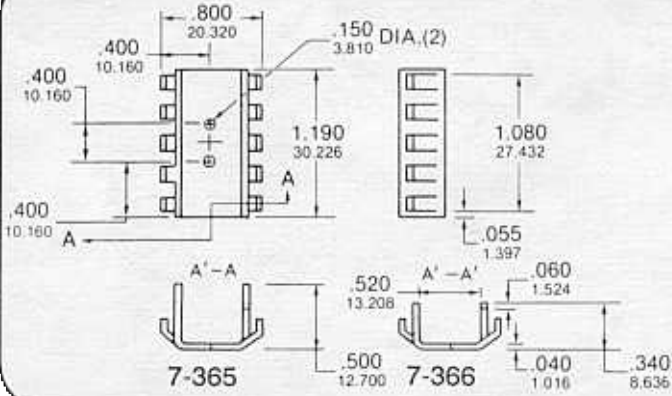
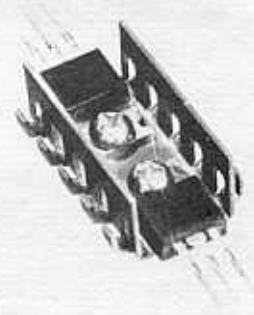
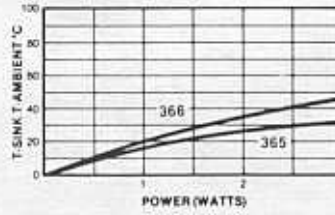


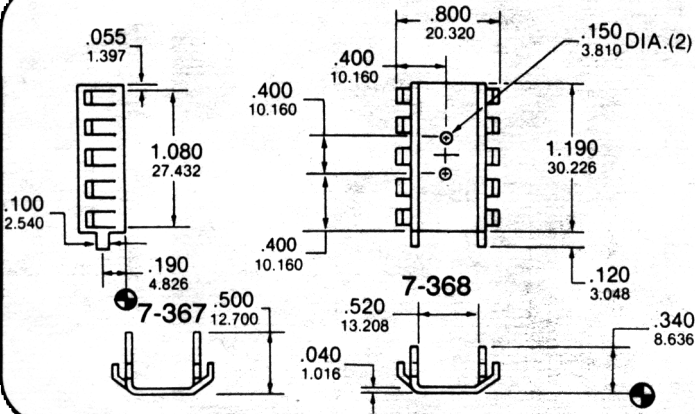
Standard Heat Sinks



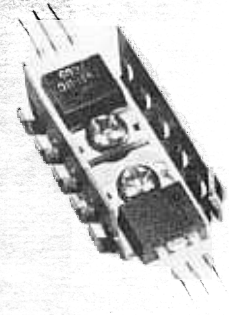
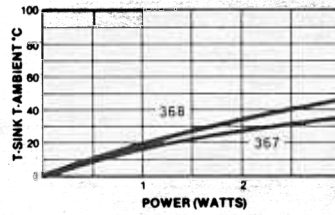
Material... 1100-H14 Aluminum
Finish..... Black Anodize



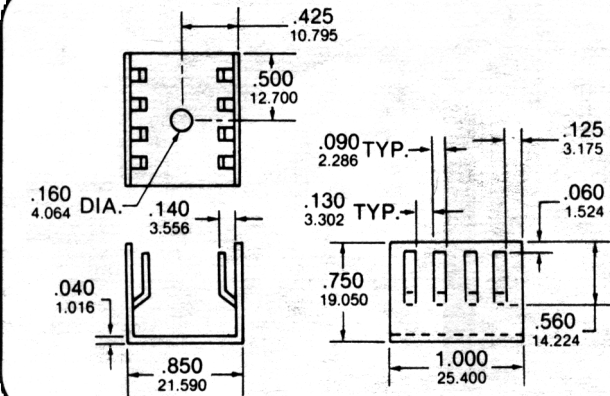
7-365 & 7-366



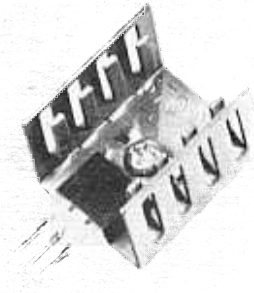
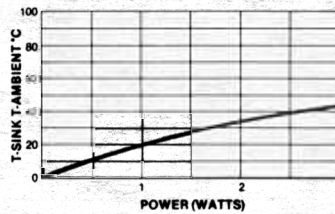
Material... 1100-H14 Aluminum
Finish..... Black Anodize
or Tin Plate



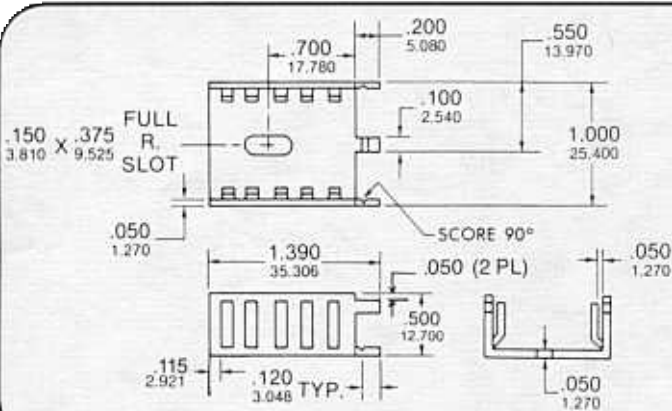
7-367 & 7-368



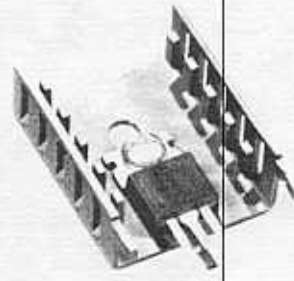
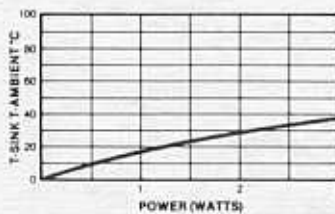
Material... 1100-H14 Aluminum
Finish..... Black Anodize



7-370



Material... 1100-H14 Aluminum
Finish..... Black Anodize
or Tin Plate



7-371

Low Power