

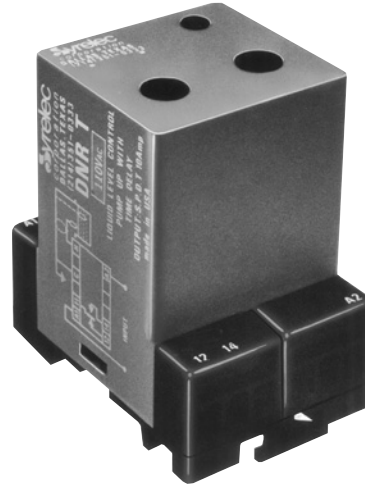
# NRT SERIES

## LIQUID LEVEL CONTROL

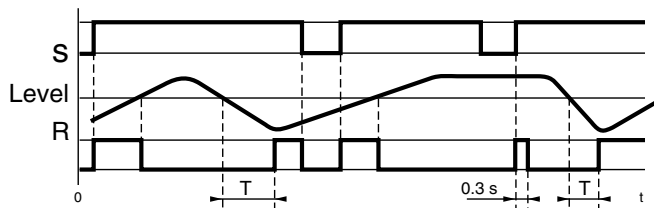
### CONSTANT LEVEL

### PUMP UP

UL listed CSA recognized



- **100 kΩ Sensitivity**
- **10 Amp SPDT Relay**
- **Maintain Constant Level**
- **Four Mounting Options**

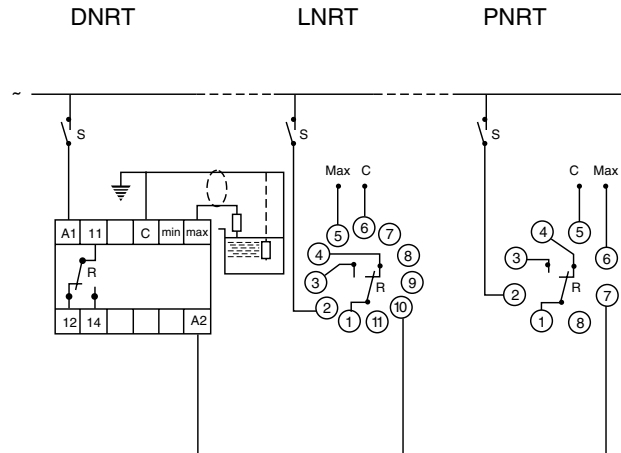


The NRT series is applied for maintaining a constant level of conductive liquid. When the liquid decreases below the probe, the relay is energized after a 4 second time delay to avoid wave disturbances. The relay de-energizes when the liquid reaches the probe. A common electrode is needed if the container is non-conductive.

**SPECIFICATIONS:**

<b>Input</b> .....	24 VAC, 48 VAC, 110 VAC 220 VAC, ± 15%, 50/60 Hz
<b>Maximum power consumption</b> ...	24 VAC: 1.5 VA 48 VAC: 1.7 VA 110 VAC: 2 VA 220 VAC: 2 VA
<b>Output</b> .....	SPDT Relay
<b>Contact material</b> .....	AgCdO
<b>Maximum loading</b> .....	10 A AC resistive 8 A Dc resistive
<b>Maximum switching voltage</b> .....	250 VAC 250 VDC
<b>Relay maximum power rating</b> .....	2500 VA 80 W
<b>Mechanical life of relay</b> .....	3 x 10 <sup>7</sup> operations
<b>Electrical life of relay</b> .....	2 x 10 <sup>5</sup> at 2200 VA resistive load
<b>Probe isolation</b> .....	Switching contact 2000 VAC Electrodes: 2000 VAC
<b>Probe sensitivity</b> .....	100 kΩ
<b>Probe voltage</b> .....	24 VAC, 60 Hz
<b>Probe current</b> .....	1 mA max.
<b>Operating temperature</b> .....	+14°F to +140°F -10°C to +60°C
<b>Weight</b> .....	7 oz. (200g)

**WIRING DIAGRAM:**



**Note:** The probe cables (max. 300ft) need not be shielded; however, it is not advisable to run the probe cables with power cables. If shielded cable is used, the shield and common should be connected.

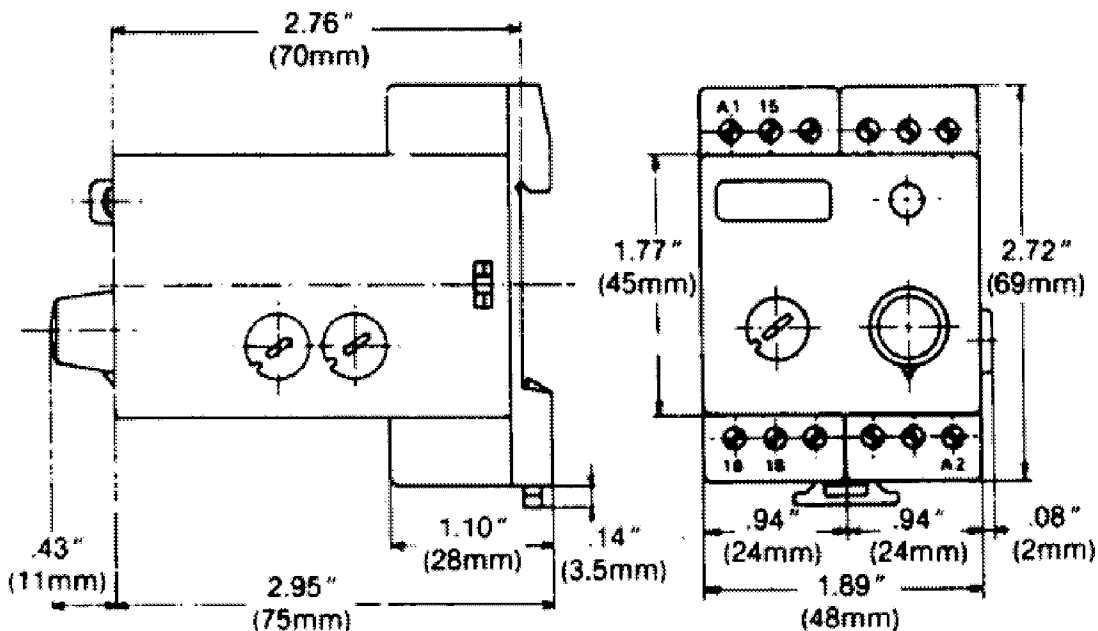
**ORDERING INFORMATION:**

<p><b>MOUNTING</b></p> <p><b>D</b> = DIN-rail or panel mounting <b>L</b> = 11 pin plug-in <b>P</b> = 8 pin plug-in <b>N</b> = open PC board</p>	<p><b>NRT SERIES</b></p> <p><b>NRT</b> = Enclosed <b>NNRT</b> = Open PC board version mounting dimensions same as NNR</p>	<p><b>110A INPUT POWER</b></p> <p><b>24A</b> = 24 VAC <b>48A</b> = 48 VAC <b>110A</b> = 110 VAC <b>220A</b> = 220 VAC</p>
---	---	---

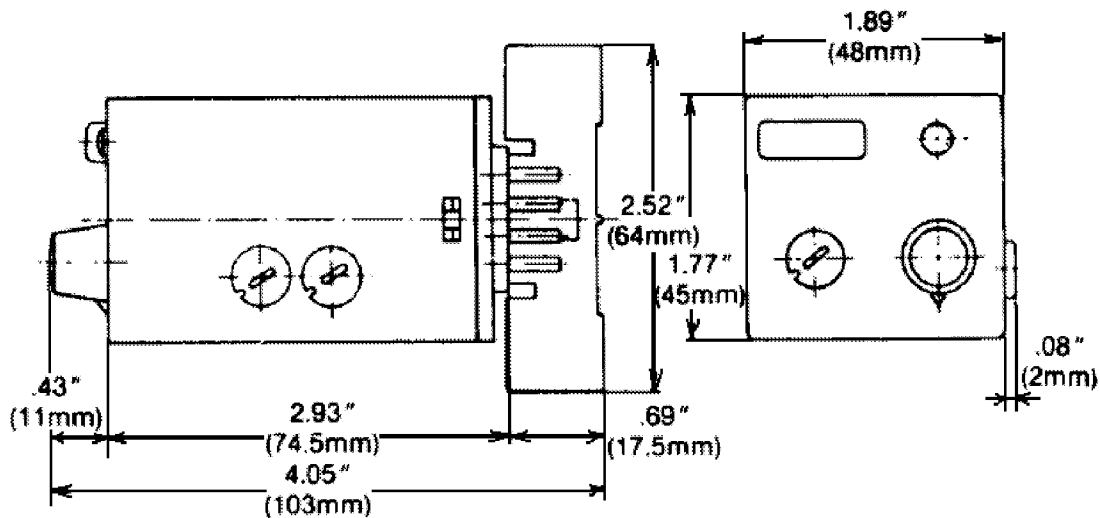
Products and specifications subject to change without notice.  
Consult factory for application assistance.

DIMENSIONS:

D - DIN-Rail



L & P - Sockets



Products and specifications subject to change without notice.  
Consult factory for application assistance.