



## 812 - 814 - 815 - 815 E digital timers Timer 814 Part number 88857005



### Relay output digital timers

- LCD or LED (815E)
- Multi-range
- Multi-voltage
- 1 or 2 relay outputs
- Reset function on panel (Timers 815, 815E)
- Data saved in the event of a break in supply (Timer 815, 815E)
- Access to programming lockable (Timer 814, 815 and 815E)
- Up or down timing mode
- Internal power supply by battery (10 years / 20 °C) (Not 815E)

### Part numbers

	Type	Functions	Connections	Relay outputs	Supply voltage	Nominal rating
88857409	Timer 812 A		8-pin plug-in	2 double timed changeover	24 V ACDC	2 x 5 A
88857406	Timer 812 A		8-pin plug-in	2 double timed changeover	110 V AC	2 x 5 A
88857400	Timer 812 A		8-pin plug-in	2 double timed changeover	220 →240 V AC	2 x 5 A
88857003	Timer 814 A, B, C, D, Di, H		8-pin plug-in	1 timed changeover	12 V DC / 24 →48 V ACDC	8 A
88857005	Timer 814 A, B, C, D, Di, H		8-pin plug-in	1 timed changeover	24 V ACDC / 110 →240 V AC	8 A
88857103	Timer 814 A, B, C, D, Di, H		11-pin plug-in	1 timed changeover	12 V DC / 24 →48 V ACDC	8 A
88857105	Timer 814 A, B, C, D, Di, H		11-pin plug-in	1 timed changeover	24 V ACDC / 110 →240 V AC	8 A
88857302	Timer 815 A1, A2, AM, AMT		11-pin plug-in	1 timed changeover or instantaneous	12 V DC42 →48 V AC/DC	2 x 8 A
88857307	Timer 815 A1, A2, AM, AMT		11-pin plug-in	1 timed changeover or instantaneous	24 V AC/ DC110 V AC	2 x 8 A
88857301	Timer 815 A1, A2, AM, AMT		11-pin plug-in	1 timed changeover or instantaneous	24 V DC220 →240 V AC	2 x 8 A
88857311	Timer 815E	A1, A1C, A2, A2C, AM, AMT, B, BM, C, CM, D, Di, DiM, Dpause, H, HM, T, TM, W, WM	11-pin plug-in	2 double timed changeover	12-24 V AC/ DC100 →240 V AC	2 x 5 A

### Specifications

Number of digits	
Height of digits	TIMER 812 - 814 - 815 : 8 mm TIMER 815E : 7mm
Timing ranges	
Repetition accuracy (with constant parameters)	TIMER 812 - 814 - 815 : ± 0,03 % ± 20 ms TIMER 815E : ± 0,01 %
Display precision	TIMER 812 - 814 - 815 : ± 0,03 % ± 20 ms TIMER 815E : ± 0,01 %
Min. control pulse	50 ms
Maximum reset time by de-energisation during timed delay	50 ms
Maximum reset time by de-energisation after timing	50 ms
Nominal rating	
Max. breaking voltage	TIMER 812 - 814 - 815 : 250 V AC 30 V DC TIMER 815E : 250 V AC 20 V DC
Maximum power rating (resistive)	TIMER 814 - 815 : 2000 VA - 190 W TIMER 812 : 1250 VA - 120 W TIMER 815E : 1500 VA - 100 W
Maximum admissible current	15 A < 0,01 s
Minimum current	TIMER 812 - 814 - 815 : 250 V AC 30 V DC 100 mA TIMER 815E : 500 mW (10 V / 5 mA)
Electrical life at I max., 250 V AC resistive (cycles)	10 <sup>5</sup>
Max. permitted number of operations at 1 max 250 V AC resistive per hour	600
Mechanical life (operations)	TIMER 812 - 814 - 815 : 5 x 10 <sup>6</sup> TIMER 815E : 20 x 10 <sup>6</sup>
Voltage variation	
Immunity from micro power cuts	< 0,03 s
Max. absorbed power	0.5 W / 12 V 1 VA / 24 V 0.5 W / 24 V 3.5 VA / 110 V 1 W / 48 V 11 VA / 220 V TIMER 815E : Max. 3 W
Temperature limits use (°C)	TIMER 812 - 814 - 815 : -10 °C →+60 °C TIMER 815E : 0 °C →+60 °C
Temperature limits stored (°C)	TIMER 812 - 814 - 815 : -30 °C →+70 °C TIMER 815E : -30 °C →+80 °C

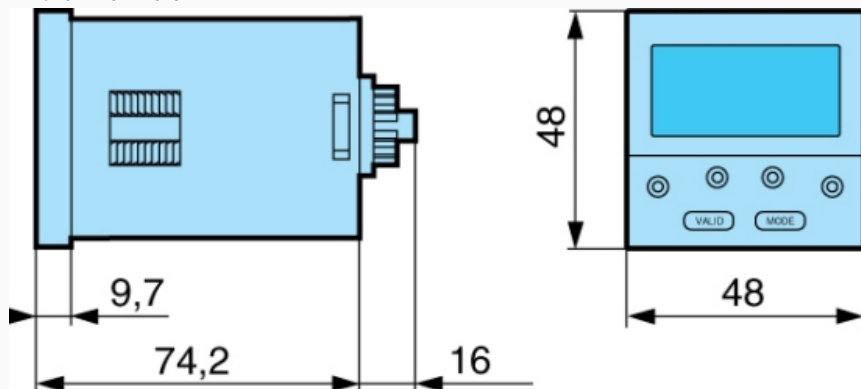
Degree of protection front face	TIMER 812 - 814 - 815 : IP65 TIMER 815E : IP30
Insulation according to standard VDE 0010-IEC 255 group C	EN61812-1 - IEC255-5
Protection class according to UTE C 20010 - IEC 529 - DIN 40050	•
Conformity to standards IEC 255 - VDE 0435 - 2021	•
Mounting Front panel, by clip	•
Mounting base-mounted on socket	•
Material	Self-extinguishing UL 94 grade V0
Weight (g)	TIMER 814 : 100 TIMER 812 - 815 : 140 TIMER 815E : 120

### Accessories

Accessories	Code
8-pin solder-connected plug	25622301
11-pin solder-connected plug	25622076
Spring clips (pack of 2)	79237739
11-pin connector base	25622080
8-pin connector base	25622130
11-pole rear base	79694002

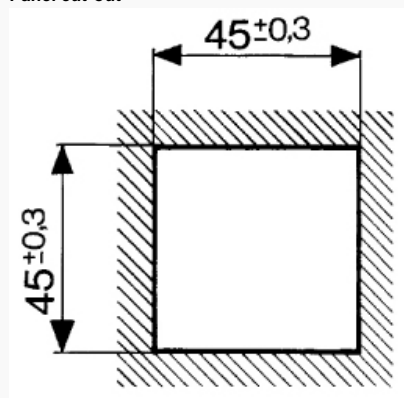
### Dimensions (mm)

#### Timer 812 - 814 - 815



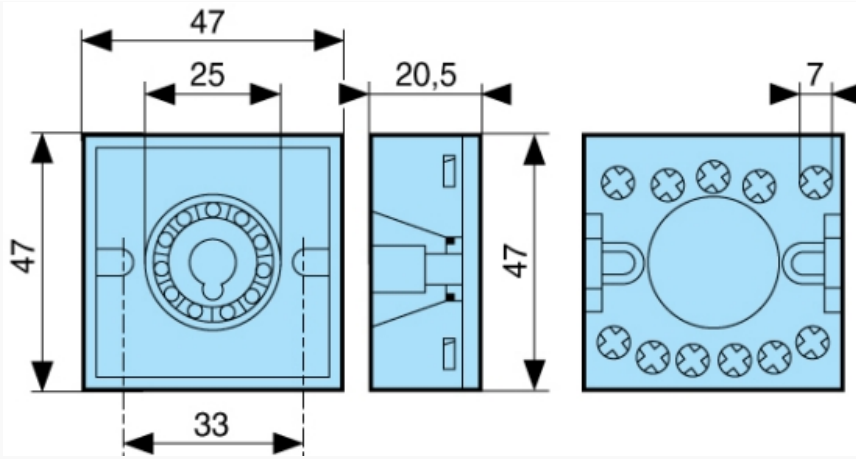
### Dimensions (mm)

#### Panel cut-out

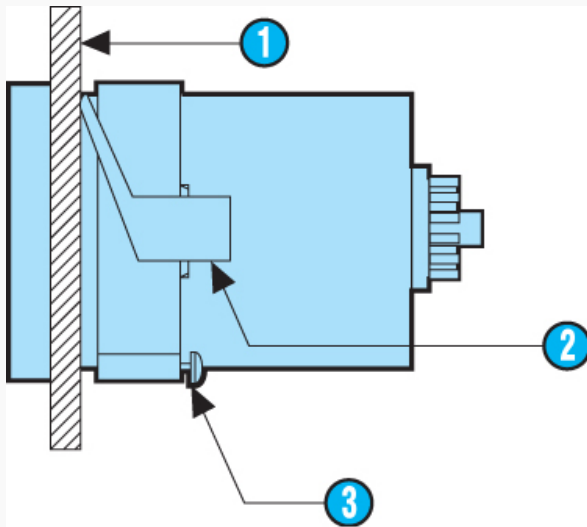


### Dimensions (mm)

11-pole rear base  
79694002  
Panel-mounted



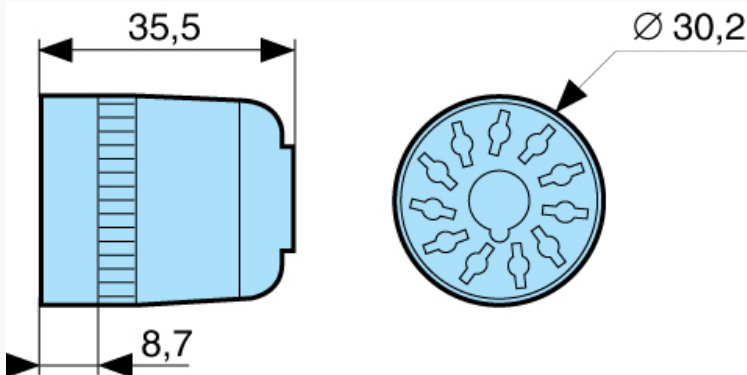
Dimensions (mm)



N°	Legend
1	Panel thickness 1 to 3,5 mm
2	Clip for panel-mounting
3	Positioning screw

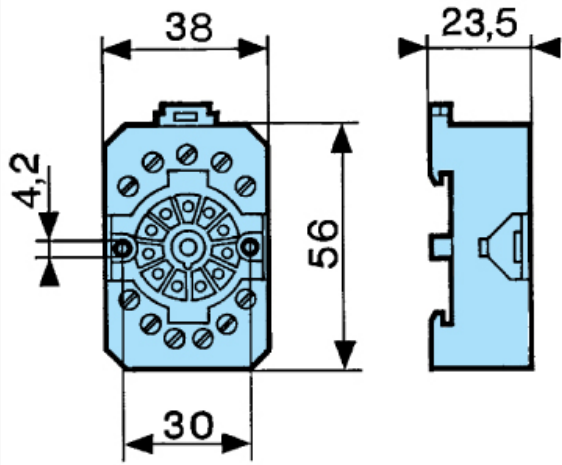
Dimensions (mm)

8-pin or 11-pin solder-connected plug  
25 622 076 - 25 622 301



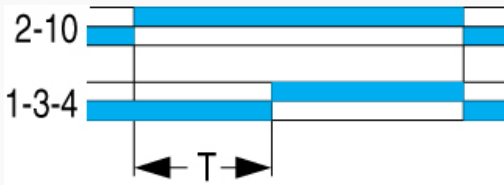
Dimensions (mm)

Connector socket  
11-pin 25622080  
8-pin 25622130



**Curves**

**Function A**

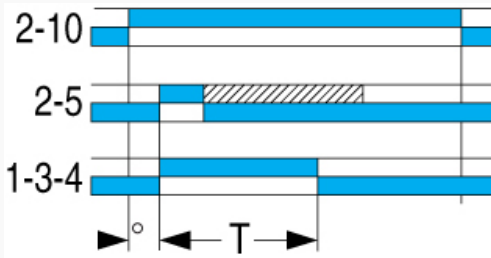


**Function A**

Delay on energisation  
1 timed relay

**Curves**

**Function B**

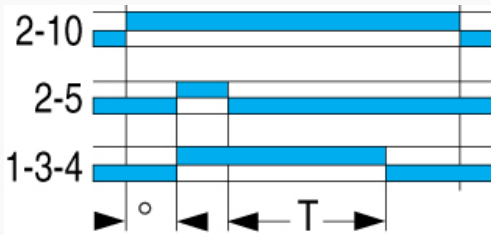


**Function B**

Timing on impulse (one shot)

**Curves**

**Function C**

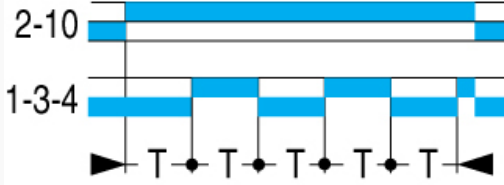


**Function C**

Timing after impulse (delay off)

**Curves**

**Function D**

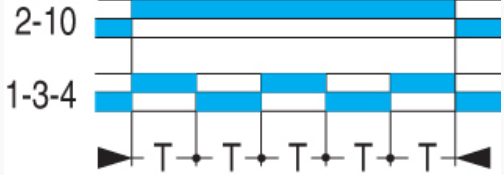


**Function D**

Flip-flop

**Curves**

**Function Di**

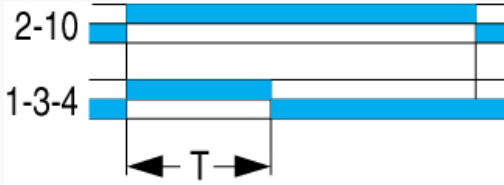


**Function Di**

Flip-flop

**Curves**

**Function H**

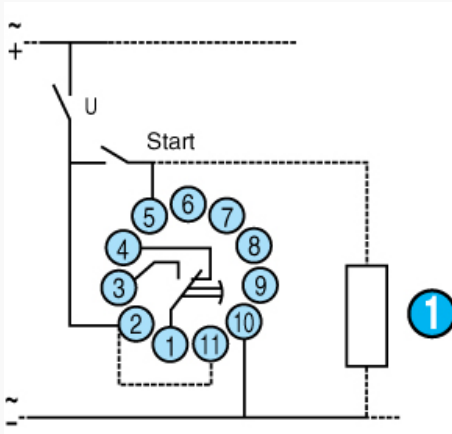


**Function H**

Timing or energisation

**Connections**

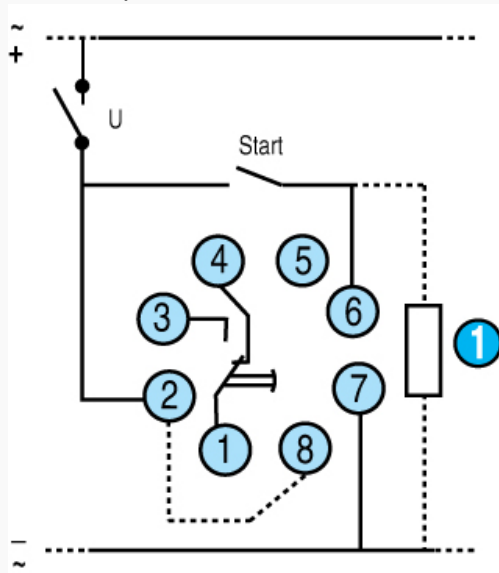
**Timer 814 - 11-pin**



N°	Legend
1	Other loads may be connected in parallel

Connections

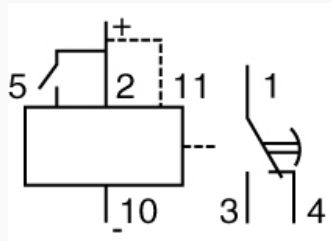
Timer 814 - 8-pin



N°	Legend
①	Other loads may be connected in parallel

Connections

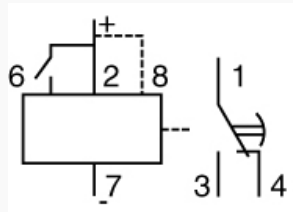
Timer 814 - 11-pin



N°	Legend
☒	Supply
☒	Bridge (88 857 003-88 857 005)
☒	Control contact or reset
☒	Timed output contact

Connections

Timer 814 - 8-pin



N°	Legend
☒	Supply
☒	Bridge (88 857 103-88 857 105)

	Control contact reset
	Timed output contact