

87 610 150 SERIES

ELAPSED TIME INDICATOR

- Voltage Input Version
- 6 Digit .3" High LCD Display
- 4 Selectable Time Ranges:
 - Hours, 1/10 Hours
 - Minutes, 1/10 Minutes
 - Seconds, 1/10 Seconds
 - Hours, Minutes, Seconds
- NEMA 4 Front Panel



GENERAL FEATURES:

The 87 610 150 Series is an elapsed time indicator in a DIN-sized (24 x 48mm) enclosure. The start/stop input can be a 5 to 50 VAC/DC and 48 to 240 VAC voltage pulse. The unit is powered by an internal lithium battery which can be disconnected via a dip-switch for storage purposes.

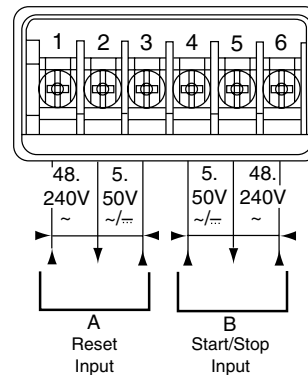
SPECIFICATIONS:

Display	6 Digit LCD
Display Height	0.3"
Accuracy	±50 PPM
Input	
Start/Stop and Reset Inputs	5 to 50 VAC/DC 48 to 240 VAC
Min. Closure Time	40 ms
Power Supply	Internal lithium battery (5 year life)
Connection	Screw Terminal
Front Panel Rating	NEMA 4 (IP66)
Operating Temperature	+14 to 122°F (-10 to 50°C)
Storage Temperature	-13 to 158°F (-25 to 70°C)
Weight	2.1 oz. (60g)

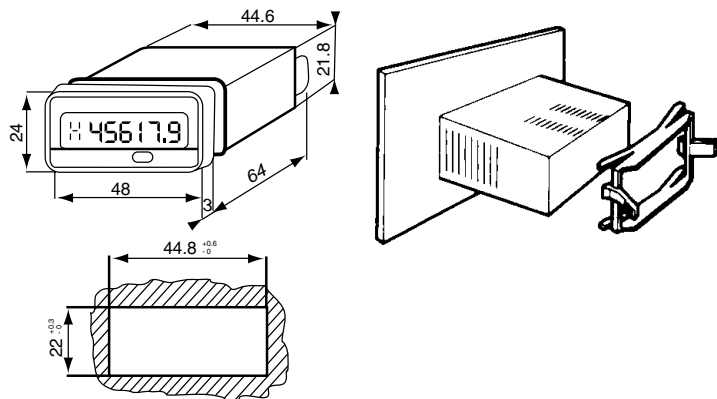
WIRING:

87 610 150

- 1 - 48 to 240 VAC Reset Input
- 2 - OV Reset Input
- 3 - 5 to 50 VAC/DC Reset Input
- 4 - 5 to 50 VAC/DC Start/Stop Input
- 5 - OV Start/Stop Input
- 6 - 48 to 240 VAC Start/Stop Input



DIMENSIONS: (mm)



ORDERING INFORMATION:

Voltage Input Version 87 610 150

Products and specifications subject to change without notice.
Consult factory for application assistance.