

EWS / EWS2 EWS2 Part number 84873004



Product replaced by the new EWS2 84 873 034

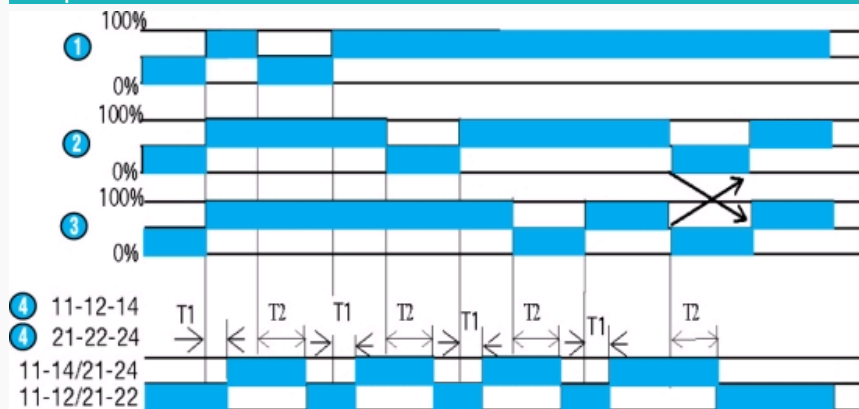
Part numbers

Type	Output relay
84 873 004 EWS2	2 changeovers

Specifications

Operating range	200 →500 VAC
Operating range	3 AC 230...440 V
Frequency	50 / 60 Hz +/- 1 Hz
Maximum consumption	25 VA
Output relay	1 or 2 changeovers
Type of contacts	No cadmium
Nominal rating	8 A
Maximum breaking voltage	250 V AC
Max. voltage	440 V AC
Nominal breaking capacity	2000 VA
Min. breaking current	10 mA / 5 V
Electrical life (number of operations)	AC 12 : 10 ⁵ at 8A/250 VAC
Maximum rate (at full load)	360 operations / hour
Mechanical life (operations)	2 x 10 ⁷
Pick-up delay T1	200 ms
Turn-off delay T2	300 ms in the event of phase failure
Connection capacity - without ferrule	2 x 2,5 mm ² 1 x 4 mm ²
Connection capacity - with ferrule	2 x 1,5 mm ²
Max. tightening torque	1 Nm (screw M3 / IEC/EN 60947-1)
Operating temperature range (°C)	-20 →+50
Storage temperature (°C)	-30 →+70
Housing material	Self-extinguishing
Protection (IEC/EN 60529) - Casing	IP40
Protection (IEC/EN 60529) - Term. block	IP20
Dielectric strength (IEC/EN 60255-5)	2,5 KV / 1 mn / 1 mA / 50 Hz
Insulation coordination (IEC/EN 60664-1)	Overvoltage category III, degree of pollution 3
Weight (g)	110

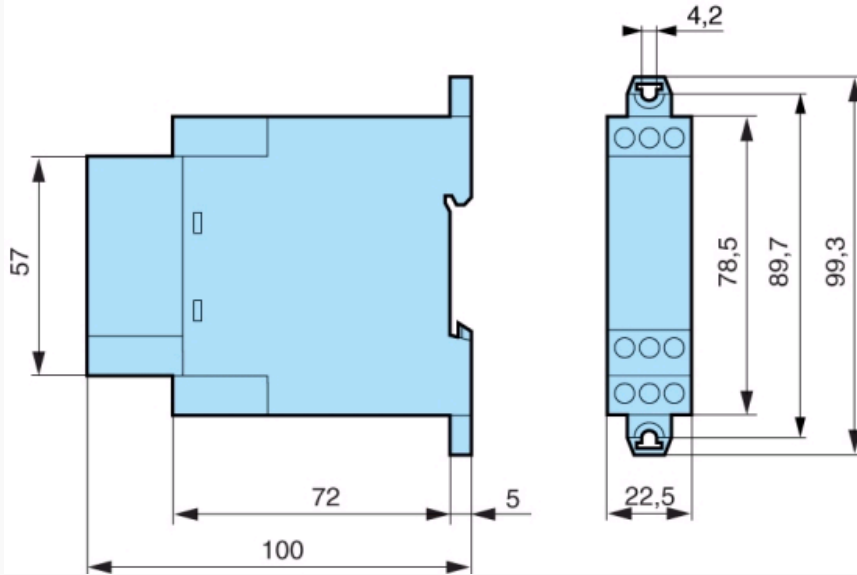
Principles



N°	Legend
1	Phase L1
2	Phase L2
3	Phase L3
4	Relay

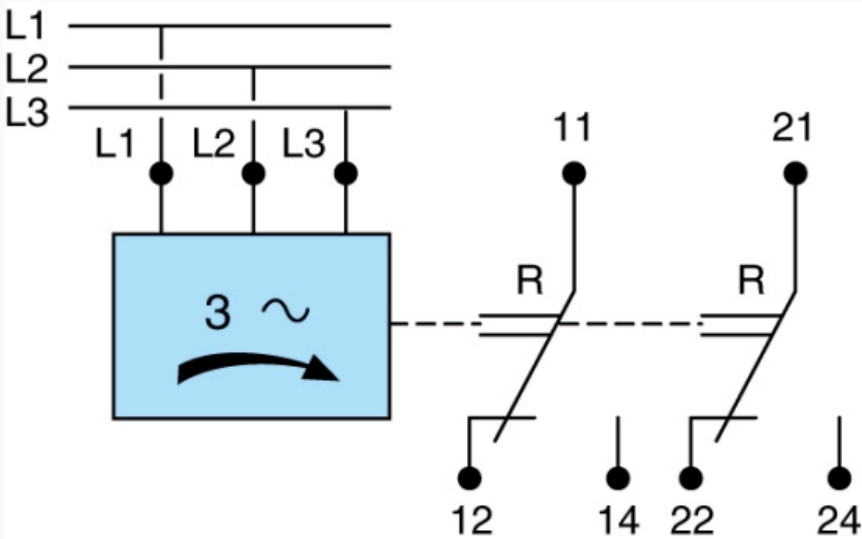
Dimensions (mm)

EWS / EWS2



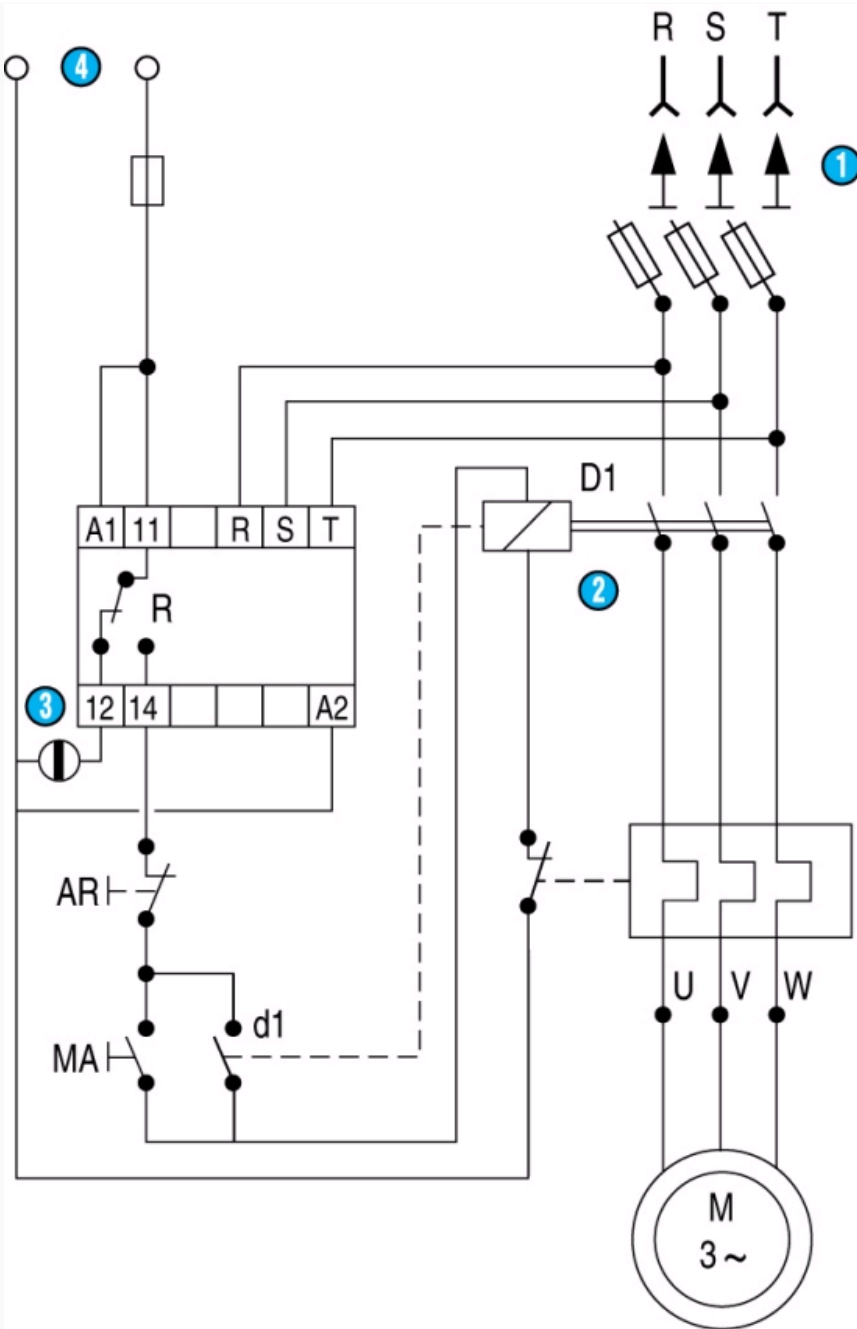
Connections

EWS2



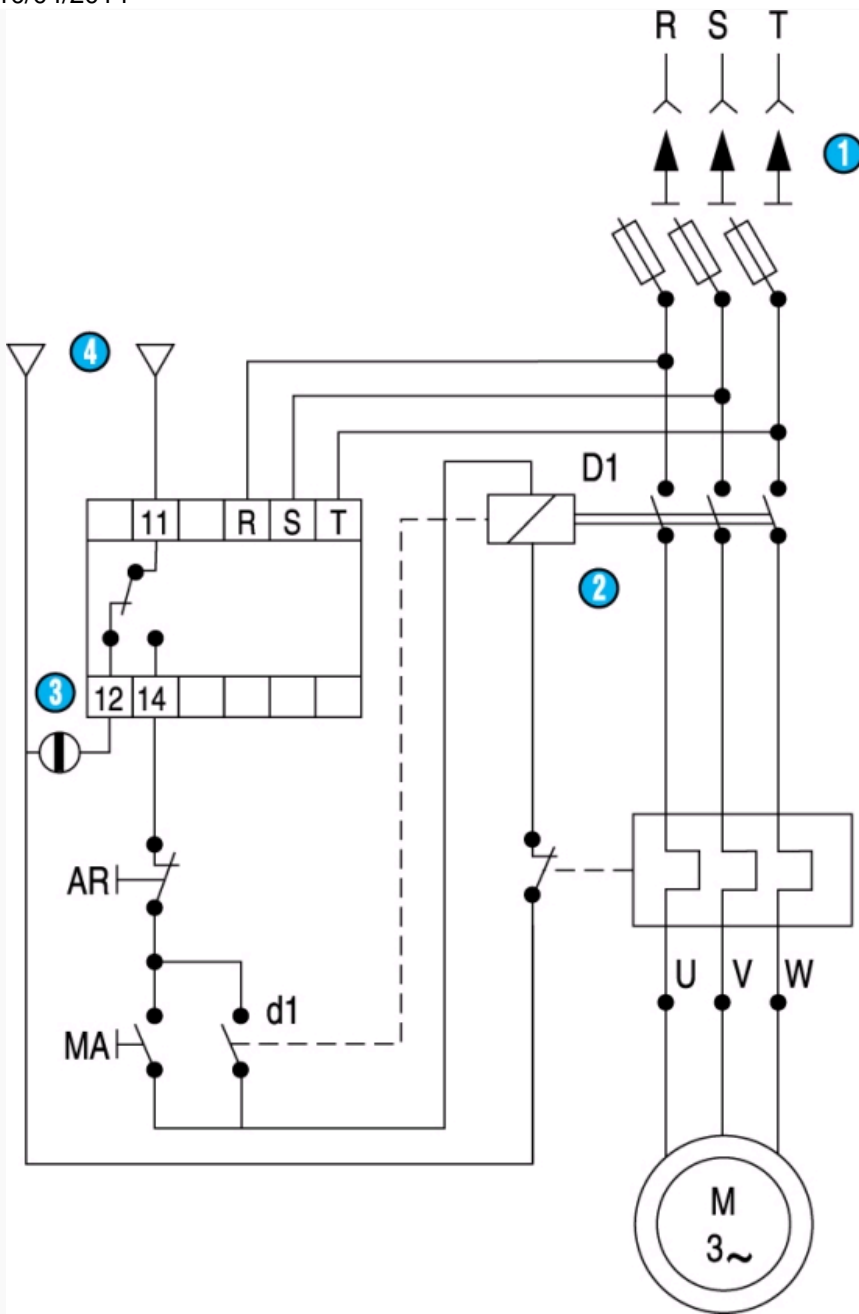
Connections

EWS



N°	Legend
1	Isolating switch
2	Contactor
3	Alarm
4	Auxiliary power supply

Connections
EWS



Surveillance moteur triphasé réenclenchement manuel après disparition du défaut détecté

N°	Legend
1	Isolating switch
2	Contacteur
3	Alarm
4	Auxiliary power supply for contactor coil and signalling