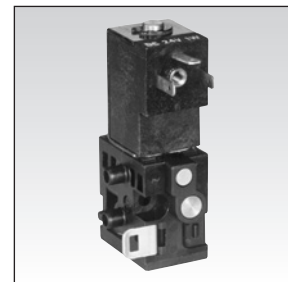
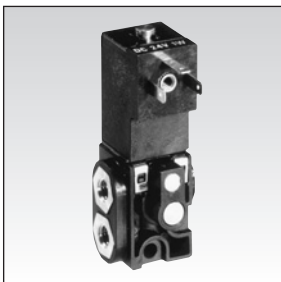


Standard 3/2 miniature solenoid valves for fluids and inert gases

- All connections on one face
- Small size



Mounting

Individual

Bank end valves (1 pair)

Intermediate valve

Part numbers

Orifice diameter	CV (KV)	psi	Adjustment range	Power	NC	NO	NC	NO	NC	NO
(0.8 mm)	.2 (0.3)	15>120	(1>8 bar)	1W	81 548 010	81 548 051	81 549 010	81 549 051	81 549 510	81 549 551
(0.8 mm)	.2 (0.3)	15>120	(1>8 bar)	2W	81 548 011		81 549 011		81 549 511	
(1.2 mm)	.4 (0.6)	21" lg.4	(-0.9>3 bar)	2W	81 548 012		81 549 012		81 549 512	
(1.5 mm)	.4 (0.8)	0.30	(0>2 bar)	2W						

Standard features

Voltage	24V ---
Electrical connections	2.8 x 0.5 blade terminals (W7D5) at 9.4 mm centres
Fluid connection	tapped holes M5
Manual override	by impulse
Pressure indicator	without

General characteristics

Response time	5 to 15 ms
Operating temperature	- 5 °C +50 °C
Viscosity range	up to 30 cst
Vibration resistance	up to 5 g
Air flow rate (at 2 bars)	15 to 40 NI/min
Maximum switching rate	30 Hz
Weight	32.5 g
	35 g
Body material	Glass-reinforced polyamide 6.6
Mechanical life (operations)	1.5 x 10 ⁷
UL and cUL approval	MH 15085

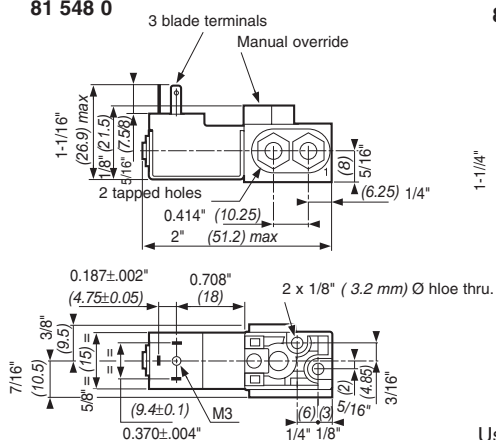
Accessories for 3/2 miniature solenoid valves

Connector for solenoid valve (see page 5/11)	81 516 082
Visual indicators (see page 5/11)	24 V-50/60 Hz DC 48 V-50/60 Hz AC 110 V-50/60 Hz AC 220 V-50/60 Hz AC
LED seal (see page 5/11)	12-24 V ~ ---
	81 513 052 81 513 055 81 513 058 81 513 059 81 513 064

Dimensions

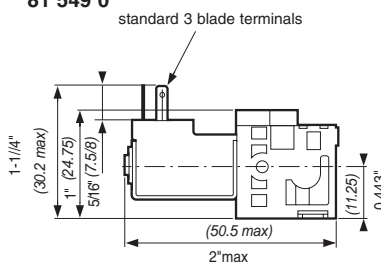
Individual

81 548 0



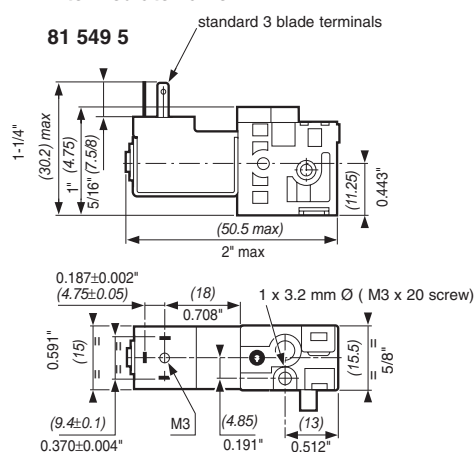
Bank end valves (1 pair)

81 549 0



Intermediate valve

81 549 5



Use (metric) dimensions for critical data

Other information	To order, specify :						
For options see page 7/4	<table border="1"> <tr> <td>Standard products</td> <td>1 Part number</td> <td>2 Accessory</td> </tr> <tr> <td>Standard products, non stocked</td> <td colspan="2">Example : Standard 3/2 miniature solenoid valve 81 548 010 - LED seal 81 513 064</td> </tr> </table>	Standard products	1 Part number	2 Accessory	Standard products, non stocked	Example : Standard 3/2 miniature solenoid valve 81 548 010 - LED seal 81 513 064	
Standard products	1 Part number	2 Accessory					
Standard products, non stocked	Example : Standard 3/2 miniature solenoid valve 81 548 010 - LED seal 81 513 064						

Products and specifications subject to change without notice.
Consult factory for application assistance.