

Sub-bases for ISO size 1 control valves 5/2 and 5/3



Part numbers

Single sub-base (with clips) _____
 Single sub-base with side connections _____

81 543 006 **81 543 206**

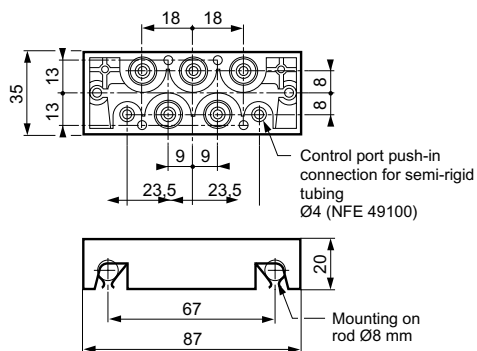
1

Characteristics

Connection	push-in for semi-rigid tubing (NFE49100) tapped hole	Ø 6 mm	Ø 8 mm
Weight	(grams)	950	950

Dimensions

81 543 006 - 81 543 206



- Port
- 1= supply
 - 2= output port at rest
 - 3= exhaust port 2
 - 4= output port on actuation
 - 5= exhaust port of 4
 - 12= rest pilot
 - 14= actuation pilot

use (metric) dimensions for critical data

Other information	To order, specify :
	<p>Standard products 1 Part number</p> <p>Example : Sub-bases for ISO control valves - 81 543 006</p>
	<p>Standard products non-stocked</p>

Products and specifications subject to change without notice.

Order/Technical Support – Tel: (800) 677-5311 / FAX: (800) 677-3865 / www.crouzet-usa.com