

**Cornell Dubilier**

Cornell Dubilier Marketing, Inc  
Liberty, South Carolina  
TEL: 864-843-2277 FAX:864-843-3800

Engineering

Catalog Number: 383LX153M080N082

Customer Part Number: None

Date: 07/08/15

Capacitance: 15000 $\mu$ F

Tolerance: -20% + 20%

Working Volts: 80VDC

Surge Volts: 100VDC

Leakage Current @ 25°C: 3286 $\mu$ A

ESR @ 120Hz @ 25°C: 0.025 $\Omega$  max.

Ripple Current @ 120Hz, 105°C: 5.97A

Diameter (D): 40 + 1.0 mm max.

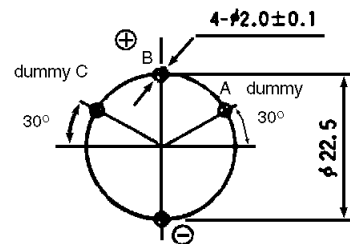
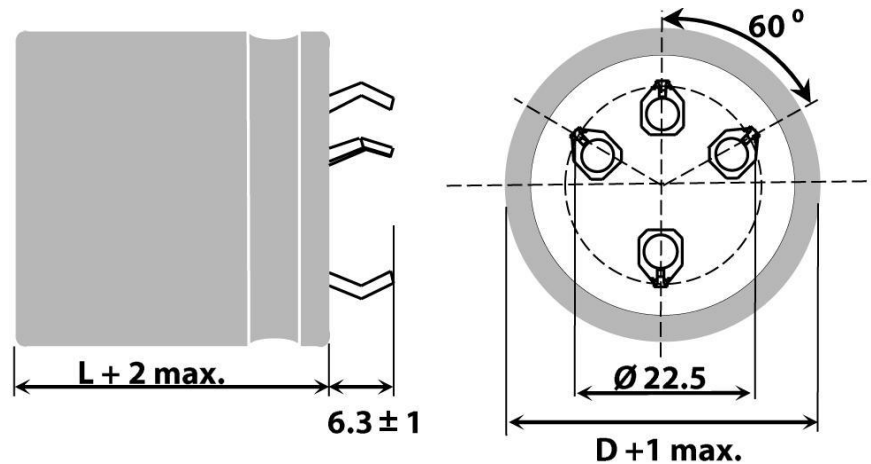
Diameter (D): 1.57 + 0.039 inches max.

Length (L): 80 + 2.0 mm max.

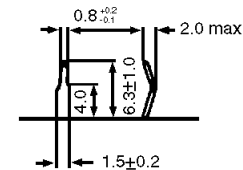
Length (L): 3.15 + 0.078 inches max.

Insulation: PVC

Operating Temperature: - 40°C to +105°C



PC Board Mounting Holes



Terminal

ROHS Compliant for all date codes after "0601",  
Per provisions of CD document 10-28.

"Controlled Copy" if viewed on CD Server or if copy is stamped  
in Red, Otherwise considered as an "Uncontrolled Copy"