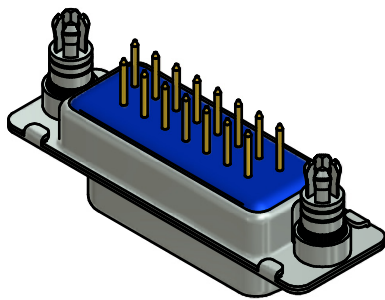
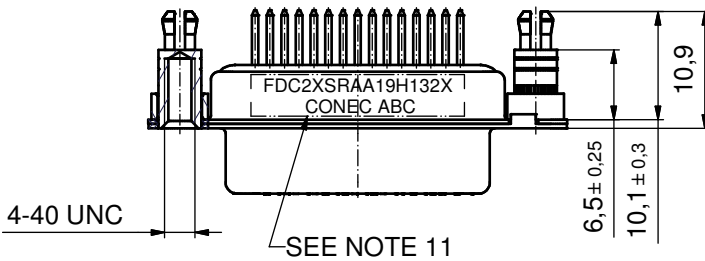
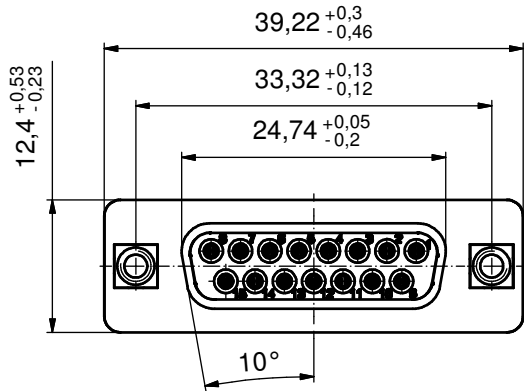
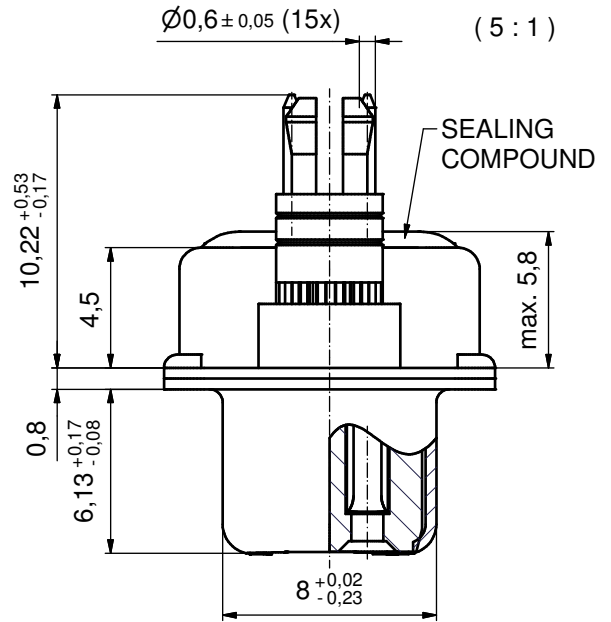
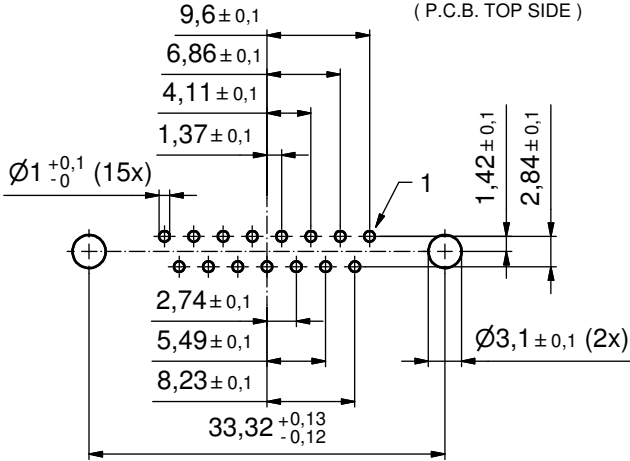


P.C.B. HOLE DRILLINGS
(P.C.B. TOP SIDE)



Directive 2002/95/EC
"RoHS"
Compliant

NOTES:

1. RoHS COMPLIANT
2. FOR WAVESOLDERING (SOLDER BATH TEMPERATURE 260 °C FOR 5 SEC. AND SOLDER PREHEAT 100 °C FOR 30 SEC.)
3. METALSHELLS: STEEL; min. 315µm TIN over 40-80µm NICKEL
4. INSULATOR: HIGH TEMPERATURE PLASTIC UL 94 V-0; BLACK
5. CONTACTS: COPPER ALLOY
PLATING: GOLD FLASH over NICKEL
6. THREADED SPACER CLIPS: COPPER ALLOY; min. 200µm TIN over 80µm NICKEL
PCB-HOLE: $\varnothing 3,1 \pm 0,1$; PCB-THICKNESS 2,3mm
7. COLLARS: COPPER ALLOY; min. 200µm TIN over 80µm NICKEL
8. SEALING COMPOUND: PUR; BLUE
9. CAPACITANCE: 1300pF $\pm 20\%$
10. DIELECTRIC WITHSTANDING VOLTAGE: 707 VDC
11. CONNECTOR IS PART MARKED: FDC2XSRAA19H132X CONEC ABC

APPROVAL # FREIGABE # DEBLOCAGE # AUTORIZACION # APPROVAL	
CUSTOMER APPROVAL DATE:	
NAME:	TITLE:
COMPANY NAME:	
APPROVAL # FREIGABE # DEBLOCAGE # AUTORIZACION # APPROVAL	

THIS DRAWING MAY NOT BE COPIED OR REPRODUCED IN ANY WAY, AND MAY NOT BE PASSED ON TO A THIRD PARTY WITHOUT WRITTEN PERMISSION. OWNERSHIP AND COPYRIGHT OF CONEC GmbH			
DO NOT ALTER CAD DRAWING BY HAND			
rev.	description	date	name

tolerance		scale:	2:1 (5:1)
	dim. in mm	material:	SEE NOTES
date	name	title:	
drawn	22.11.10	D-SUB C-FILTER FEMALE	
appd.	22.11.10	15pos. SOLDER PIN STRAIGHT	
norm		with threaded spacer clip	
d-old		dwg no:	Inventor
a	Origin	24K1A1282	
CONEC®		part no:	FDC2XSRAA19H132X

DIN-A3	sh: 1
--------	-------