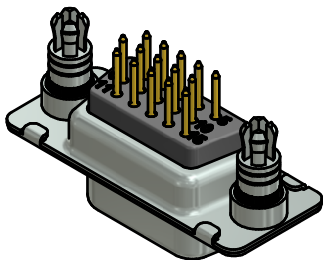
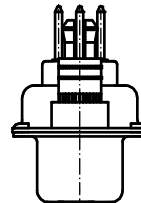
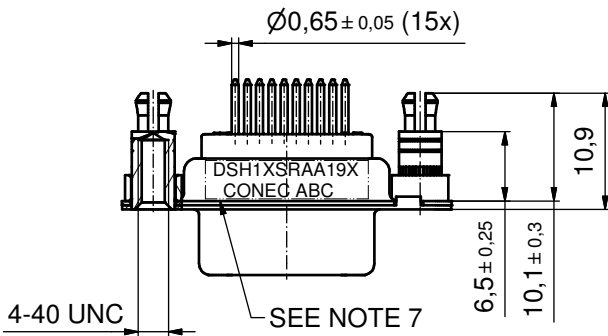
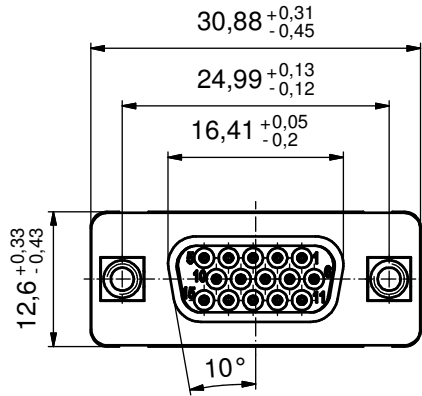
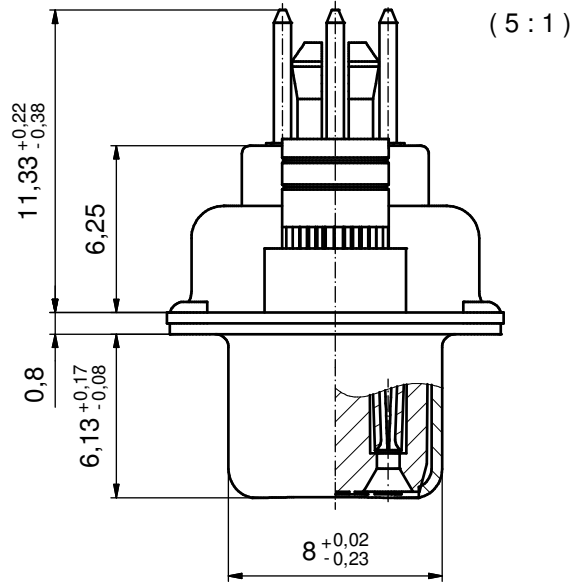


P.C.B. HOLE DRILLINGS
(P.C.B. TOP SIDE)



NOTES:

- METALSHELLS: STEEL; min. 315µm TIN over 40-80µm NICKEL
- INSULATORS: PBT GF UL 94 V-0; BLACK
- CONTACTS: COPPER ALLOY
PLATING: GOLD FLASH over NICKEL
- THREADED SPACER CLIPS: COPPER ALLOY; min. 200µm TIN over 80µm NICKEL
PCB-HOLE: $\varnothing 3,1 \pm 0,1$; PCB THICKNESS 2,3mm
- COLLARS: COPPER ALLOY; min. 200µm TIN over 80µm NICKEL
- MAXIMUM TORQUE VALUE FOR THREAD: 6 in.LB
- CONNECTOR IS PART MARKED: DSH1XSRAA19X CONEC ABC

Directive 2002/95/EC
„RoHS“
Compliant

THIS DRAWING MAY NOT BE COPIED OR
REPRODUCED IN ANY WAY, AND MAY NOT
BE PASSED ON TO A THIRD PARTY WITHOUT
WRITTEN PERMISSION.
OWNERSHIP AND COPYRIGHT OF CONEC GmbH

DO NOT ALTER CAD DRAWING BY HAND

rev.	description	date	name	tolerance	ISO 2768-m	dim. in mm
				date		name
				drawn	23.11.10	Henneboel
				appd.	23.11.10	Koch
				norm		
				d-old		
a	Origin			CONEC [®]		

scale:	2:1 (5:1)	
material:	SEE NOTES	
title:	D-SUB HD FEMALE 15pos. SOLDER PIN STRAIGHT with threaded spacer clip	
dwg no:	Inventor 10	DIN-A3
	16K1A2742	sh: 1
part no:	DSH1XSRAA19X	