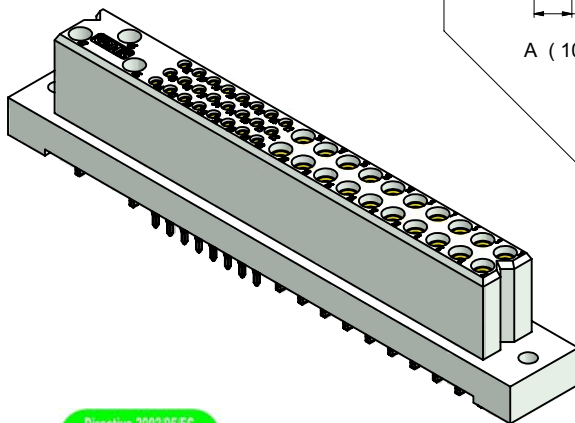


NOTES:

- MATERIALS AND FINISHES:**
 - INSULATOR: GLASS FILLED PLASTIC UL 94 V-0 RATED, GREY RAL 7035
 - CONTACTS: COPPER ALLOY, PLATING: FLASH GOLD OVER NICKEL
- ELECTRICAL CHARACTERISTICS:**
 - CREEPING AND CLEARANCE DISTANCE; MINIMUM:
 - CONTACT 47 TO CONTACT 46: 2.5 MM
 - CONTACT 47 TO CONTACT 45: 3.2 MM
 - CONTACT 46 TO CONTACT 45: 3.2 MM
 - CONTACT 47 TO SIGNAL CONTACTS: 6.4 MM
 - CONTACT 46 TO SIGNAL CONTACTS: 6.4 MM
 - CONTACT 45 TO SIGNAL CONTACTS: 2.0 MM
 - CONTACT CURRENT RATING:
 - POWER CONTACTS POS. 45-47: 40 AMPERES CONTINUOUS, ALL CONTACTS UNDER LOAD
 - POWER CONTACTS POS. 1-20: 28 AMPERES CONTINUOUS, ALL CONTACTS UNDER LOAD
 - SIGNAL CONTACTS: 3 AMPERES NOMINAL
 - INITIAL CONTACT RESISTANCE PER IEC 512-2, TEST 2b:
 - POWER CONTACTS: 0.0007 OHM MAX.
 - SIGNAL CONTACTS: 0.004 OHM MAX.
 - INSULATION RESISTANCE: 5 G OHM PER IEC 512-2, TEST 3a
 - VOLTAGE PROOF:
 - CONTACTS POS. 46, 46, 47: 3 kV r.m.s.
 - CONTACTS POS. 1-20: 1.5 kV r.m.s.
 - CONTACTS POS. 21-44: 1 kV r.m.s.
- WORKING TEMPERATURE:** -55°C TO +125°C
- PRESS-FIT PART OF CONTACTS ARE PATENT PROTECTED**
- CONNECTOR IS PART MARKED:** [PART-NO. CONEC ABC]



24	Signal contact (Pos. 21-44)	5	
20	Power contact type 3 (Pos. 1-20)	4	
1	Power contact type 2 (Pos. 45)	3	
2	Power contact type 1 (Pos. 46-47)	2	
1	Case 47pos. female	1	
quantity	part description	item	dwg no. / norm material

DO NOT ALTER CAD DRAWING BY HAND		finish: see notes		tolerance ISO 2768-m	scale: 2:1
THIS DRAWING MAY NOT BE COPIED OR REPRODUCED IN ANY WAY, AND MAY NOT BE PASSED ON TO A THIRD PARTY WITHOUT THE WRITTEN PERMISSION AND COPYRIGHT OF CONEC GmbH		date	name	dim. in mm	material: see notes
drawn	10.02.05	Mankopf			title: SOCKET CONNECTOR 47pos. PRESS-FIT STRAIGHT CompactPCI
appd.	10.02.05	Kühle			
norm					
rev	description	date	name	Mkf.	dwg no: [Inventor] DIN-A2
1x c	Ä 2207	18.04.05	Mkf.		45K1A006
1x b	Ä 2168	21.02.05	Mkf.		sh: 1
partlist					part no: CPH47W23FGE3SK9X

