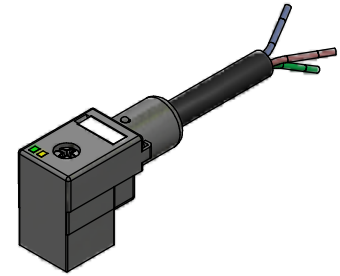


Technical specification :

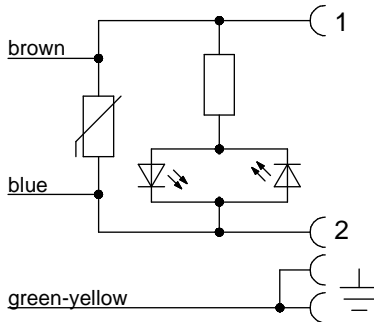
Rated voltage: 24 V AC / DC
 Current rating: 4 A at 40°C
 IEC 60512-5-2 5b
 Pollution degree: 3
 IEC 60664-1
 Degree of protection: IP 67, in mated condition
 IEC 60529
 Temperature range: -25°C ... +80°C
 IEC 60664-1
 Mating cycles: >50
 DIN EN 175301-803

Materials:

Contact: CuZn
 Contact plating: Nickel, stannous plated
 Contact carrier: PA GF, UL 94
 Moulding body: TPU, UL 94, transparent

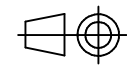


Contact assignment:



Part no:	Description:	Length L:	Cable:
55-00239	SAL - C9 - V2PEG - 0 - 124 - 2 / H2	2m	PUR/PVC, black, 3x0,5mm ² Cable: 781-H25300
55-00028	SAL - C9 - V2PEG - 0 - 124 - 3 / H2	3m	
55-00029	SAL - C9 - V2PEG - 0 - 124 - 5 / H2	5m	
55-00042	SAL - C9 - V2PEG - 0 - 124 - 10 / H2	10m	
55-00240	SAL - C9 - V2PEG - 0 - 124 - 2 / A2	2m	PVC, black, 3x0,5mm ² Cable: -
55-00241	SAL - C9 - V2PEG - 0 - 124 - 3 / A2	3m	
55-00242	SAL - C9 - V2PEG - 0 - 124 - 5 / A2	5m	
55-00243	SAL - C9 - V2PEG - 0 - 124 - 10 / A2	10m	
55-00252	SAL - C9 - V2PEG - 0 - 124 - 2 / K1 / 075	2m	TPU, UL 20549, black, 3x0,75mm ² Cable: 781-K17300
55-00253	SAL - C9 - V2PEG - 0 - 124 - 3 / K1 / 075	3m	
55-00254	SAL - C9 - V2PEG - 0 - 124 - 5 / K1 / 075	5m	
55-00255	SAL - C9 - V2PEG - 0 - 124 - 10 / K1 / 075	10m	
55-00256	SAL - C9 - V2PEG - 0 - 124 - 2 / A3 / 075	2m	PVC, UL 2464, grey, 3x0,75mm ² Cable: 781-A37300
55-00257	SAL - C9 - V2PEG - 0 - 124 - 3 / A3 / 075	3m	
55-00258	SAL - C9 - V2PEG - 0 - 124 - 5 / A3 / 075	5m	
55-00259	SAL - C9 - V2PEG - 0 - 124 - 10 / A3 / 075	10m	

D see data sheet cable

DO NOT ALTER CAD DRAWING BY HAND	Directive 2002/95/EC RoHS compliant	Index: a 02.02.11 VF Ä3731 contact assignment modified, dimension cable diameter removed, part no. cable in table added	 dim. in mm	title: Valve plug type C, ground jumpered, with protective circuit, contact pitch 9,4mm								
		<table border="1"> <tr> <td></td> <td>date</td> <td>name</td> </tr> <tr> <td>drawn</td> <td>18.06.08</td> <td>Franz</td> </tr> <tr> <td>appd.</td> <td>18.06.08</td> <td>Schmidt</td> </tr> </table>				date	name	drawn	18.06.08	Franz	appd.	18.06.08
			date	name								
		drawn	18.06.08	Franz								
appd.	18.06.08	Schmidt										
THIS DRAWING MAY NOT BE COPIED OR REPRODUCED IN ANY WAY, AND MAY NOT BE PASSED ON TO A THIRD PARTY WITHOUT WRITTEN PERMISSION. OWNERSHIP AND COPYRIGHT OF CONEC GmbH	CONEC ®	part no: see table										