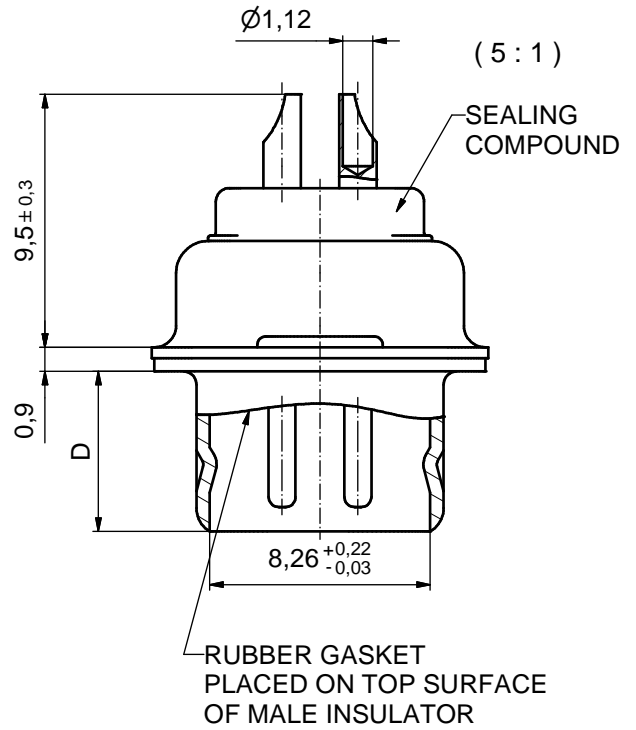
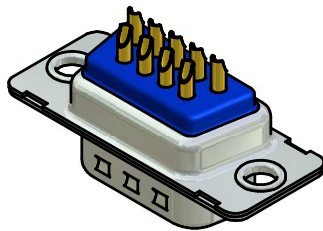
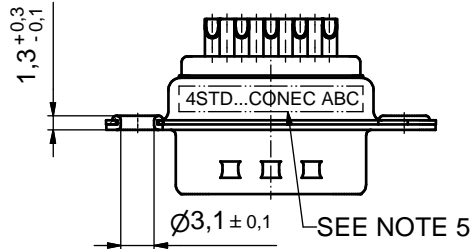
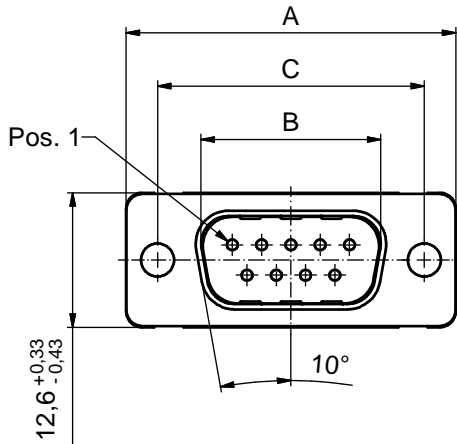


NOTES:

1. METALSHELLS: COPPER ALLOY; min. 315µin TIN over 40-80µin NICKEL
2. INSULATORS: PBT GF UL 94 V-0, BLACK
3. CONTACTS: COPPER ALLOY
PLATING: 30µin HARD GOLD over min. 50µin NICKEL
SOLDER CUP ACCEPTS CABLE AWG 20
4. RUBBER-GASKET: TPE
5. CONNECTOR IS PART MARKED: PART NO CONEC ABC



(b)

No. of pos.	A	B	C	D	Part-No.
9	30,88 ^{+0,31} _{-0,45}	16,84 ^{+0,2} _{-0,05}	24,99 ^{+0,13} _{-0,12}	6,00 ^{+0,12} _{-0,18}	4STD09PCM99A10X
15	39,22 ^{+0,3} _{-0,46}	25,17 ^{+0,2} _{-0,05}	33,32 ^{+0,13} _{-0,12}	6,00 ^{+0,12} _{-0,18}	4STD15PCM99A10X
25	53,09 ^{+0,33} _{-0,43}	38,86 ^{+0,23} _{-0,02}	47,04 ± 0,13	6,00 _{-0,3}	4STD25PCM99A10X
37	69,39 ^{+0,31} _{-0,45}	55,30 ^{+0,25}	63,50 ± 0,13	6,00 _{-0,3}	4STD37PCM99A10X

Directive 2002/95 EC
"RoHS"
Compliant

APPROVAL # FREIGABE # DEBLOCAGE # AUTORIZACION # APPROVAL

CUSTOMER APPROVAL DATE:

NAME: _____ TITLE: _____

COMPANY NAME: _____

APPROVAL # FREIGABE # DEBLOCAGE # AUTORIZACION # APPROVAL

THIS DRAWING MAY NOT BE COPIED OR REPRODUCED IN ANY WAY, AND MAY NOT BE PASSED ON TO A THIRD PARTY WITHOUT WRITTEN PERMISSION. OWNERSHIP AND COPYRIGHT OF CONEC GmbH

DO NOT ALTER CAD DRAWING BY HAND

rev.	description	date	name	tolerance	dim. in mm
1 x c	Ä 3495	10.11.09	Petker	date	name
1 x b	Ä 2179	07.03.05	Lehm.	drawn	11.02.99 Barcinski
a	Origin			appd.	11.02.99 Mickenbecker
				norm	
				d-old	

scale: 2:1 (5:1)

material: SEE NOTES

title: **D-SUB MALE**
SOLDER CUP 9-37pos.
for installation into water resistant hood

dwg no: Inventor 10 (C) DIN-A3 sh: 1

part no: SEE TABLE

