

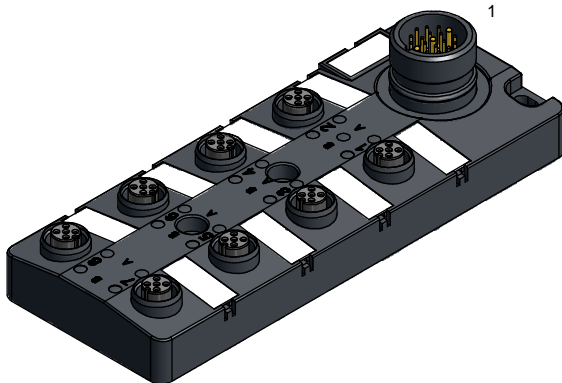
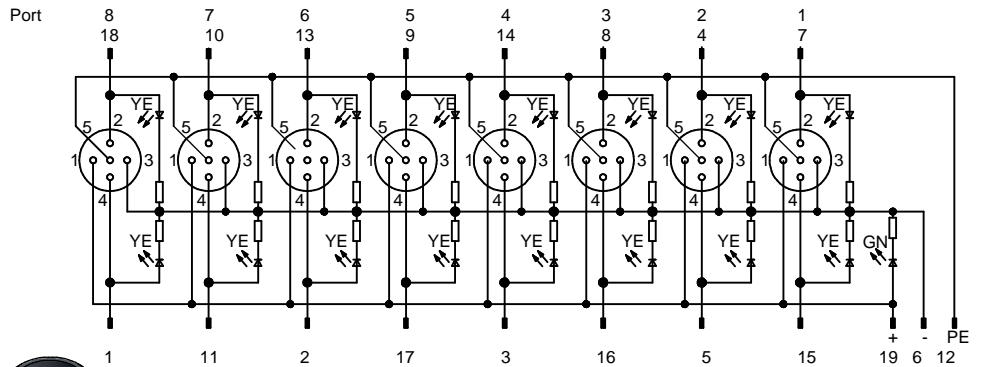
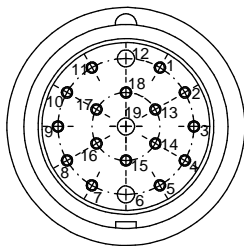
Technical specification:

Rated voltage: max. 30 V
 Current rating: 2A signal contact, total ampacity max. 12A
 Insulation resistance: IEC 60512 >=100 MΩ
 Pollution degree: IEC 60664-1 3/2
 Degree of protection: IEC 60529 IP 67, in mated condition
 Temperature range: IEC 60664-1 -20°C ... +80°C (unmoved)
 Mating cycles: IEC 60512-9a >=100

Materials:

Contact: CuSn6
 Contact plating: Nickel, gold plated
 Contact carrier: PBT, UL 94
 Sealing: FPM
 Housing: PBT, UL 94 similar to RAL 7024
 Grouting: Polyurethane-resin, UL 94

Pin-Configuration M23x1



Part no:	Description:
43-05015	SAL - 12 - 8FK5 - 17L

DO NOT ALTER CAD DRAWING BY HAND Directive 2002/95/EC RoHS compliant	Index: a 22.08.11 VF Ä3941 data sheet revised	dim. in mm	title: Junction box M12x1 8-way with connector M23x1, plastic housing	
				date
	tolerance of cable:	drawn 31.10.07	Fromm	dwg no: 43K1A567
	general tolerance: 0 ± 0,50mm 0,0 ± 0,25mm 0,00 ± 0,10mm	appd. 14.02.08	W. Schmidt	
			part no: see table	
<small>THIS DRAWING MAY NOT BE COPIED OR REPRODUCED IN ANY WAY, AND MAY NOT BE PASSED ON TO A THIRD PARTY WITHOUT WRITTEN PERMISSION. OWNERSHIP AND COPYRIGHT OF CONEC GmbH</small>				