

Technical specification:

Rated voltage: max. 30 V

Current rating: 2A signal contact, total ampacity max. 12A

Insulation resistance: IEC 60512 >=100 MΩ

Pollution degree: IEC 60664-1 3/2

Degree of protection: IEC 60529 IP 67, in mated condition

Temperature range: IEC 60664-1 -20°C ... +80°C (unmoved)

Mating cycles: IEC 60512-9a <=100

Materials:

Contact: CuSn6

Contact plating: Nickel, gold plated

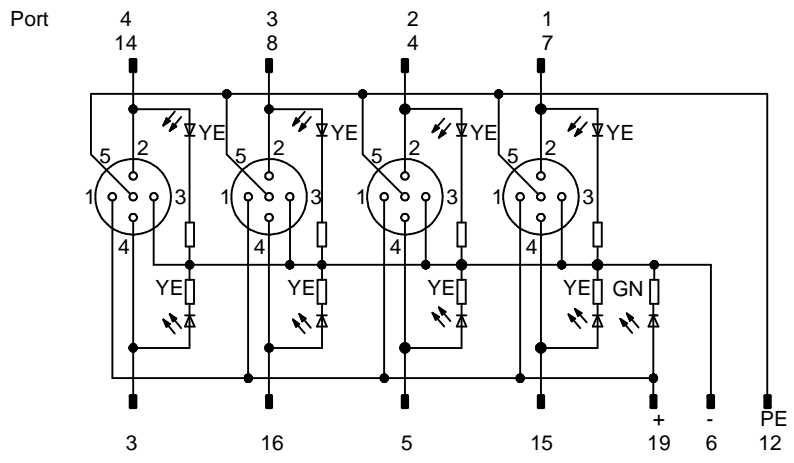
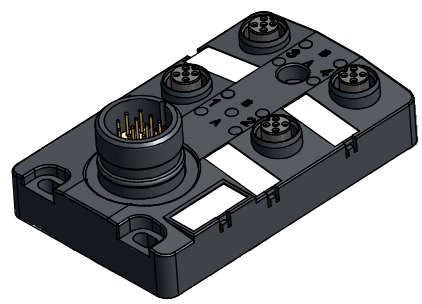
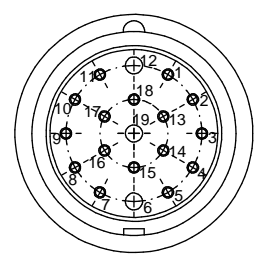
Contact carrier: PBT, UL 94

Sealing: FPM

Housing: PBT, UL 94 similar to RAL 7024

Grouting: Polyurethane-resin, UL 94

Pin-Configuration M23x1



| | |
|----------|----------------------|
| Part no: | Description: |
| 43-05014 | SAL - 12 - 4FK5 - 9L |

| | | | | |
|---|--|----------------|--|----------------------------|
| DO NOT ALTER CAD DRAWING BY HAND Directive 2002/95/EC RoHS compliant | Index: b 22.08.11 VF Ä3941 data sheet revised | dim. in mm | title: Junction box M12x1 4-way with connector M23x1, plastic housing | |
| | | | | date |
| | tolerance of cable: | drawn 05.10.07 | Fromm | dwg no: 43K1A568 |
| | general tolerance: 0 ± 0,50mm 0,0 ± 0,25mm 0,00 ± 0,10mm | appd. 14.02.08 | W. Schmidt | |
| | | | part no: see table | |
| <small>THIS DRAWING MAY NOT BE COPIED OR REPRODUCED IN ANY WAY, AND MAY NOT BE PASSED ON TO A THIRD PARTY WITHOUT WRITTEN PERMISSION. OWNERSHIP AND COPYRIGHT OF CONEC GmbH</small> | | | | |