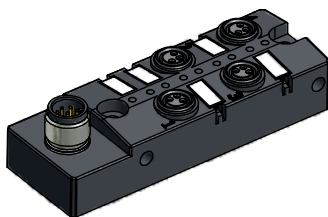
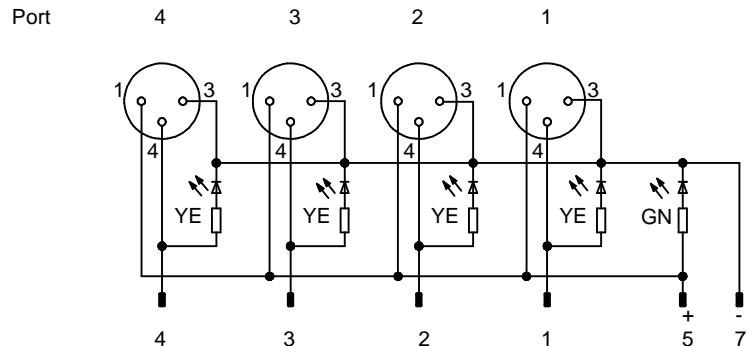
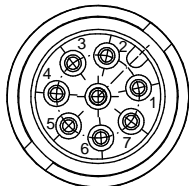


Technical specification:

Rated voltage:	max. 30 V
Current rating:	2A signal contact, total ampacity max. 3A
Insulation resistance: IEC 60512	>=100 MΩ
Pollution degree: IEC 60664-1	3/2
Degree of protection: IEC 60529	IP 67, in mated condition
Temperature range: IEC 60664-1	-20°C ... +80°C (unmoved)
Mating cycles: IEC 60512-9a	>=100
Materials:	
Contact:	CuZn
Contact plating:	Nickel, gold plated
Contact carrier:	PBT, UL 94
Sealing:	FPM
Housing:	PBT GF, UL 94 similiar to RAL 7024
Grouting:	Polyurethane-resin, UL 94

Pin-Configuration M12x1



Part No:	Description:
42-05010	SAL - 8 - 4FK3 - 5L

DO NOT ALTER CAD DRAWING BY HAND Directive 2002/95/EC RoHS compliant	Index: a 23.08.11 VF Ä3941 data sheet revised		dim. in mm	title: Junction box M8x1 with connector M12x1, plastic housing		
	tolerance of cable:		date		name	dwg no: 42K1A082
	general tolerance: 0 ± 0,50mm 0,0 ± 0,25mm 0,00 ± 0,10mm		drawn 18.06.08 Fromm		appd. 20.06.08 W.Schmidt	
THIS DRAWING MAY NOT BE COPIED OR REPRODUCED IN ANY WAY, AND MAY NOT BE PASSED ON TO A THIRD PARTY WITHOUT WRITTEN PERMISSION. OWNERSHIP AND COPYRIGHT OF CONEC GmbH			CONEC ®	part no: see table		