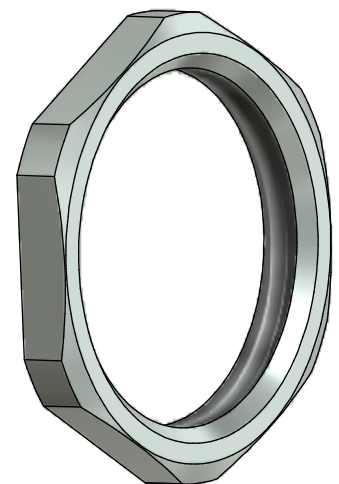
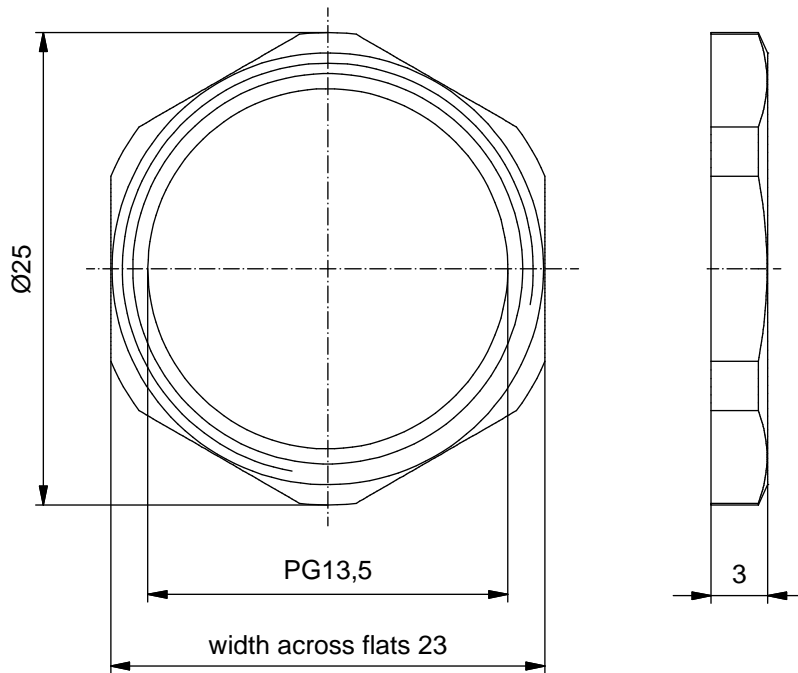
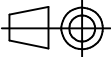


**Materials:**

material: CuZn

plating: Nickel gal.



DO NOT ALTER CAD DRAWING BY HAND Directive 2002/95/EC RoHS compliant		 dim. in mm	title: <b>Hex nut PG13,5</b>
		date name	
		drawn 22.03.10 Fromm	dwg no: <b>41K1A399</b>
		appd. 22.03.10 Mankopf	
	general tolerance:	0 ± 0,50mm 0,0 ± 0,25mm 0,00 ± 0,10mm	<b>CONEC</b> <sup>®</sup>
<small>THIS DRAWING MAY NOT BE COPIED OR REPRODUCED IN ANY WAY, AND MAY NOT BE PASSED ON TO A THIRD PARTY WITHOUT WRITTEN PERMISSION. OWNERSHIP AND COPYRIGHT OF CONEC GmbH</small>			