

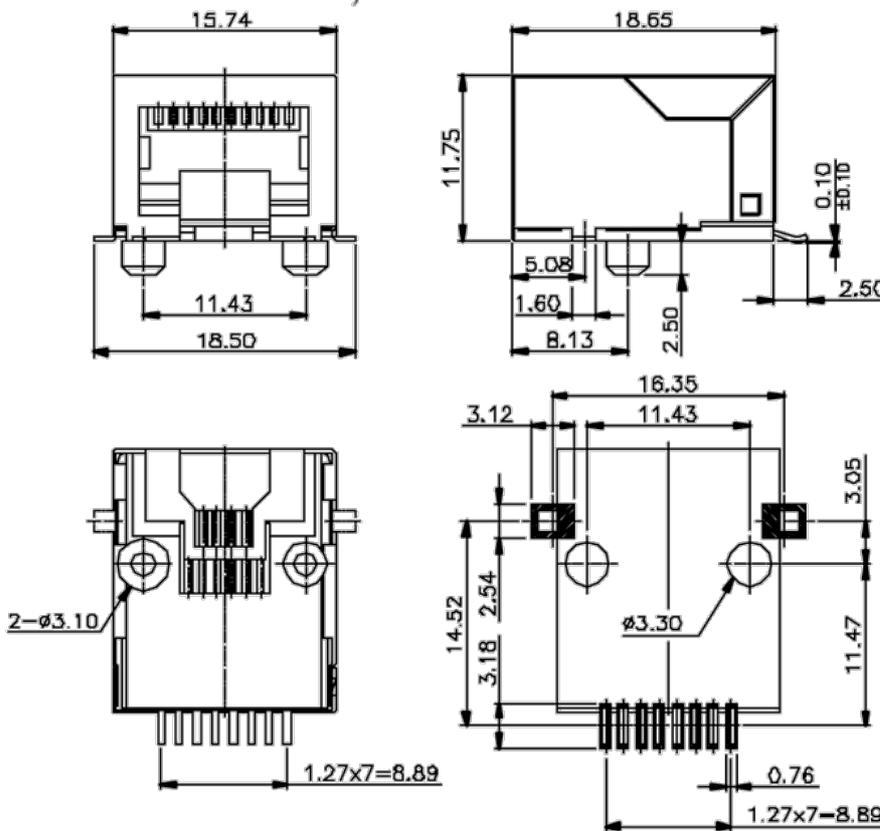


Very Low Profile PCB Jack(Side Entry,Shielded W/Tab SMT)

Materials

Housing: Nyloy 66 UL94V-0 Black
 Contacts: 0.35mm thickness alloy, gold plating over nickel in contact area
 Tin Plating over nickel in solder area

For RoHS compliant parts contact the factory for new part numbers



Order Information

33TS3004 ST - 88 B SMT 1
 1 2 3 4 5 6

- | | | |
|--|---|--|
| 1. Series No.
33TS3004 | 2.Contact Type
ST : Grounding tab of shield | 3. No. Of Contacts
88:8P8C
1010:10P10C |
| 4. Gold Plating
B: 6µ"
For other plating options
contact factory | 5. Terminal Version
SMT type | 6. Packaging
1: Packed in tray
2: Tape & reel request |

Order Information	Order Number
33TS3004ST-88BSMT1	33TS3004ST-88001
33TS3004ST-88BSMT2	33TS3004ST-88002
33TS3004ST-1010BSMT1	33TS3004ST-10101
33TS3004ST-1010BSMT2	33TS3004ST-10102