

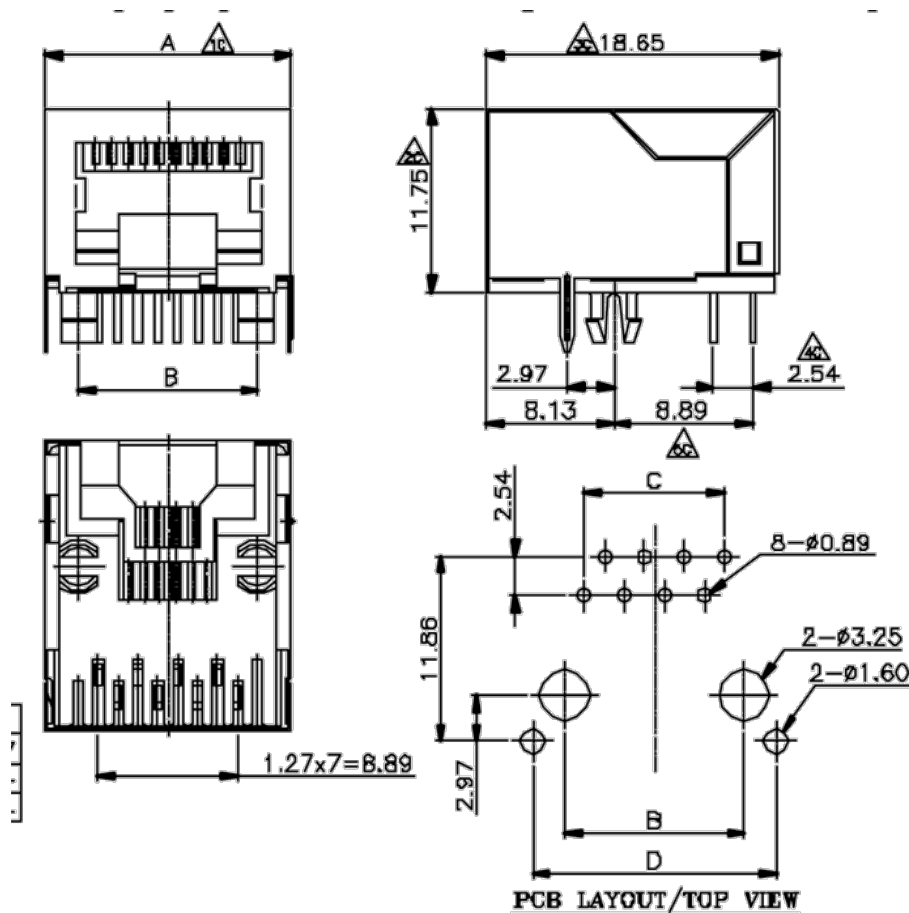
Very Low Profile PCB Jack(Side Entry,Shielded)

Materials

Housing: PBT+30% glass-fiber UL94V-0 Black
 Contacts: 0.35mm thickness alloy, gold plating over nickel in contact area
 Tin Plating over nickel in solder area

Directive 2002/95/EC
 „RoHS“
 Compliant

Pin	A	B	C	D
6	13.56	10.16	6.35	13.57
8	15.74	11.43	8.89	15.54
10	15.74	11.43	11.43	15.54



Order Information

33TS3004 S - 88 B
 1 2 3 4

1. Series No.
 33TS3004

2.Contact Type
 S : Shielded

3. No. Of Contacts
 64:6P4C
 66:6P6C
 88:8P8C
 1010:10P10C

4. Gold Plating
 B: 6µ"
 For other plating options
 contact factory

Note:
 Packed in tray

