

Directive 2002/95/EC
„RoHS“
Compliant

NOTES:

- METALSHELLS: STEEL; min. 315µin TIN over 40-80µin NICKEL
- INSULATORS: PBT GF UL 94 V-0, GREEN
- SIGNAL CONTACTS: COPPER ALLOY
PLATING: 30µin HARD GOLD over min. 50µin NICKEL
- HIGH POWER CONTACTS 20A: COPPER ALLOY
PLATING MATING AREA: 30µin HARD GOLD over min. 50µin NICKEL
PLATING TERMINATION SIDE: 160-240µin TIN over 80µin NICKEL
- METAL BRACKET: ZINC DIE CAST; 300µin COPPER/ 40-120µin NICKEL/ 120-200µin TIN
- THREADED INSERT: COPPER ALLOY; min. 200µin TIN over 80µin NICKEL
- MAXIMUM TORQUE VALUE FOR THREAD: 6 in.LB
- CONNECTOR IS PART MARKED: 3009W4SCT56N40X CONEC ABC

APPROVAL # FREIGABE # DEBLOCAGE # AUTORIZACION # APPROVAL

CUSTOMER APPROVAL DATE:

NAME: TITLE:

COMPANY NAME:

APPROVAL # FREIGABE # DEBLOCAGE # AUTORIZACION # APPROVAL

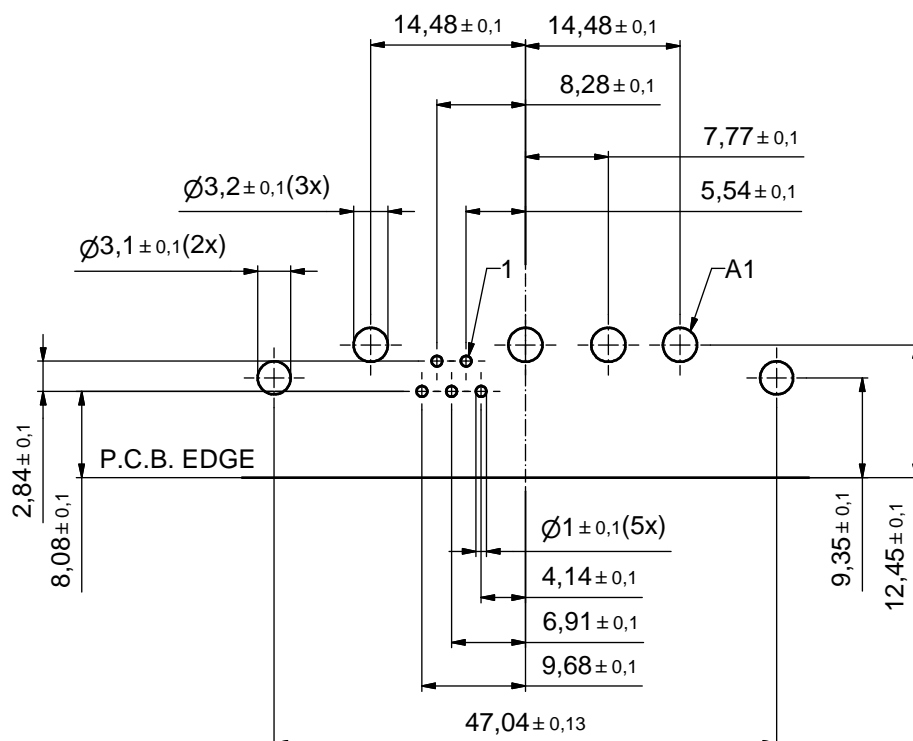
THIS DRAWING MAY NOT BE COPIED OR REPRODUCED IN ANY WAY AND MAY NOT BE PASSED ON TO A THIRD PARTY WITHOUT WRITTEN PERMISSION. OWNERSHIP AND COPYRIGHT OF CONEC GmbH

DO NOT ALTER CAD DRAWING BY HAND

rev.	description	date	name
a	Origin		

tolerance		scale:	2:1 (5:1)
	dim. in mm	material:	SEE NOTES
drawn:	04.09.2007	Sonnenberg	title:
appd.:	04.09.2007	Mickenbecker	D-SUB COMBINATION FEMALE
norm:			9W4S
d-old:			with threaded insert, metal bracket and clip
		dwg no:	Inventor 10
			DIN-A3
			sh: 1
		part no:	13K1A1710
			3009W4SCT56N40X

CONEC



APPROVAL # FREIGABE # DEBLOCAGE # AUTORIZACION # APPROVAL	
CUSTOMER APPROVAL DATE:	
NAME:	TITLE:
COMPANY NAME:	
APPROVAL # FREIGABE # DEBLOCAGE # AUTORIZACION # APPROVAL	

THIS DRAWING MAY NOT BE COPIED OR REPRODUCED IN ANY WAY, AND MAY NOT BE PASSED ON TO A THIRD PARTY WITHOUT WRITTEN PERMISSION. OWNERSHIP AND COPYRIGHT OF CONEC GmbH

DO NOT ALTER CAD DRAWING BY HAND

rev.	description	date	name
a	Origin		

tolerance		dim. in mm
date	name	
drawn	04.09.2007	Sonnenberg
appd.	04.09.2007	Mickenbecker
norm		
d-old		

CONEC[®]

scale:	2:1	
material:	SEE SHEET 1	
title:	P.C.B. HOLE DRILLINGS D-SUB COMBINATION FEMALE 9W4S with threaded insert, metal bracket and clip	
dwg no:	Inventor 10	DIN-A3
	13K1A1710	sh: 2
part no:	3009W4SCT56N40X	