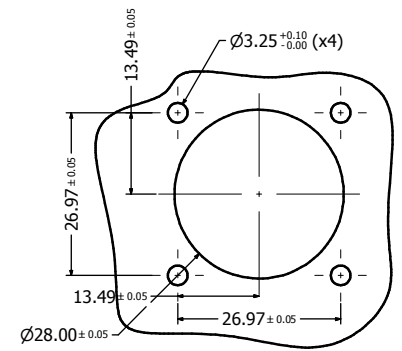
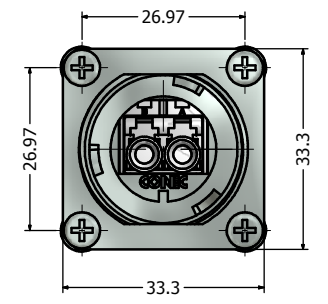
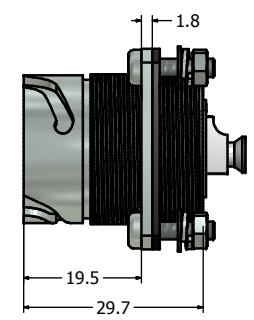
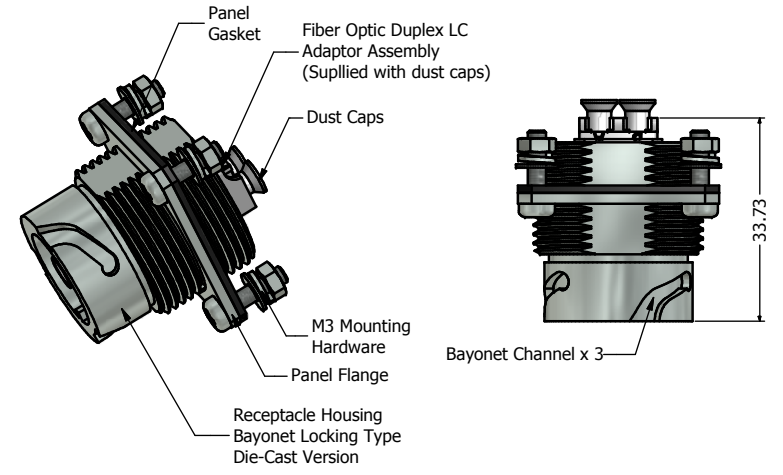


Recommended Double-D Panel Cutout



Recommended Round Panel Cutout



- Notes:**
- Material and Finish:
 - Receptacle Housing & Protective Cover: Die-Cast, Nickel Plated
 - Panel Gasket: NBR, Color: Black
 - M3 Mounting Hardware: Stainless Steel includes 4 x (screw + nut + flat washer + spring lock washer)
 - Cover Gasket: Silicon, Color: White
 - Ball Chain Assembly, Copper Alloy and Stainless steel, Nickel Plated
 - Connector can be front or rear mounted to a maximum panel thickness of 3.2mm.
 - IP67 rated when covered or fully mated with the appropriate mating connector
 - Hardware shipped unassembled

Description	Part Number
Nickel Plated Die-Cast Duplex LC Single Mode Receptacle + Cover Assembly	17-300700
Nickel Plated Die-Cast Duplex LC Multi Mode Receptacle Cover Assembly	17-300710
Nickel Plated Die-cast Duplex LC APC Single Mode Receptacle Cover Assembly	17-300720

Directive 2002/95/EC RoHS Compliant

THIS DRAWING MAY NOT BE COPIED OR REPRODUCED IN ANY MANNER AND MAY NOT BE PASSED ON TO A THIRD PARTY WITHOUT WRITTEN PERMISSION. OWNERSHIP AND COPYRIGHT OF CONEC CORPORATION.	Customer:		Tolerance Unless otherwise specified			Scale:	Dim. in mm		
	Name	Title	Approval Date	0 PLC ± 0.30 1 PLC ± 0.20 2 PLC ± 0.10 3 PLC ± 0.05 ANGLES ± 1'		2012	Date	Name	Material: See Notes
						Draw.	Apr. 17	Vincent Ke	Title: IP67 Industrial Duplex LC Receptacle (with Flange) + Cover Kit Nickel Plated Zinc Die-Cast Version
						Appd.	Apr. 17	J. Chaudry	Drawing No.: 17K1A327
							Part No.: SEE PART NUMBER TABLE	DIN A3 Sheet 1/1	

