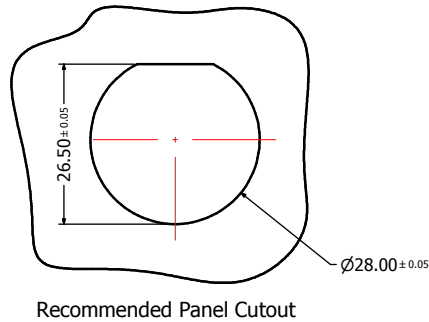
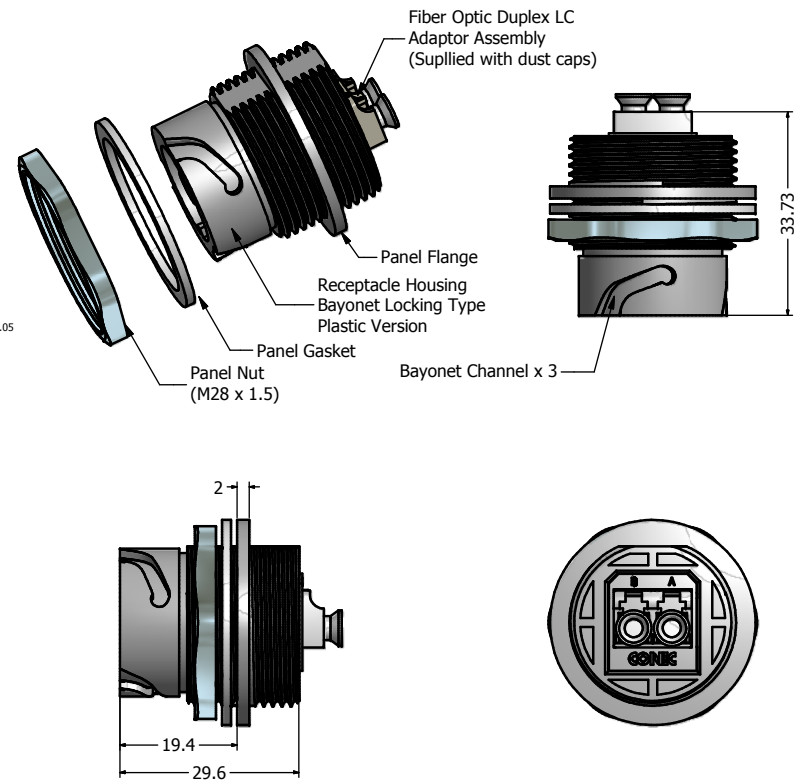
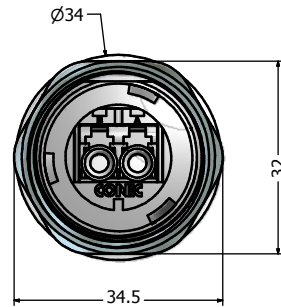


Protective Cover
Bayonet Locking Style
Plastic Version



Recommended Panel Cutout



Notes:

- Material and Finish:
 - Receptacle Housing, Protective Cover: Polyester (Black); UL94 V-0
 - Panel Nut: Brass, Finish: Nickel Plated
 - Panel Gasket: Silicon, Color: White
 - Cover Gasket: Silicon, Color: White
 - Tether: Polycarbonate, Color: Black

Duplex LC Adaptor Assembly:

- Housing: Mod. PPO, UL94 V-0, Color: **SM Blue/MM Beige/APC SM Green**
 - Alignment Sleeves: SM Ceramic/MM Phosphor Bronze
 - Dust Cap: PP, Color: Neutral transparent
 - Operating Temperature: -40~C to +85~C
- Connector can be front or rear mounted to a maximum panel thickness of 3.2mm.
 - IP67 rated when covered or fully mated with the appropriate mating connector

Directive 2002/95/EC RoHS Compliant

| Description | Part Number |
|------------------------------------------------------------------------|-------------|
| Plastic Duplex LC Single Mode Receptacle Assembly + Cover Assembly | 17-300230 |
| Plastic Duplex LC Multi Mode Receptacle Assembly + Cover Assembly | 17-300240 |
| Plastic Duplex LC APC Single Mode Receptacle Assembly + Cover Assembly | 17-300250 |

| | | | | | | | |
|----------------------------------------------------------------------------------------------------------------------------------------------------------------------------------------------------------------------------------|-----------|---------|---------------|-------------------------------------------------------------------------------------------------------------------|---------------------------|---------------------------------------------------------------------------------------|-----------------------|
| THIS DRAWING MAY NOT BE COPIED OR REPRODUCED IN ANY MANNER WITHOUT THE WRITTEN PERMISSION OF CONECCORPORATION AND MAY NOT BE PASSED ON TO A THIRD PARTY WITHOUT WRITTEN PERMISSION. OWNERSHIP AND COPYRIGHT OF CONECCORPORATION. | Customer: | | | Tolerance Unless otherwise specified 0 PLC ±0.30 1 PLC ±0.20 2 PLC ±0.10 3 PLC ±0.05 ANGLES ±1° | | Scale: 1.5:1 | Dim. in mm |
| | Name | Title | Approval Date | | | Material: See Notes | |
| | | | | | | Title: IP67 Industrial Duplex LC Receptacle Assembly + Cover Assembly Plastic version | |
| | Rev. | Changes | Date | | | Name | Drawing No.: 17K1A217 |
| a original | | | | | Part No.: SEE ABOVE TABLE | | Sheet 1/1 |