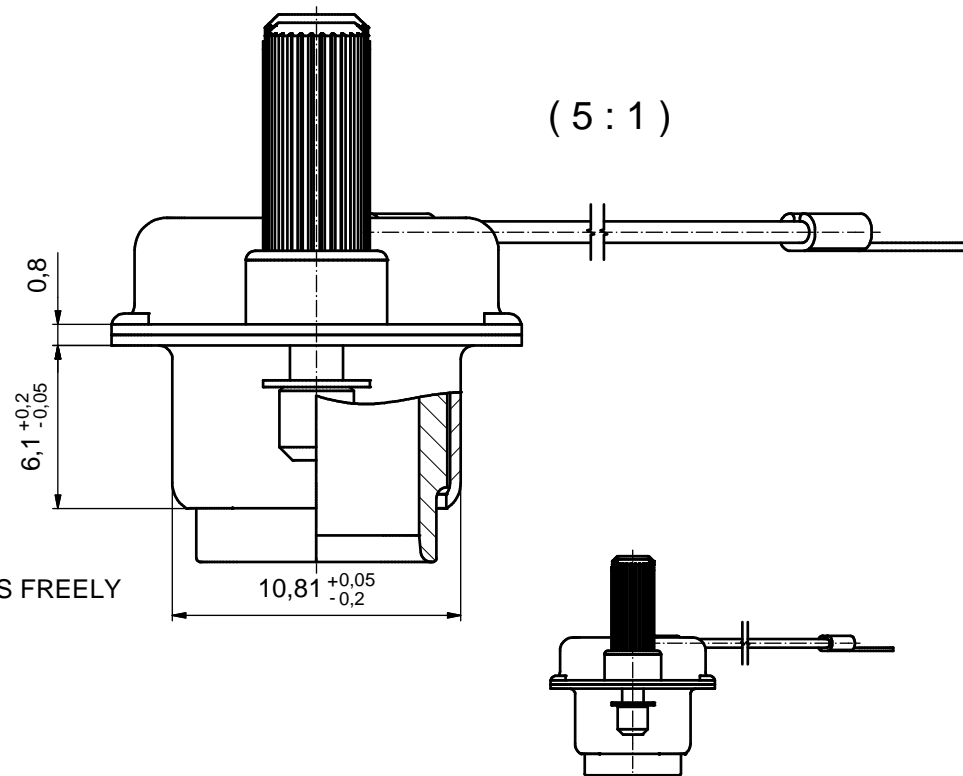


Part. No. for plug connector	
UNC 4-40	M3
15-000150	15-000200



**NOTES:**

- METALSHELLS: COPPER ALLOY; min. 315µin TIN over 40-80µin NICKEL
- TPE ETHYLENE PROPYLENE THERMOPLASTIC RUBBER SEAL
- IP RATING: THE WATER RESISTANT CAP MUST BE MOUNTED PROPERLY TO THE MATING CONNECTOR FOR IP 67
- THREADED INSERT: COPPER ALLOY; min. 200µin TIN over 80µin NICKEL
- COLLAR: COPPER ALLOY; min. 200µin TIN over 80µin NICKEL
- JACKSCREW: STAINLESS STEEL 1.4305
- WIRE ROPE: STAINLESS STEEL 1.4401
- RETAINING WASHER: STAINLESS STEEL 1.4122
- TERMINAL RING: UNINSULATED, COPPER ALLOY; min. 200µinTIN over 80µin NICKEL
- MAXIMUM TORQUE VALUE FOR THREAD: 6in.LB
- CONNECTOR IS PART MARKED: [PART NO. CONEC ABC]

Directive 2002/95/EC  
"RoHS"  
Compliant

THIS DRAWING MAY NOT BE COPIED OR REPRODUCED IN ANY WAY, AND MAY NOT BE PASSED ON TO A THIRD PARTY WITHOUT WRITTEN PERMISSION. OWNERSHIP AND COPYRIGHT OF CONEC Gmbh DO NOT ALTER CAD DRAWING BY HAND	tolerance	ISO 2768-m	dim. in mm	scale:	2:1 (5:1)
	material:	SEE NOTES			
	date	name	title:		
	drawn	26.05.08	Petker	WATER RESISTANT SCREEN CAP	
	appd.	26.05.08	Fischer	50pos. FOR PLUG CONNECTOR	
norm	with threaded insert, jackscrew and wire rope				
d-old	dwg no: Inventor 10				DIN-A3
a	Origin	<b>CONEC</b> ®		15K1A225	sh: 1
rev.	description	date	name	part no:	see table