

Directive 2002/95/EC
RoHS*
Compliant

NOTES:

- METALSHELLS: COPPER ALLOY; min. 315µm TIN over 40-80µm NICKEL
- INSULATORS: PBT GF UL 94 V-0; GREEN
- SIGNAL CONTACTS: COPPER ALLOY
PLATING: 30µm HARD GOLD over min. 50µm NICKEL
CONTACT TAILS PRETINNED
- HIGH POWER CONTACTS 40A: COPPER ALLOY
PLATING MATING AREA: 30µm HARD GOLD over min. 50µm NICKEL
PLATING TERMINATION SIDE: 160-240µm TIN over 80µm NICKEL
- THREADED INSERTS: COPPER ALLOY; min. 200µm TIN over 80µm NICKEL
- METAL BRACKETS: ZINC DIE CAST; 300µm COPPER/40-120µm NICKEL/120-200µm TIN
- PCB-SNAPS: COPPER ALLOY; min. 200µm TIN over 80µm NICKEL
PCB-HOLE: ø3.1±0,1mm; PCB-THICKNESS: 1,6mm
- P.C.B. HOLE DRILLINGS ON SHEET 2
- MAXIMUM TORQUE VALUE FOR THREAD: 6 in.LB
- CONNECTOR IS PART MARKED: 13-503291 CONEC ABC

APPROVAL # FREIGABE # DEBLOCAGE # AUTORIZACION # APPROVAL	
CUSTOMER APPROVAL DATE:	
NAME:	TITLE:
COMPANY NAME:	
APPROVAL # FREIGABE # DEBLOCAGE # AUTORIZACION # APPROVAL	

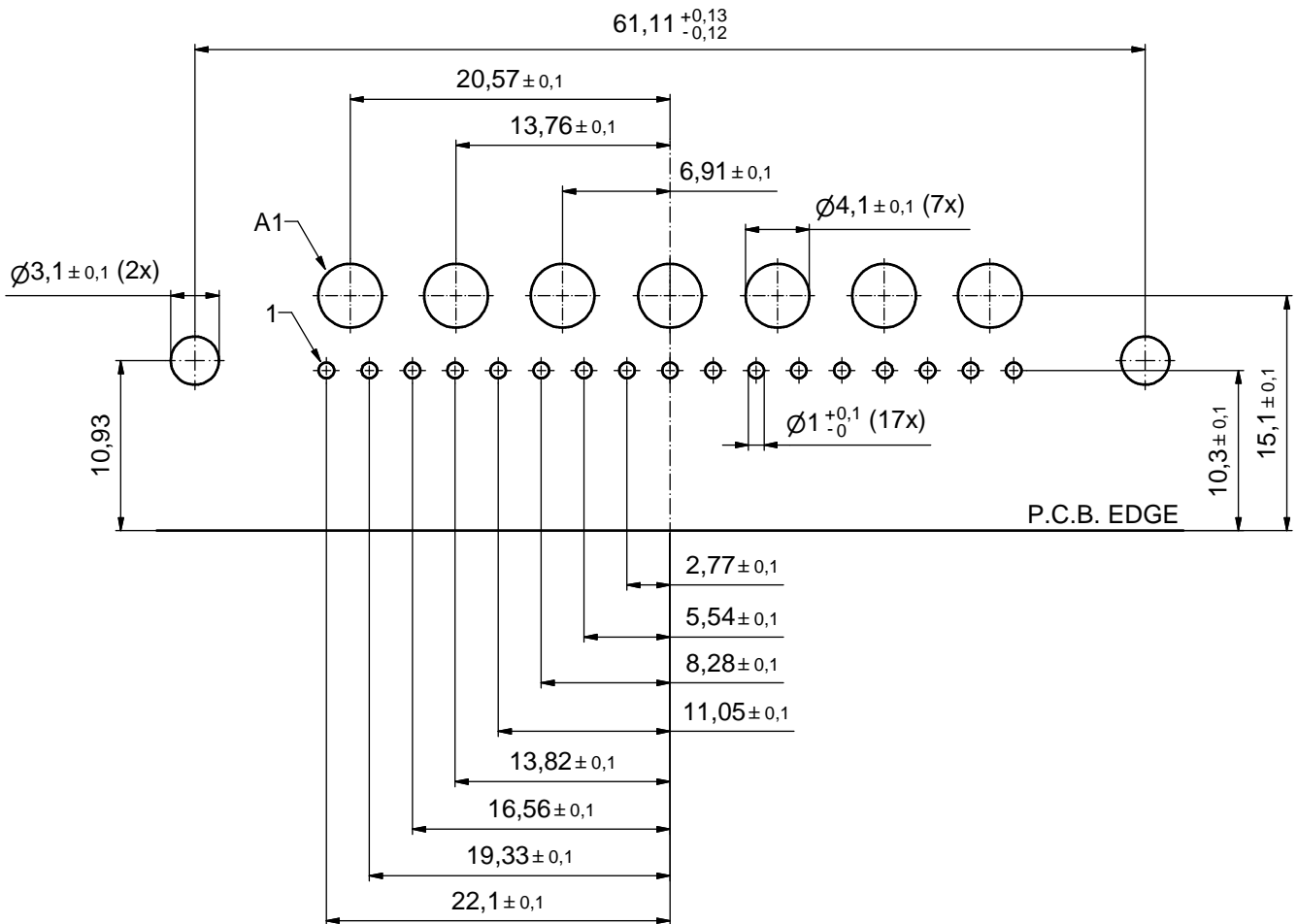
Customer Specific Product				tolerance	dim. in mm
date	name				
drawn	05.08.10	Lehmenkühler			
appd.	06.08.10	Fischer			
norm					
d-old					
a	Origin				
rev.	description	date	name		

scale: 2:1 (5:1)	
material: SEE NOTES	
title: D-SUB COMBINATION MALE 90° 24W7P SOLDER PIN ANGLED with threaded insert, metal bracket and snap	
dwg no: Inventor 10	DIN-A3
13K1A3361	
sh: 1	
part no: 13-503291	



THIS DRAWING MAY NOT BE COPIED OR REPRODUCED IN ANY WAY, AND MAY NOT BE PASSED ON TO A THIRD PARTY WITHOUT WRITTEN PERMISSION. OWNERSHIP AND COPYRIGHT OF CONEC GmbH DO NOT ALTER CAD DRAWING BY HAND

P.C.B. HOLE DRILLINGS
(P.C.B. TOP SIDE)



APPROVAL # FREIGABE # DEBLOCAGE # AUTORIZACION # APPROVAL	
CUSTOMER APPROVAL DATE:	
NAME:	TITLE:
COMPANY NAME:	
APPROVAL # FREIGABE # DEBLOCAGE # AUTORIZACION # APPROVAL	

THIS DRAWING MAY NOT BE COPIED OR REPRODUCED IN ANY WAY, AND MAY NOT BE PASSED ON TO A THIRD PARTY WITHOUT WRITTEN PERMISSION. OWNERSHIP AND COPYRIGHT OF CONEC GmbH				tolerance		dim. in mm	
DO NOT ALTER CAD DRAWING BY HAND				date	name		
rev.	description	date	name	drawn	05.08.10	Lehmenkühler	
a	Origin			appd.	06.08.10	Fischer	
				norm			
				d-old			
				scale: 3:1			
				material: SEE SHEET 1			
				title: P.C.B. HOLE DRILLINGS D-SUB COMBINATION MALE 90° 24W7P with threaded insert, metal bracket and snap			
				dwg no: Inventor 10		DIN-A3	
				sh: 2		part no: SEE SHEET 1	