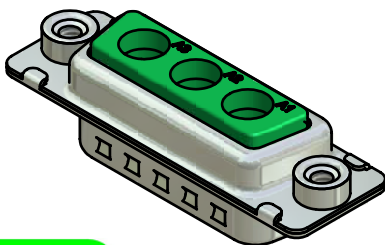
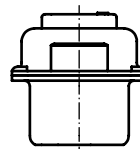
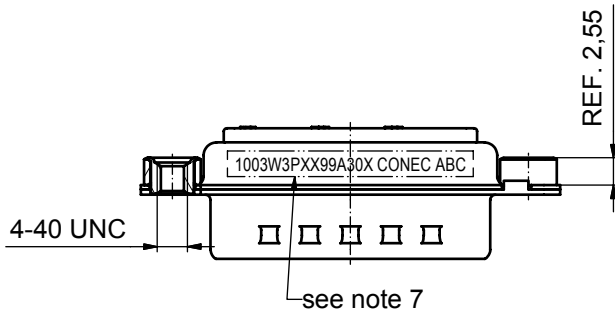
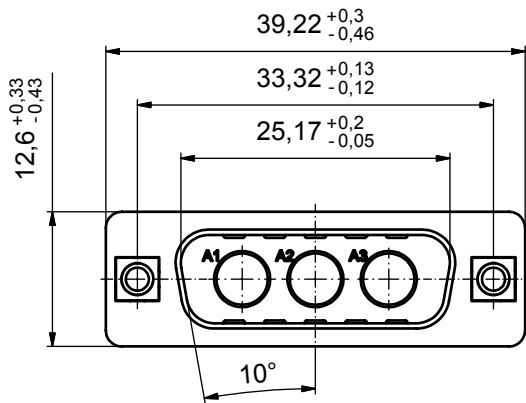
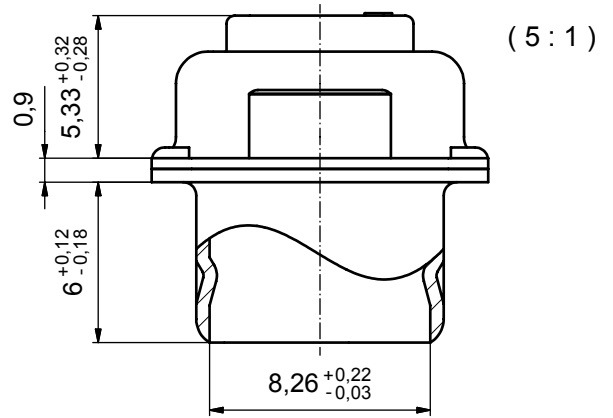


P.C.B. HOLE DRILLINGS



Directive 2002/95 EC  
"RoHS"  
Compliant

NOTES:

- METALSHELLS: COPPER ALLOY; min. 315µm TIN over 40-80µm NICKEL
- INSULATORS: PBT GF UL 94 V-0; GREEN
- NO CONTACTS ON POS A1-A3
- THREADED INSERT: COPPER ALLOY; min. 200µm TIN over 80µm NICKEL
- COLLAR: COPPER ALLOY; min. 200µm TIN over 80µm NICKEL
- MAXIMUM TORQUE VALUE FOR THREAD: 6 in.LB
- CONNECTOR IS PART MARKED: 1003W3PXX99A30X CONEC ABC

APPROVAL # FREIGABE # DEBLOCAGE # AUTORIZACION # APPROVAL	
CUSTOMER APPROVAL DATE:	
NAME:	TITLE:
COMPANY NAME:	
APPROVAL # FREIGABE # DEBLOCAGE # AUTORIZACION # APPROVAL	

THIS DRAWING MAY NOT BE COPIED OR REPRODUCED IN ANY WAY, AND MAY NOT BE PASSED ON TO A THIRD PARTY WITHOUT WRITTEN PERMISSION. OWNERSHIP AND COPYRIGHT OF CONEC GmbH			
DO NOT ALTER CAD DRAWING BY HAND			
rev.	description	date	name
a	Origin		

tolerance	dim. in mm
date	name
drawn	18.11.08 Schmidt
appd.	18.11.08 Mickenbecker
norm	
d-old	
<b>CONEC</b>	

scale:	2:1 (5:1)	
material:	see notes	
title:	D-SUB COMBINATION MALE	
	3W3P	
	with threaded insert	
dwg no:	Inventor 10	DIN-A3
	13K1A2684	sh: 1
part no:	1003W3PXX99A30X	