

## CPDA10R3V3U-HF

RoHS Device

Halogen Free

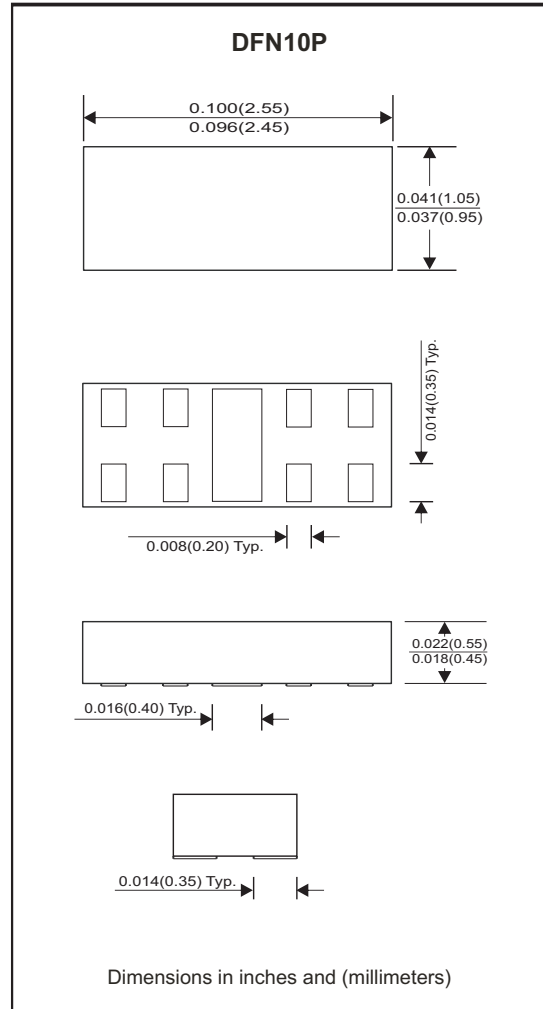
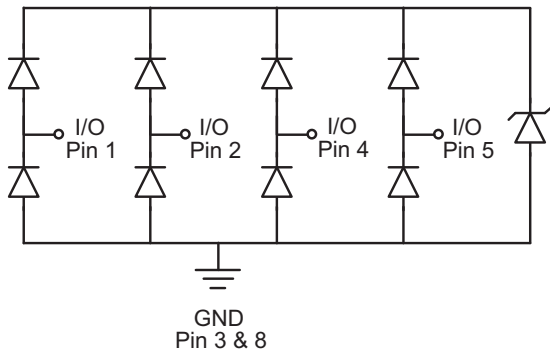
### Features

- IEC61000-4-2 (ESD)±12kV(Contact),±15kV(Air).
- Working voltage: 3.3 V
- Low leakage current.
- Low capacitance: 0.4 pF typical (I/O to GND)

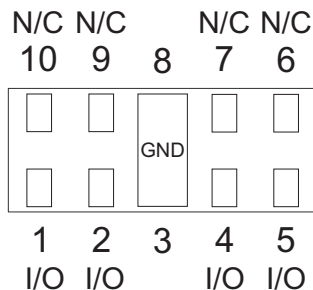
### Mechanical data

- Case: DFN10p package,molded plastic.
- Terminals: Gold plated, solderable per MIL-STD-750,method 2026.
- Mounting position: Any

### Circuit Diagram



### Package



## Maximum Rating (at $T_A=25^\circ\text{C}$ unless otherwise noted)

Parameter	Symbol	Value	Unit
Peak pulse power ( $t_p = 8/20 \text{ us}$ )	PPP	39.2	W
Peak pulse current ( $t_p = 8/20 \text{ us}$ )	IPP	4	A
ESD per IEC 61000-4-2(Air) ESD per IEC 61000-4-2(Contact)	ESD	15 12	kV
Operating temperature	TJ	-55 to +125	$^\circ\text{C}$
Storage temperature	TSTG	-55 to +150	$^\circ\text{C}$

## Electrical Characteristics (at $T_A=25^\circ\text{C}$ unless otherwise noted)

Parameter	Conditions	Symbol	Min	Typ	Max	Unit
Reverse stand-off voltage		$V_{RWM}$			3.3	V
Breakdown Voltage	$I_T = 1 \text{ mA}$	$V_{BR}$	4	4.7		V
Leakage current	$V_{RWM} = 3.3\text{V}$	$I_R$			1	$\mu\text{A}$
Clamping voltage	$I_{PP} = 1\text{A}$ , $T_P = 8/20\mu\text{s}$ , Any Channel Pin to Ground	$V_C$		6.3		V
	$I_{PP} = 4\text{A}$ , $T_P = 8/20\mu\text{s}$ , Any Channel Pin to Ground	$V_C$		9.8		V
Junction capacitance	$V_R = 0\text{V}$ , $f = 1\text{MHz}$ Any Channel Pin to Ground	$C_j$		0.4		pF

## RATING AND CHARACTERISTIC CURVES (CPDA10R3V3U-HF)

Fig.1 - 8/20us Peak Pulse Current Waveform ACC. IEC 61000-4-5

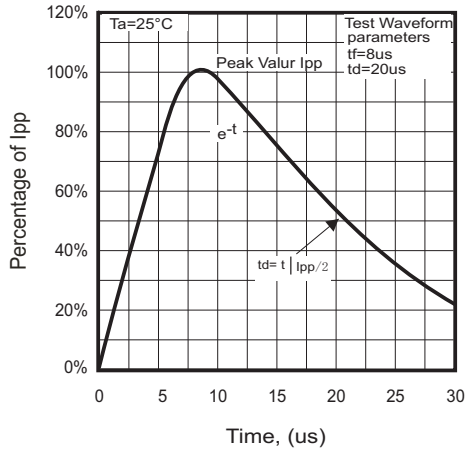


Fig.2 - Forward Characteristics

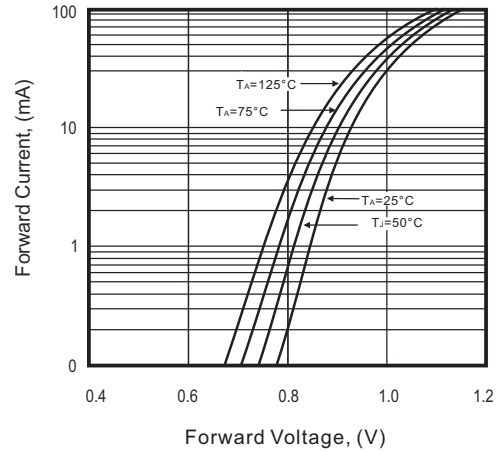


Fig.3 - Clamping Voltage Vs. Peak Pulse Current

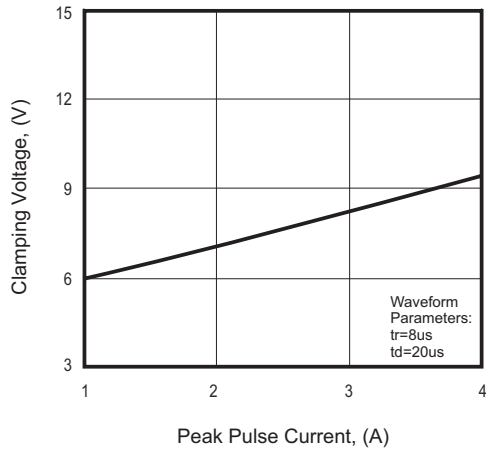


Fig.4 - Power Rating Derating Curve

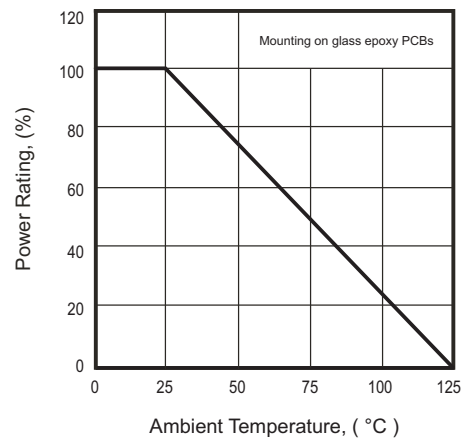
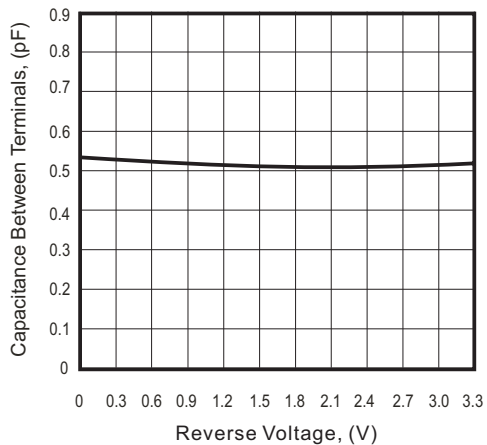
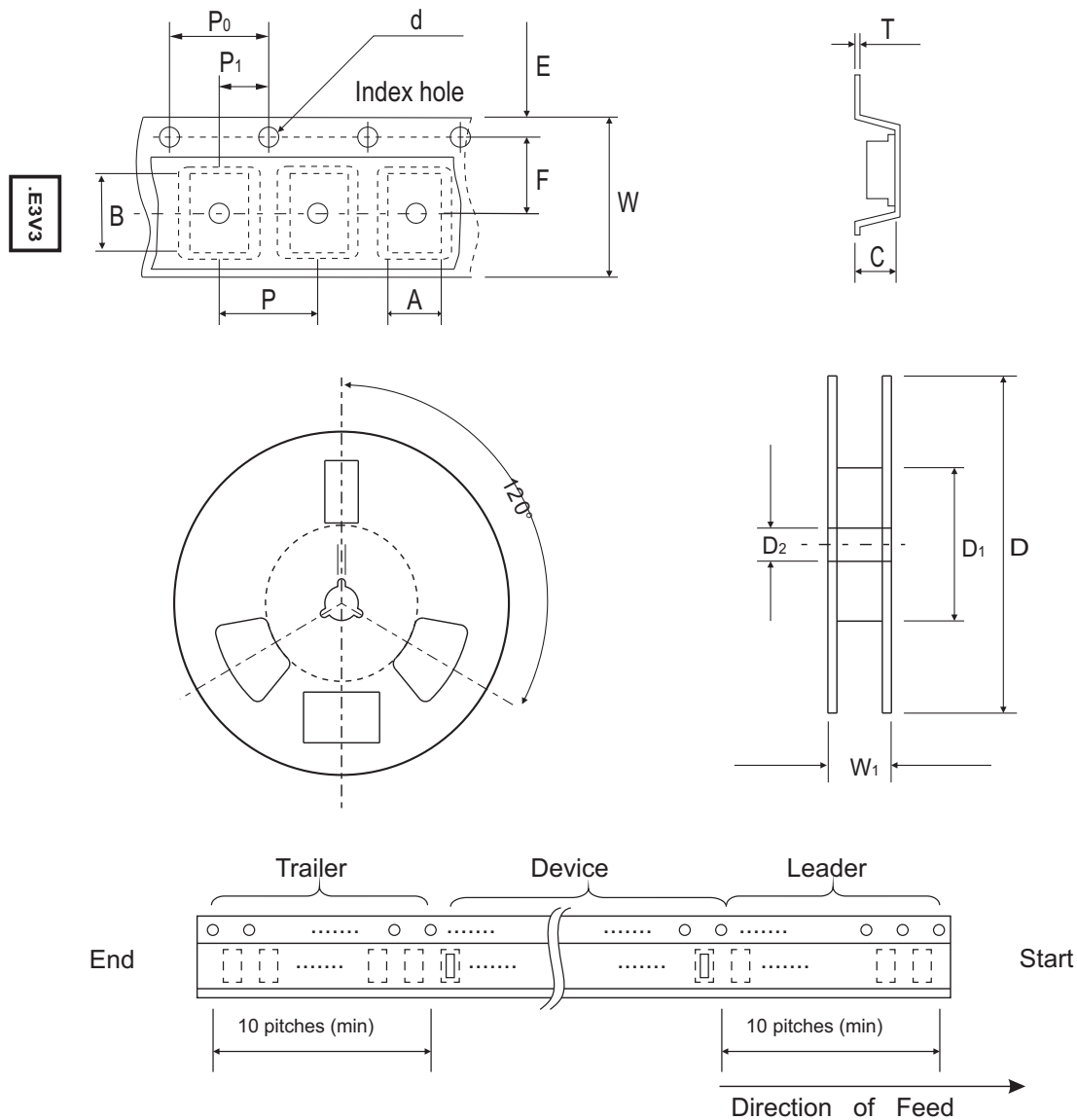


Fig.5 - Typical Capacitance Between Terminals Characteristics



## Reel Taping Specification



DFN10P	SYMBOL	A	B	C	d	D	D <sub>1</sub>	D <sub>2</sub>
	(mm)	1.14 ± 0.05	2.64 ± 0.05	0.64 ± 0.05	1.50 + 0.10 - 0	178.00 ± 1.00	60.00 + 0.50 - 0	13.00 ± 0.20
	(inch)	0.045 ± 0.002	0.104 ± 0.002	0.025 ± 0.002	0.059 + 0.004 - 0	7.008 ± 0.039	2.362 + 0.020 - 0	0.512 ± 0.008

DFN10P	SYMBOL	E	F	P	P <sub>0</sub>	P <sub>1</sub>	T	W	W <sub>1</sub>
	(mm)	1.75 ± 0.10	3.50 ± 0.05	4.00 ± 0.10	4.00 ± 0.10	2.00 ± 0.05	0.20 ± 0.05	8.00 ± 0.30	12.00 ± 0.15
	(inch)	0.069 ± 0.004	0.138 ± 0.002	0.157 ± 0.004	0.157 ± 0.004	0.079 ± 0.002	0.008 ± 0.002	0.315 ± 0.012	0.472 ± 0.006

Company reserves the right to improve product design , functions and reliability without notice.

REV:

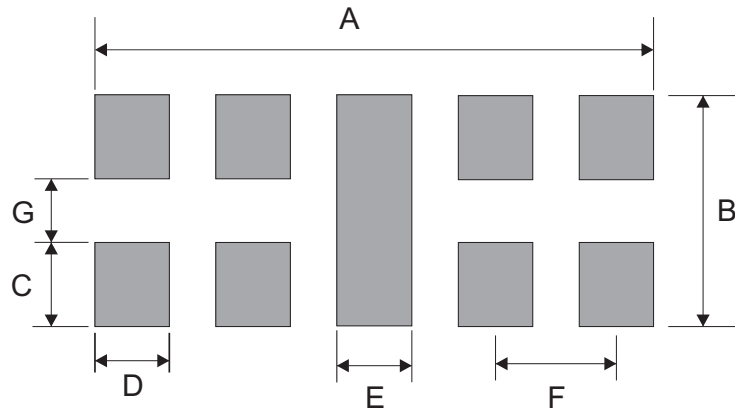
## Marking Code

Part Number	Marking Code
CPDA10R3V3U-HF	.E3V3



## Suggested PAD Layout

SIZE	DFN10P	
	(mm)	(inch)
A	2.30	0.091
B	1.00	0.039
C	0.38	0.015
D	0.30	0.012
E	0.30	0.012
F	0.50	0.020
G	0.24	0.009



## Standard Packaging

Case Type	Qty Per Reel	Reel Size
	(Pcs)	(inch)
DFN10P	3,000	7