

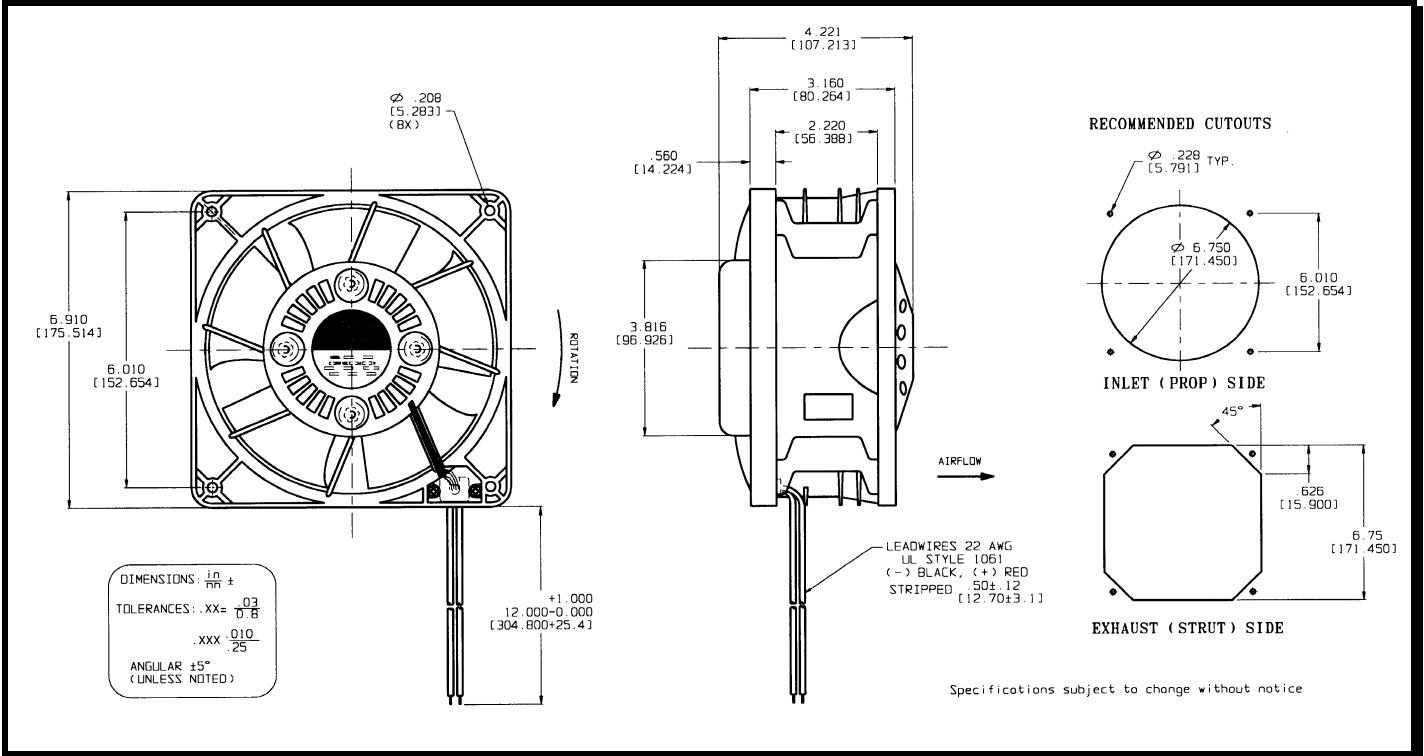
SPECIFICATIONS



Model Number: TD48B6NDNX
Part Number: TBD

Sep 6, 2013

Mechanical Drawing:



Motor:

Nominal Voltage	= 48 vdc
Operating Voltage Range	= 40-56 vdc
Nominal Running Current	= 0.700 amps
Locked Rotor Current	= 1.500 amps
Running Power	= 33.6 watts
Average Speed	= 3275 rpm
Bearings	= Ball
Air Flow	= 330 cfm
Acoustics	= 65.2 dBA

Construction:

Venturi: Plastic, Black, UL 94V-0
 Propeller: Polycarbonate, Black, UL 94V-0

Agency Approvals:

UL, cUL

Life Expectancy:

This fan is designed for continuous duty life of 35,000 hours at 40°C

Additional Features:

Brushless DC Motor
 Electronic Locked Rotor Protected
 Reverse Polarity Protection
 Automatic Restart Capability
 Operating Temperature: -10°C to +70°C
 Storage Temperature: -40°C to +85°C

Fan Performance Sensor (FPS):

Output:	Inverted Open Collector
Ic:	80mA Max.
Vcc:	60VDC Max.
Logic Level:	Low on Pass, High on Fail
Delay:	10 ± 4 Seconds
Latching:	No
Isolated:	No

Termination:

24.0" Harness, AWG 22, UL Style 1061
 Connector: Molex 03-06-2032
 Terminals: Molex 02-06-2103

Pin 1 (Red)	= Power (+)
Pin 2 (Black)	= Return (-)
Pin 3 (Blue/White)	= FPS Output