

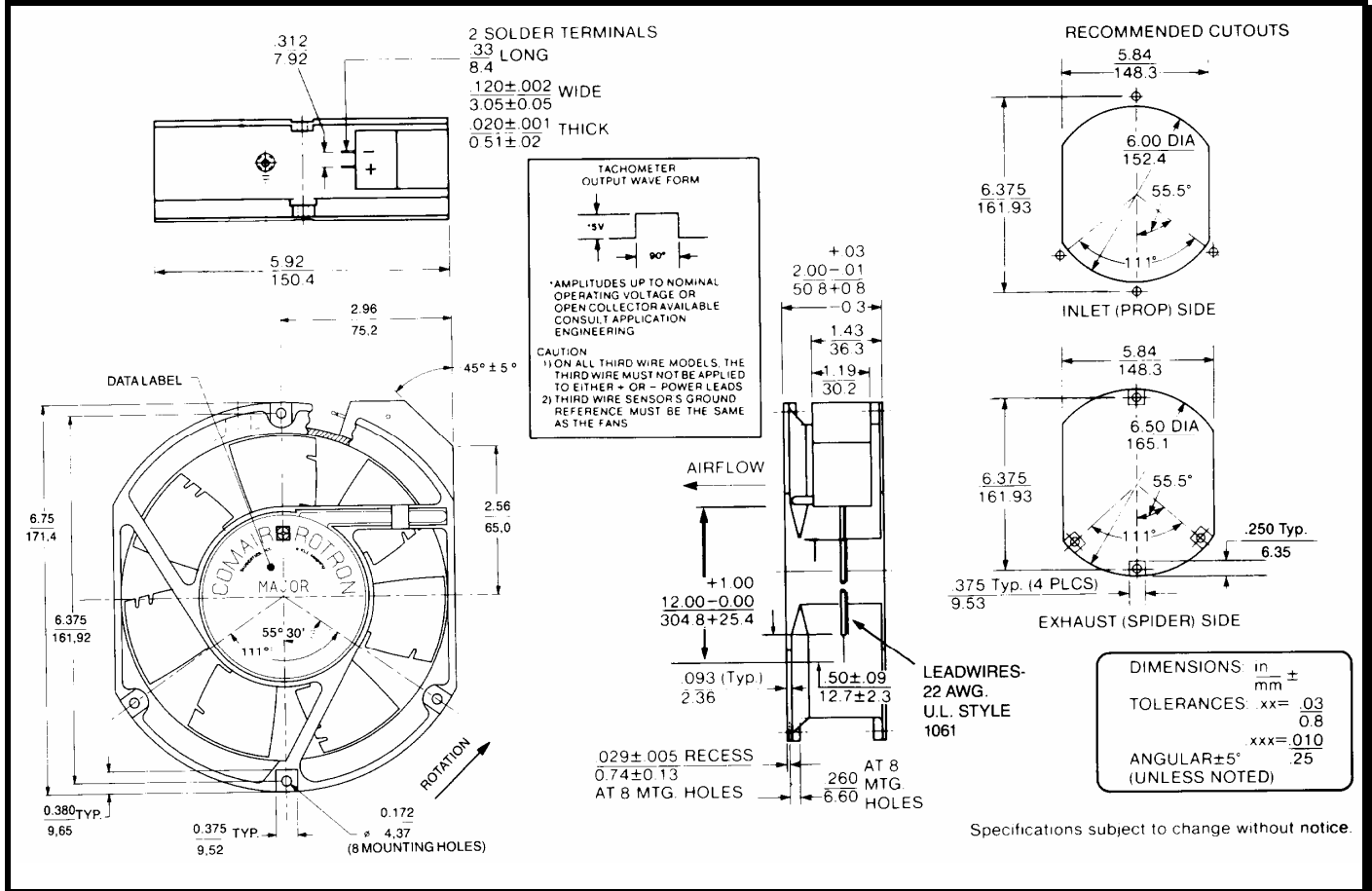
# SPECIFICATIONS



**Model Number:** JQ24B3QDNX  
**Part Number:** 032571

April 25, 2005

## Mechanical Drawing:



### Motor:

Nominal Voltage	= 24 vdc
Operating Voltage Range	= 12 - 28 vdc
Nominal Running Current	= 1.00 amps
Locked Rotor Current	= 1.55 amps
Running Power	= 24.0 watts
Average Speed	= 3425 rpm
Bearings	= Ball
Air Flow	= 235 cfm
Acoustic	= 54.3 dBA

### Construction:

Venturi: Die-cast aluminum, Black  
 Propeller: Plastic, Black, UL 94V-0

### Agency Approvals:

UL, TUV, CSA

### Life Expectancy:

This fan is designed for continuous duty life of 75,000 hours at 40°C.

### Additional Features:

- Brushless DC motor
- Locked Rotor Protection
- Automatic Restart Capability
- Polarity Protected
- Operating Temperature -10°C to 70°C
- Storage Temperature -40°C to 85°C

### Fan Performance Sensor (FPS):

Output:	Open Collector
I <sub>c</sub> :	20 mA Max
V <sub>cc</sub> :	28 Vdc Max
Logic Level:	High on Pass, Low on Fail
Isolated:	No
Latching:	No
Delay:	10 ± 4 seconds

### Termination:

- 12" Lead wires, 22 AWG, UL1061
- Red = Power (+)
- Black = Return (-)
- Blue/White = Alarm (FPS)