

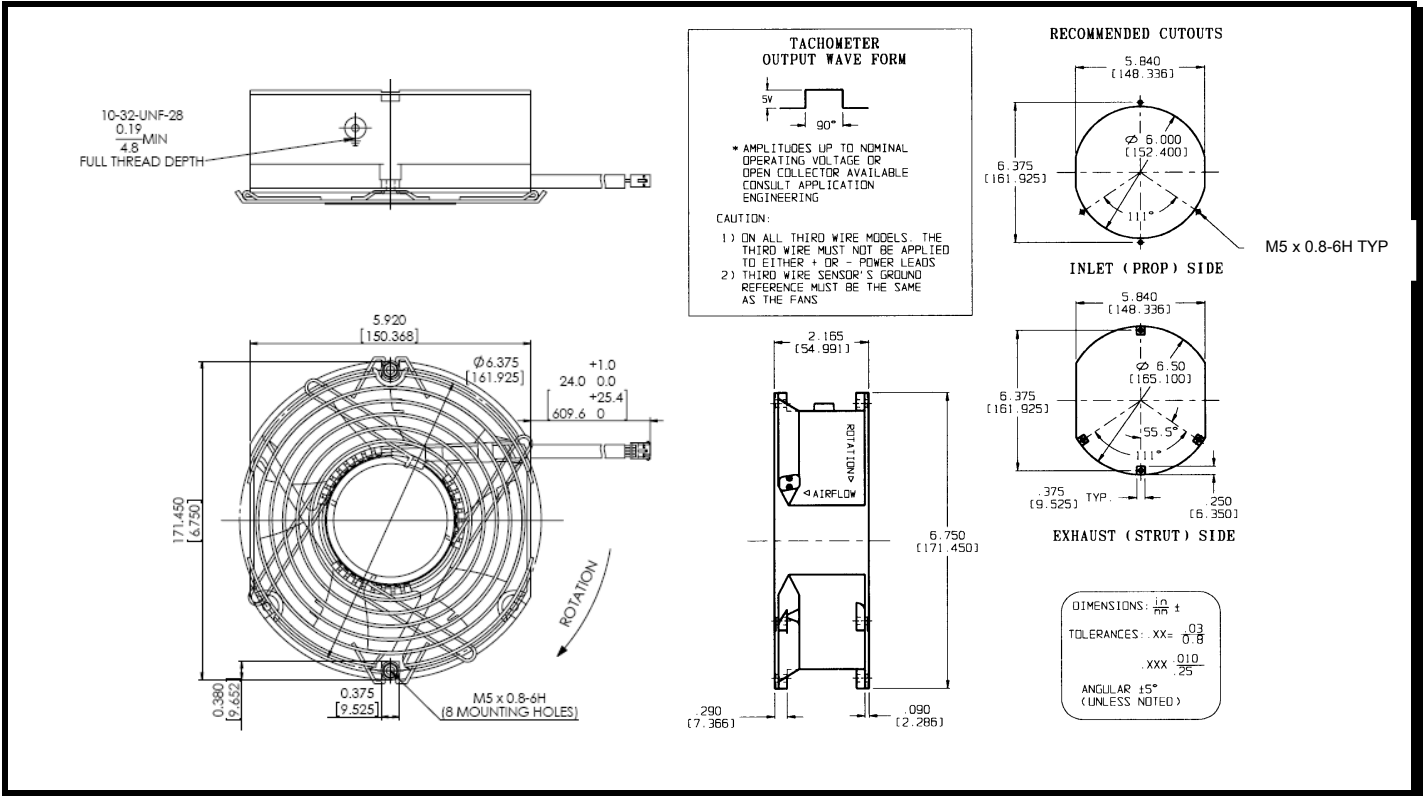
SPECIFICATIONS



Model Number: MT24R0X-E2
Part Number: 19041196A

Reversion: 03
Aug 02, 2015

Mechanical Drawing:



Motor:

Nominal Voltage	= 24 vdc
Operating Voltage Range	= 12 - 28 vdc
Nominal Running Current	= 1.70 amps
Max. Locked Rotor Current	= 3.50 amps
Running Power	= 41.0 watts
Speed	= 4000 ± 10% RPM
Bearings	= Ball
Air Flow	= 345 CFM
Acoustic	= 60.6 dBA

Construction:

Venturi:	Aluminum, Black.
Propeller:	Plastic, Black, UL94V-0

Life Expectancy:

This fan is designed for continuous duty life of 90,000 hours at 40°C.

Agency Approved:

UL, CE

Additional Features:

Brushless DC Motor	
Electronic Locked Rotor Protected	
Polarity Protected	
Automatic Restart Capability	
Operating Temperature:	-10°C to 70°C
Storage Temperature:	-40°C to 85°C
Enviroshield:	Type 2
Programmable Speed Control	
M5 tapped mounting holes – all faces	
Finger Guard attached to strut. Side	

Tachometer:

Output:	Open Collector
I _c :	5 mA Typical
Isolated:	No
Pulses per Revolution:	2

Termination:

24" Harness, fan edge/tip of connector, 22 AWG, UL 1007

Connector: Tyco 350780-1

Terminals: Tyco 350561-3

Wire Seal: Tyco 794274-1

Pin 1: Tachometer (Blue)

Pin 2: Negative: Fan Ground (Black)

Pin 3: Positive: Fan Power (Red)

Pin 4: Program Lead (Yellow)

Program Speed Control

Control signal type: PWM

Control signal freq: 4 KHz

PWM amplitude: Insensitive, 3VDC – 28VDC

Speed control profile

Duty Cycle (%)	Speed (RPM) W/ Tolerance (%)
0	0
10	0
15	1000 ± 10%
20	2000 ± 10%
25	2000 ± 10%
50	2650 ± 10%
75	3300 ± 10%
80	3500 ± 10%
100	4000 ± 10%

s

PO Curve

