

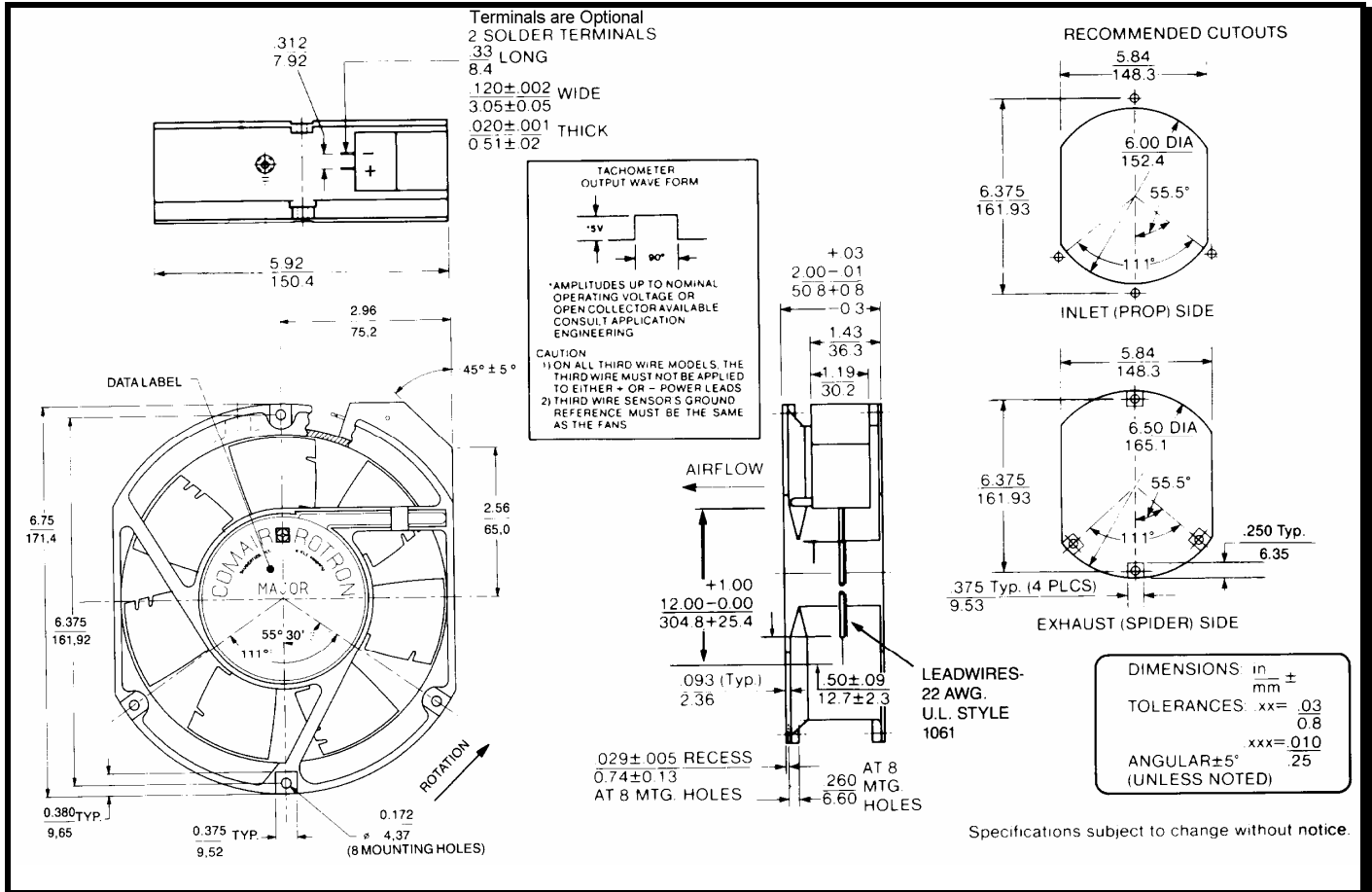
SPECIFICATIONS



Model Number: JQ48B7X-E2
Part Number: 041119

July 23, 2007

Mechanical Drawing:



Motor:

Nominal Voltage = 48 vdc
 Operating Voltage Range = 24 - 56 vdc
 Nominal Running Current = .460 Amps
 Locked Rotor Current = 1.00 Amps
 Running Power = 22 Watts
 Average Speed = 3475 rpm
 Bearings = Ball
 Air Flow = 235 cfm
 Acoustic = 54.3 dBA

Construction:

Venturi: Die-cast aluminum, painted black
 Propeller: Polycarbonate, painted black

Life Expectancy:

This fan is designed for continuous duty life of 62,000 hours at 50°C.

Agency Certification:

UL, CSA, TUV

Additional Features:

Brushless DC Motor
 Electronic Locked Rotor Protection
 Polarity Protection
 Operating Temperature: -10°C to 70°C
 Storage Temperature: -40°C to 85°C
 Type II Environmental Coating

Tachometer:

Output: Open Collector
 I_c : 20 mA Maximum
 V_{cc} : 60 VDC Maximum
 Pulses Per Rev: 2
 Isolated: No

Termination:

12.0" Leadwires, 20 AWG, UL 1061 Style
 Red = Fan Power
 Black = Fan Return
 Blue/White = Tachometer Output