

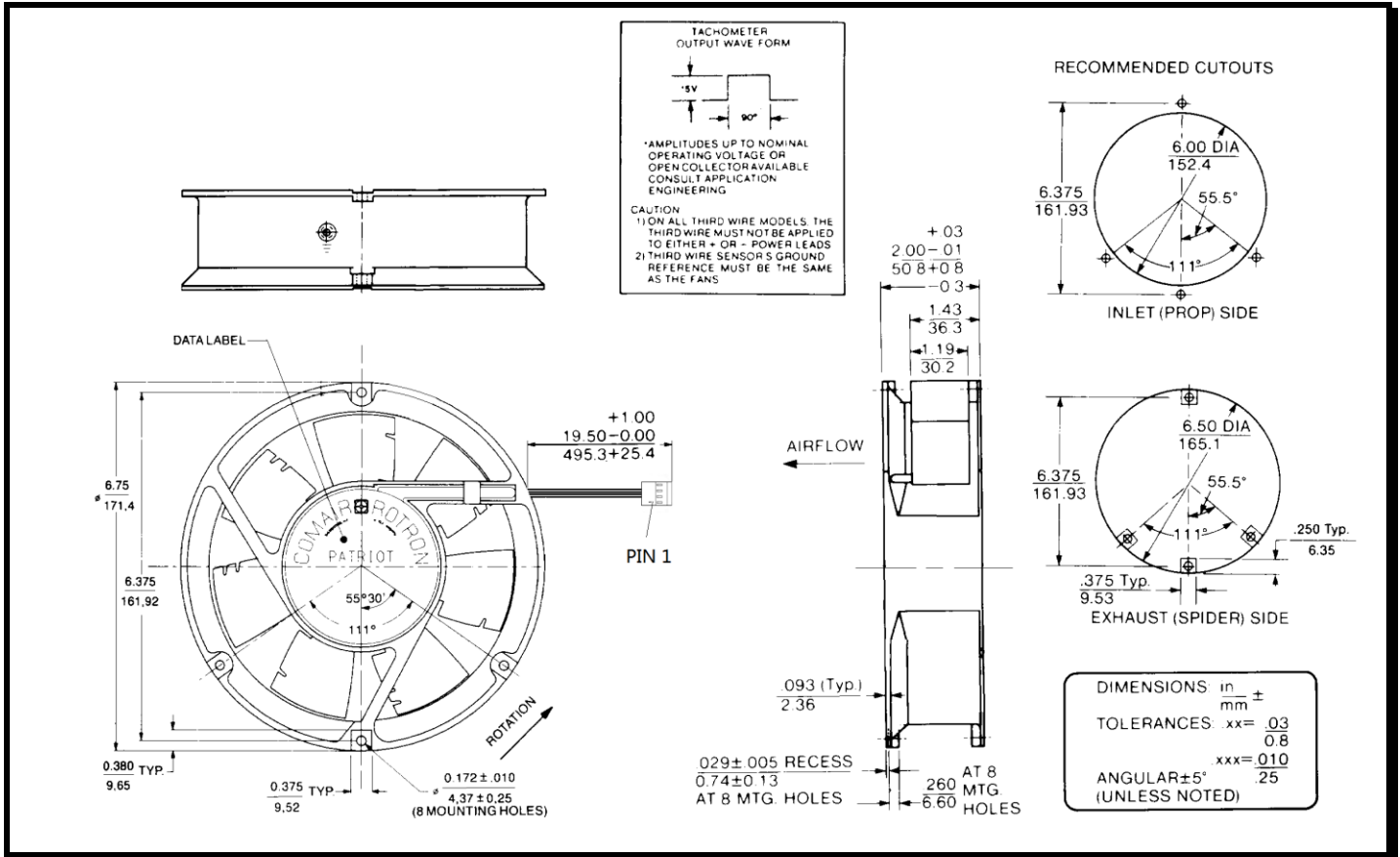
SPECIFICATIONS



Model Number: PQ48R0X
Part Number: 19039729A

Nov 27, 2013

Mechanical Drawing:



Motor:

Nominal Voltage = 48 vdc
 Operating Voltage Range = 24 - 56 vdc
 Nominal Running Current = 0.460 amps
 Locked Rotor Current = 1.000 amps
 Running Power = 22.0 watts
 Average Speed = 3475 RPM
 Bearings = Ball
 Air Flow = 235 CFM
 Noise = 51.2 dBA

Construction:

Venturi: Die-Cast Aluminum, Black
 Propeller: Plastic, Black, UL 94V-0

Life Expectancy:

This fan is designed for continuous duty life of 75,000 hours at 40°C.

Agency Approvals:

UL, CUL, CE

Additional Features:

Brushless DC Motor
 Electronic Locked Rotor Protection
 Polarity Protected
 Automatic Restart Capability
 Operating Temperature: -10°C to 70°C
 Storage Temperature: -40°C to 85°C
 Programmable

Tachometer Specifications:

Output: 5 volt TTL Compatible
 I_c: 5 vdc Typical
 Pulses Per Revolution: 2
 Isolated: No

Termination:

19.5" Harness assembly, 22 AWG, UL 1061
 AMP Connector 640440-4
 Pin 1 = Red, Fan Power (+)
 Pin 2 = Black, Fan Ground (-)
 Pin 3 = Blue/White, Tachometer (Output)
 Pin 4 = Yellow, Program