

SPECIFICATIONS

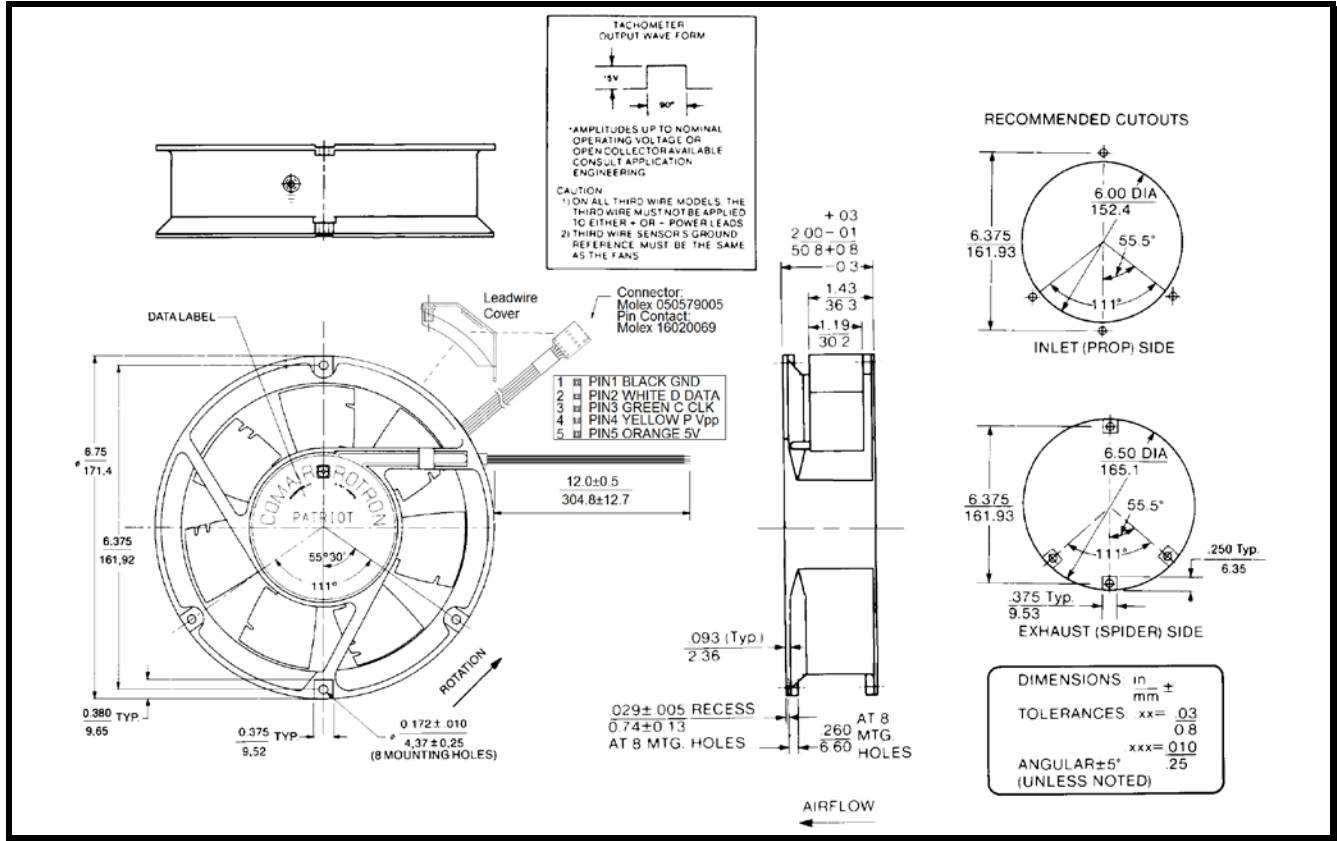
(RoHS Compliant)

Model Number: PQD24Z3A2
Part Number: 19039695A

Version: 00
Apr 19, 2017



Mechanical Drawing:



Motor:

Nominal Voltage	= 24 vdc
Operating Voltage Range	= 12 – 32 vdc
Nominal Running Current	= 1.450 amps
Locked Rotor Current	= 2.500 amps
Running Power	= 35 watts
Average Speed	= 4450 rpm
Bearings	= Ball
Air Flow	= 300 CFM
Static Pressure	= 1.30" of Water
Acoustic	= 60.2 dBA

Construction:

Venturi: Die-Cast Aluminum, Black
 Propeller: Polycarbonate, Black, UL 94V-0

Agency Approvals:

UL, CE, UL 507

Life Expectancy:

This fan is designed for continuous duty life of 50,000 hours at 40°C.

Additional Features:

Brushless DC Motor
 Soft Start Inrush Current
 Electronic Locked Rotor Protection
 Polarity Protected
 Automatic Restart Capability
 Operating Temperature: -40°C to 85°C
 Storage Temperature: -40°C to 85°C
 Programmable: PWM Input, 5 volt TTL
 0% Duty: Off
 100% Duty: 4450 RPM

Tachometer Specifications:

Output: 5 volt TTL compatible
 I_c: 5 mA. Typ.
 Pulses per Revolution: 2
 Isolated: No

Termination:

12" Leadwires, 22 AWG, UL 1061
 Red - Power (+) Blue/White - Tachometer
 Black - Return (-) Yellow - Program Lead
 2" Programmable harness,
 Connector, Molex 050579005
 Pin Contact, Moelx 16020069

PQ Curve:

