

SPECIFICATIONS

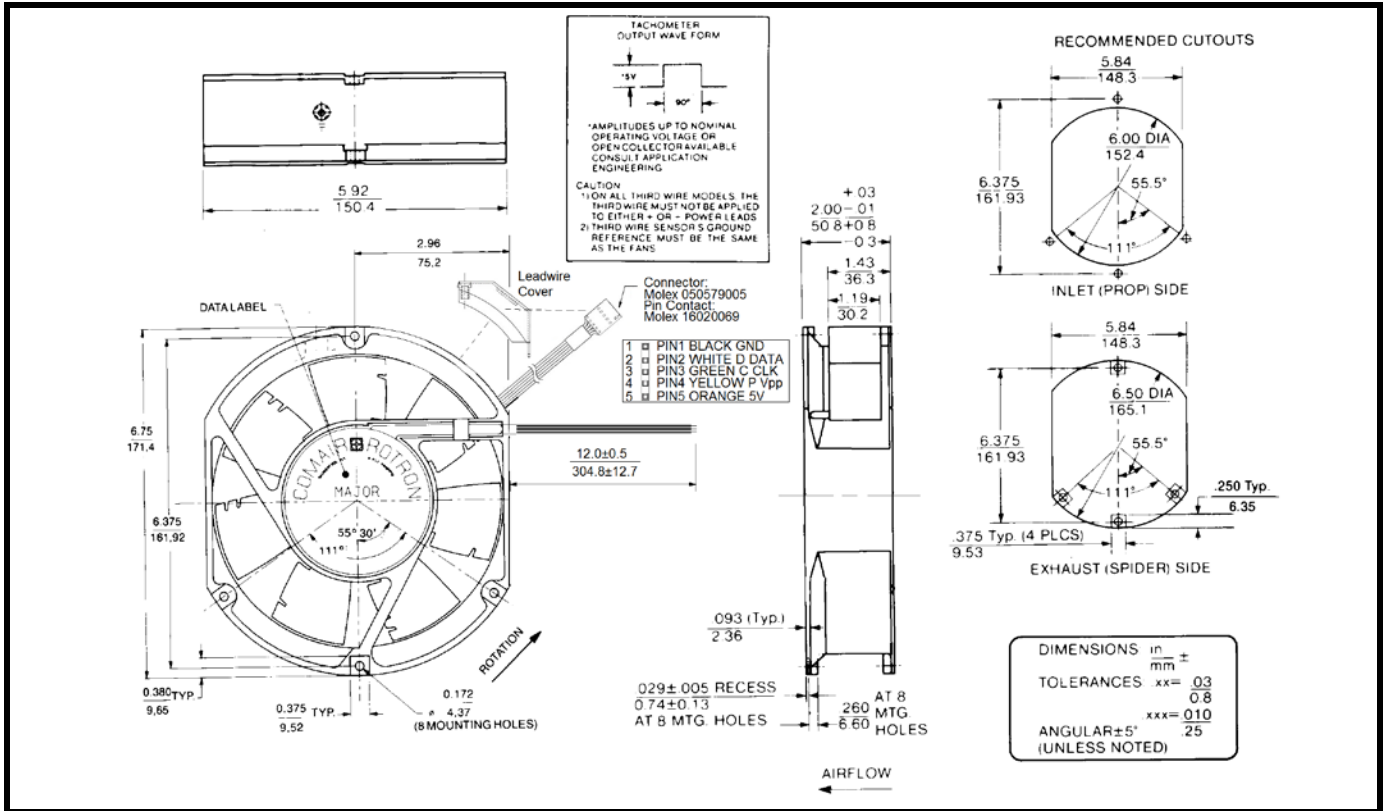
(RoHS Compliant)



Model Number: JQD48Z3A2
Part Number: 19039693A

Version: 02
Apr 19, 2017

Mechanical Drawing:



Motor:

Nominal Voltage	= 48 vdc
Operating Voltage Range	= 24 - 72 vdc
Nominal Running Current	= .720 amps
Locked Rotor Current	= 1.250 amps
Running Power	= 35 watts
Average Speed	= 4450 rpm
Bearings	= Ball
Air Flow	= 300 CFM
Static Pressure	= 1.30" of Water
Acoustic	= 60.2 dBA

Construction:

Venturi: Die-Cast Aluminum, Black
 Propeller: Polycarbonate, Black, UL 94V-0

Agency Approvals:

UL, CE, UL 507

Life Expectancy:

This fan is designed for continuous duty life of 50,000 hours at 40°C.

Additional Features:

Brushless DC Motor	
Soft Start Inrush Current	
Electronic Locked Rotor Protection	
Polarity Protected	
Automatic Restart Capability	
Operating Temperature:	-40°C to 85°C
Storage Temperature:	-40°C to 85°C
Programmable:	PWM Input, 5 volt TTL
0% Duty:	Off
100% Duty:	4450 RPM

Tachometer Specifications:

Output:	5 volt TTL compatible
Ic:	5 mA. Typ.
Pulses per Revolution:	2
Isolated:	No

Termination:

12" Lead wires, 22 AWG, UL 1061
 Red - Power (+) Blue/White - Tachometer
 Black - Return (-) Yellow - Program Lead
 2" Programmable harness,
 Connector, Molex 050579005
 Pin Contact, Moelx 16020069

PQ Curve:

