

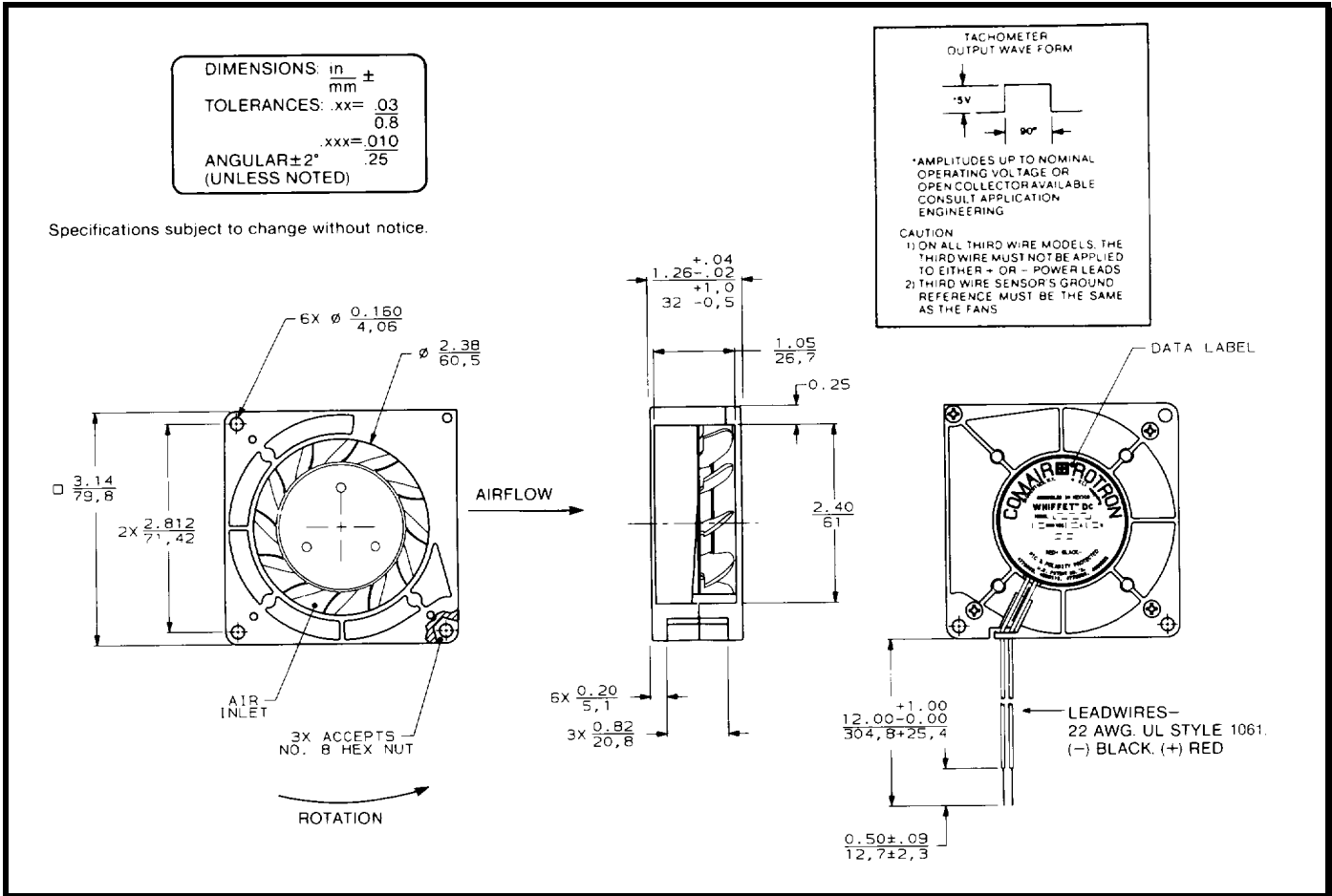
# SPECIFICATIONS



**Model Number:** WT24B3-E2  
**Part Number:** 19039661A

December 8, 2004

## Mechanical Drawing:



<b>Motor:</b>	
Nominal Voltage	= 24 vdc
Operating Voltage Range	= 12 to 28 vdc
Nominal Running Current	= 0.200 amps
Max. Locked Rotor Current	= 0.630 amps
Running Power	= 4.8 watts
Average Speed	= 4050 RPM
Bearings	= Ball
Air Flow	= 15 CFM
Acoustic	= 51.4
<b>Construction:</b>	
Venturi:	Plastic, Black, UL 94V-0
Propeller:	Plastic, Black, UL 94V-0
<b>Life Expectancy:</b>	
This fan is designed for continuous duty life of 80,000 hours at 25°C.	

<b>Additional Features:</b>	
Brushless DC Motor	
Locked Rotor Protection	
Polarity Protected	
Automatic Restart Capability	
Operating Temperature:	-10°C to 70°C
Storage Temperature:	-40°C to 85°C
Environmental Protection Type 2	
<b>Termination:</b>	
12" lead-wires, AWG 22, UL 1061	
Red	= Power (+)
Black	= Return (-)
<b>Agency Approvals:</b>	
UL, CUL	