

# SPECIFICATIONS

(RoHS Compliant)

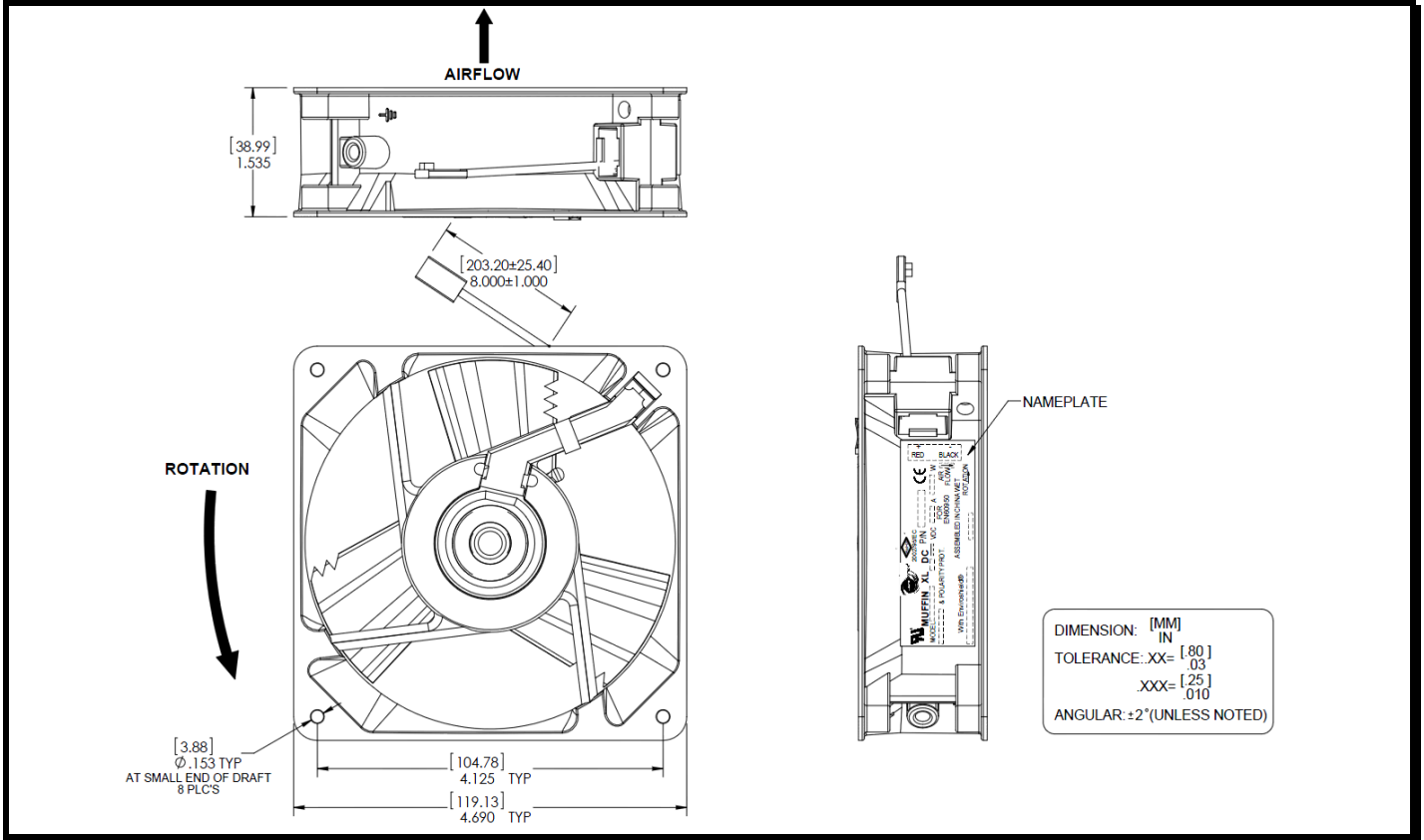


**Model Number:** MDD48K6S3

**Part Number:** 19039646A

Dec. 31, 2015

## Mechanical Drawing:



### Motor:

Nominal Voltage	= 48 vdc
Operating Voltage Range	= 24 – 56 vdc
Nominal Running Current	= 0.160 amps
Locked Rotor Current	= 0.600 amps
Running Power	= 7.7 watts
Average Speed	= 3600 rpm
Bearings	= Ball
Air Flow	= 128 CFM
Acoustic	= 53.2 dBA

### Construction:

Venturi: Polypropylene, Black, UL 94V-0  
 Propeller: Polypropylene, Black, UL 94V-0

### Life Expectancy:

This fan is designed for continuous duty life of 83,000 hours at 40°C

### Agencies:

UL, CE

### Additional Features:

Brushless DC Motor  
 Electronic Locked Rotor Protection  
 Automatic Restart Capability  
 Polarity Protected  
 Operating Temperature: -10°C to 70°C  
 Storage Temperature: -40°C to 85°C  
 Thermal Speed Control – PTC in hub

### Tachometer Output:

Output: 5 volt TTL  
 I<sub>c</sub>: 5 mA. Typ.  
 Pulses per Revolution: 1  
 Isolated: No

### Termination:

8" Harness, Lead wires -22AWG, UL1061  
 Connector, Dupont 78211-003; Pins, Dupont 47565-000  
 Shrink Tubing around Terminal Wires  
 Pin 1: Red – Power  
 Pin 2: Blue/White – Tachometer  
 Pin 3: Black – Return