

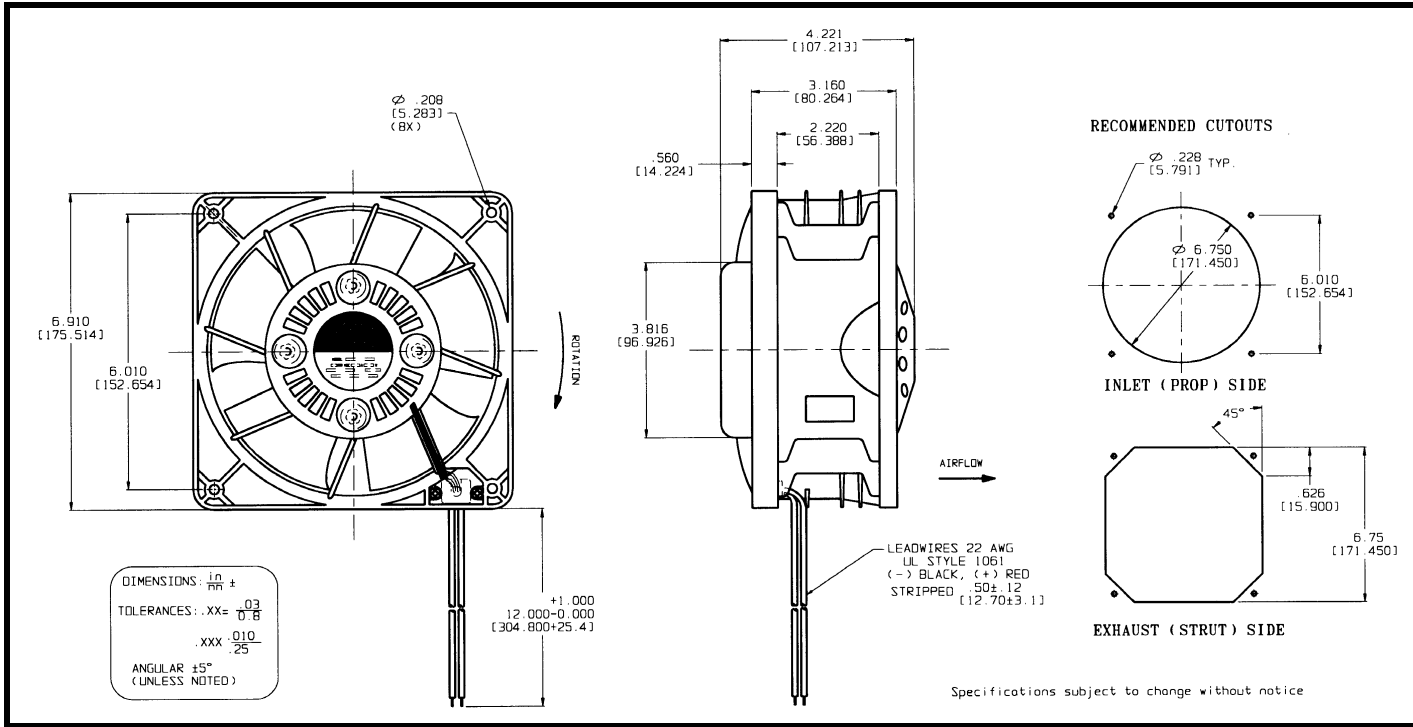
# SPECIFICATIONS



**Model Number:** TD24B7  
**Part Number:** 19032875A

**Version:** 00  
**November 14, 2001**

## Mechanical Drawing:



### Motor:

Nominal Voltage	= 24 vdc
Operating Voltage Range	= 12 – 28 vdc
Nominal Running Current	= 1.5 amps
Locked Rotor Current	= 3.0 amps
Running Power	= 36.0 watts
Average Speed	= 3250 rpm
Bearings	= Ball
Air Flow	= 155 cfm
Acoustic	= 65.2 dBA

### Construction:

Venturi: Plastic, Black, UL 94V-0  
 Propeller: Plastic, Black, UL 94V-0

### Life Expectancy:

This fan is designed for continuous duty life of 35,000 hours at 40°C.

### Agency Approvals:

UL, CE

### Additional Features:

Brushless DC Motor  
 Polarity Protected  
 Locked Rotor Protection  
 Automatic Restart Capability  
 Operating Temperature: -10°C to 70°C  
 Storage Temperature: -40°C to 85°C

### Tachometer:

Output:	5 volt TTL
I <sub>c</sub> :	5 mA Max.
Isolated:	No
Pulses per Rev.:	2

### Termination:

12" Lead-wires, AWG 22, UL 1061  
 Red = Power (+)  
 Black = Return (-)  
 Blue/White = Tachometer (Output)