

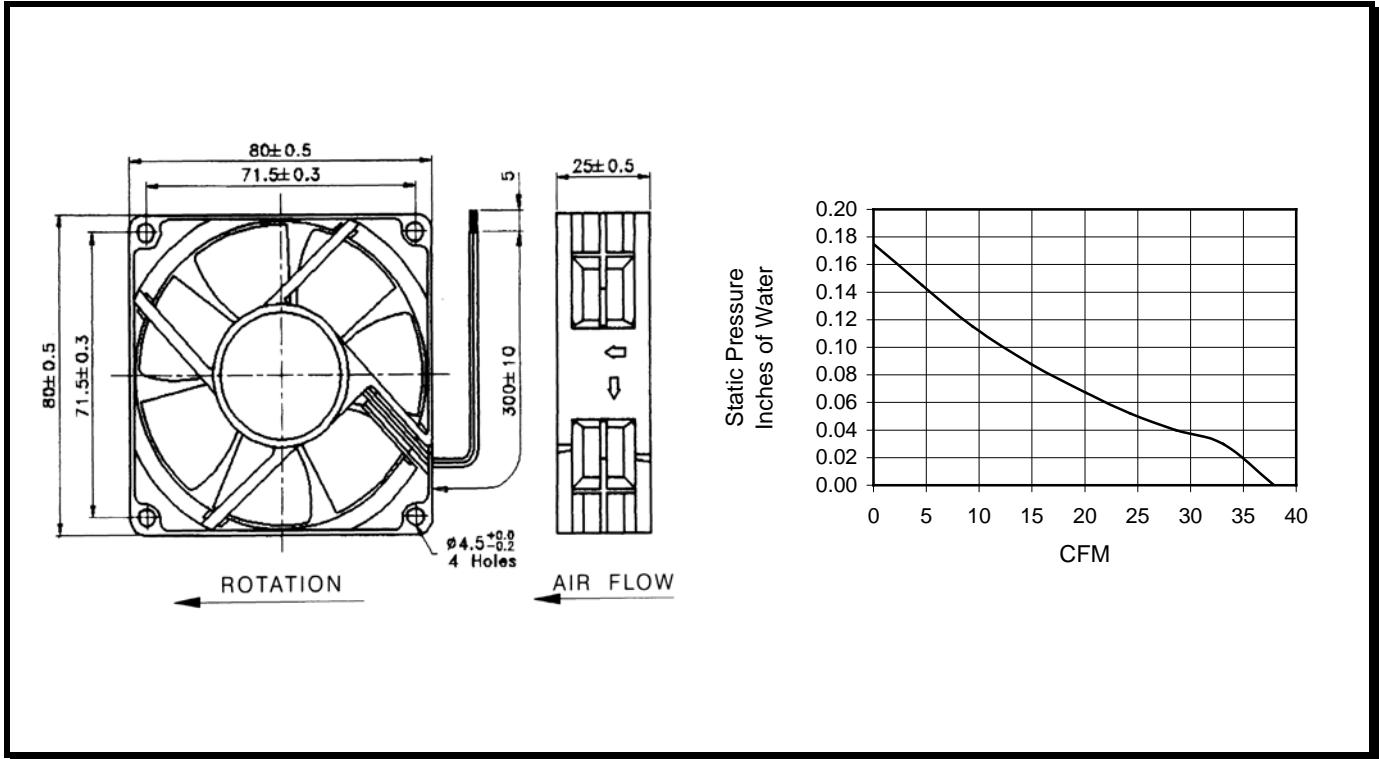
SPECIFICATIONS



Model Number: CR08024HB257004
Part Number: 19032744A

Version: 01
Jan 22, 2017

Mechanical Drawing:



Motor:

Nominal Voltage	= 24 vdc
Operating Voltage Range	= 21.6 – 26.4 vdc
Nominal Running Current	= 0.10 amps
Running Power	= 2.40 watts
Average Speed	= 3010 RPM
Bearings	= Ball
Air Flow	= 37.241 CFM
Static Pressure:	= 0.157 Inch H2O
Acoustic	= 35.8 dBA

Construction:

Venturi: Glass Filled polyester (P.B.T)
 Propeller: Glass Filled polyester (P.B.T)

Life Expectancy:

This fan is designed for continuous duty life of 70,000 hours at 40°C, 65% RH.

Additional Features:

Brushless DC Motor
 Locked Rotor Protection
 Polarity Protected
 Operating Temperature: -10°C to 70°C
 Storage Temperature: -40°C to 70°C

Termination:

300 mm Lead-wires, 24AWG, UL 1007
 Red - Power (+)
 Black - Return (-)

Agency Approvals:

CE