



AC Fans  
DC Fans



AC Blowers  
DC Blowers



AC Impellers  
DC Impellers



AC Motors



Accessories

Search

- Part/Model #
- Stock Check
- Cross-Reference
- Keyword

Find Fans

More Products

- Heat Sinks
- Fan Accessories
- Engineering Tools
  - Airflow Calculator
  - Thermal Calculator
  - Unit Conversions
  - Application Notes
- Custom Solutions
- Company Info
  - Contact Info
  - Technical Capability
  - Certifications
  - Terms & Conditions
  - Employment Ops

Gateway Online

Phone: 619.651.2000

Distributors

Find a Rep

Contact Us

**Flight LT** - **CR0512HB-** **-032648-** **No**  
**52x10** - **G90** - **(Part #)** **(In Stock)**  
 (Family) (Model)



## Electrical Specifications

Operating Voltage:	12 Volts
Voltage Range:	10.8 - 13.2 Volts
Power Supply:	1.0 Watts
Line Current:	0.08 Amps
Locked Rotor Current	0.08 Amps
Nominal Speed:	3800 RPM

## Mechanical Specifications

Dimensions:	52 x 52 x 10 mm
Weight	24 g
Max Airflow @ 0 Pascal	4.63 L/s
Max Pressure @ 0 L/s	19.9 P
Noise	28.6 dBA

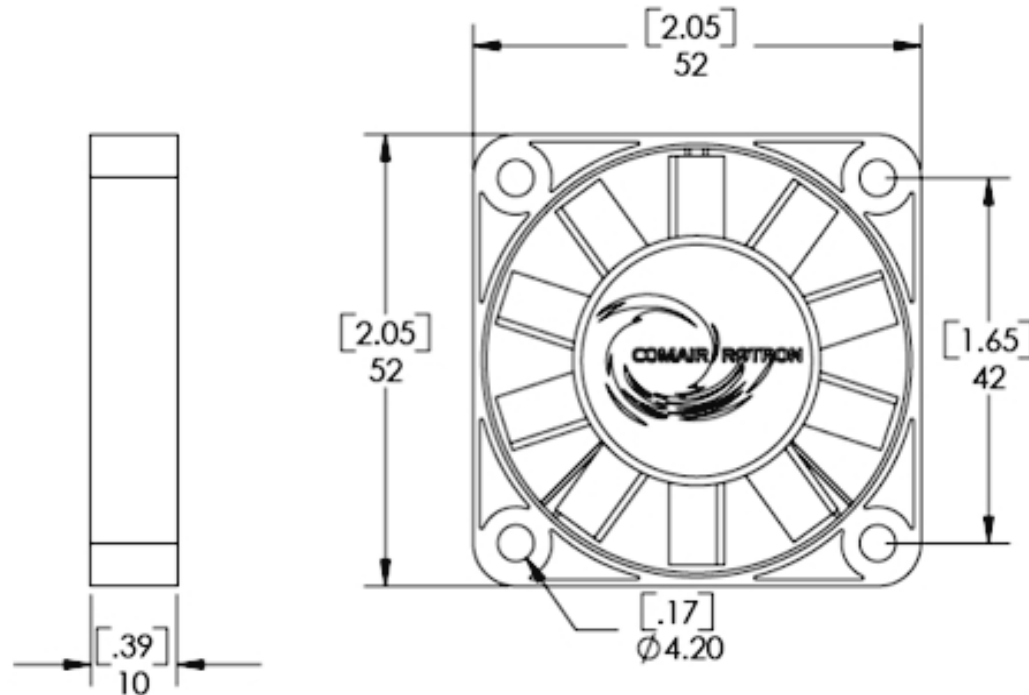


Detailed Drawing

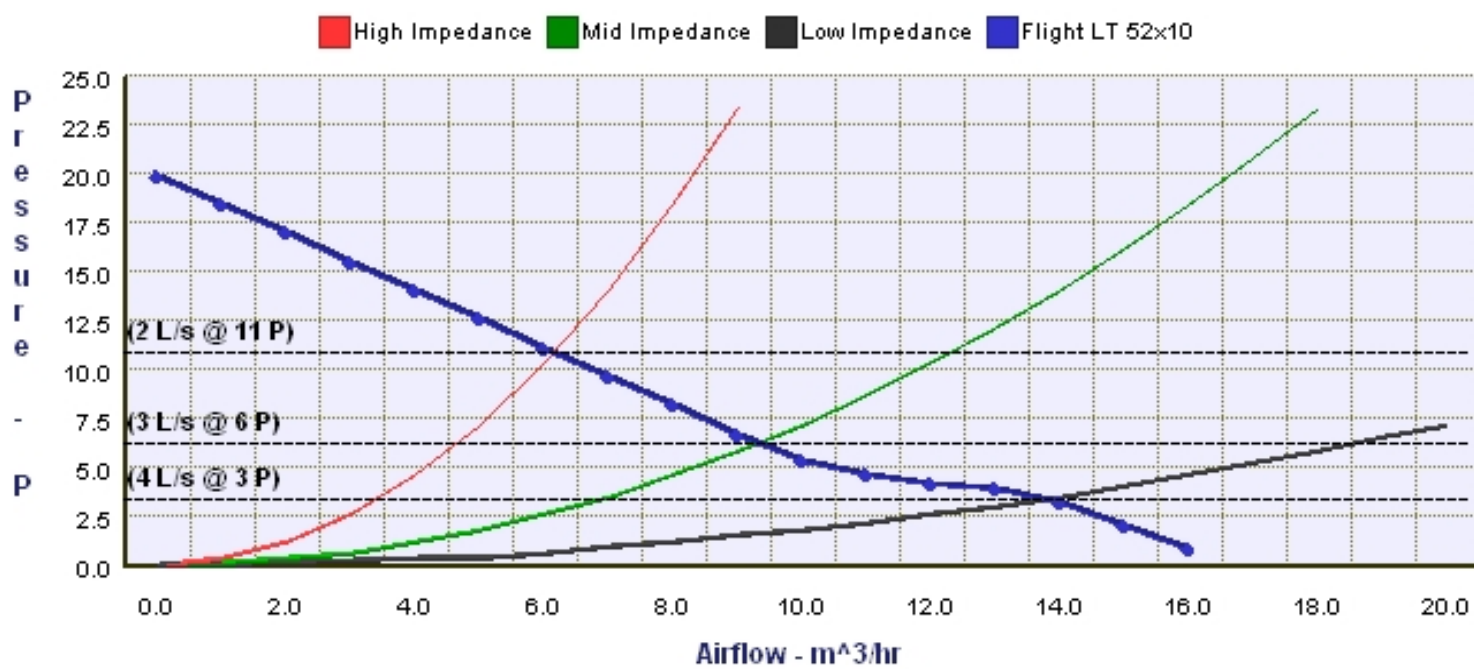


Printer-Friendly Datasheet

## Mechanical Drawing



## Fan Performance Curve



## Fan Configuration Options

**Flight LT 52x10** (Family) - **CR0512HB-G90** (Model) / **032648** (Part #) - **No** (In Stock)

<b>Fan Speeds</b>	<b>Fan Bearings</b>	<b>Fan Airflow Directions</b>	<b>Fan Terminations</b>
<input checked="" type="radio"/> High Speed (3800 RPM)	<input checked="" type="radio"/> Ball Bearings	<input type="radio"/> Flow L (CW Rotation)	<input checked="" type="radio"/> Leads
<input type="radio"/> Medium Speed (3300 RPM)	<input type="radio"/> Sleeve Bearings	<input checked="" type="radio"/> Flow R (CCW Rotation)	<input type="radio"/> Terminals

### Fan Monitoring Options

- No Tachometer Required
- Add Open Collector Tachometer Output