



Flight LT - CR0405LB - -032620 - No
40x20 - C50
 (Family) (Model) (Part #) (In Stock)



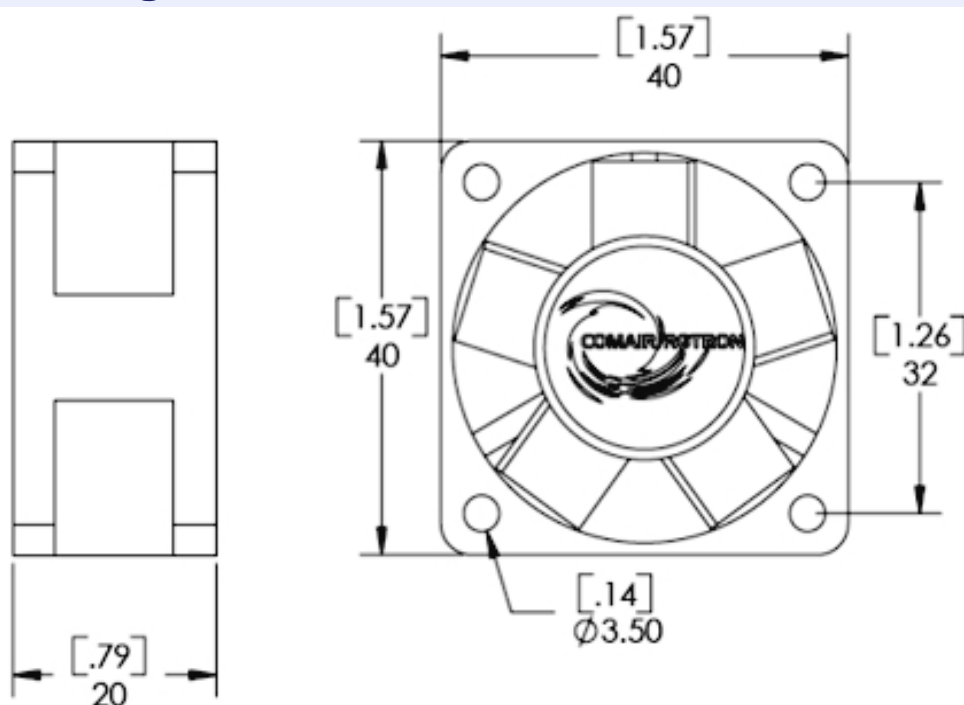
Electrical Specifications

Operating Voltage:	5 Volts
Voltage Range:	4.5 - 5.5 Volts
Power Supply:	0.7 Watts
Line Current:	0.14 Amps
Locked Rotor Current:	0.14 Amps
Nominal Speed:	6000 RPM

Mechanical Specifications

Dimensions:	1.6 x 1.6 x 0.8 in
Weight:	1.2 oz
Max Airflow @ 0 in H ₂ O:	7.5 CFM
Max Pressure @ 0 CFM:	0.160 in H ₂ O
Noise:	22.4 dBA

Mechanical Drawing



Comair Rotron, Inc. Phone: 858.348.6200 FAX: 858.566.4577 sales@comairrotron.com	ThermaFlo, Inc. Phone: 972.312.8609 FAX: 972.312.8617 info@thermaflo.com	Comair Rotron Europe, Ltd. Phone: +44.1527.520525 FAX: +44.1527.520565 saleseurope@comairrotron.com	Comair Rotron Fan Company Ltd. Phone: +86.21.52260581 FAX: +86.21.52260597 salesasia@comairrotron.com
--	--	---	---

Print Date: Saturday, August 18, 2007 at 23:52:37 - DC Fan Datasheet - Web Version 1.0 Rev. B



Fan Performance Curve

Fan Configuration Options

Flight LT 40x20 (Family) / **CR0405LB - C50** (Model) / **032620** (Part #) / **No** (In Stock)

Fan Speed:	6000 RPM	Fan Bearings:	Ball Bearings
Fan Airflow Direction:	Flow R (CCW Rotation)	Fan Termination:	Leads

Fan Monitoring Options: No Fan Monitoring Options Selected

Fan Speed Control Option: No ThermaPro - V Fan Speed Control Options Selected

Environmental Protection Options: No Enviroshield Options Selected

Comair Rotron, Inc. Phone: 858.348.6200 FAX: 858.566.4577 sales@comairrotron.com	ThermaFlo, Inc. Phone: 972.312.8609 FAX: 972.312.8617 info@thermaflo.com	Comair Rotron Europe, Ltd. Phone: +44.1527.520525 FAX: +44.1527.520565 saleseurope@comairrotron.com	Comair Rotron Fan Company Ltd. Phone: +86.21.52260581 FAX: +86.21.52260597 salesasia@comairrotron.com
--	--	---	---

Print Date: Saturday, August 18, 2007 at 23:52:37 - DC Fan Datasheet - Web Version 1.0 Rev. B



Comair Rotron, Inc. Phone: 858.348.6200 FAX: 858.566.4577 sales@comairrotron.com	ThermaFlo, Inc. Phone: 972.312.8609 FAX: 972.312.8617 info@thermaflo.com	Comair Rotron Europe, Ltd. Phone: +44.1527.520525 FAX: +44.1527.520565 saleseurope@comairrotron.com	Comair Rotron Fan Company Ltd. Phone: +86.21.52260581 FAX: +86.21.52260597 salesasia@comairrotron.com
--	--	---	---

Print Date: Saturday, August 18, 2007 at 23:52:37 - DC Fan Datasheet - Web Version 1.0 Rev. B