

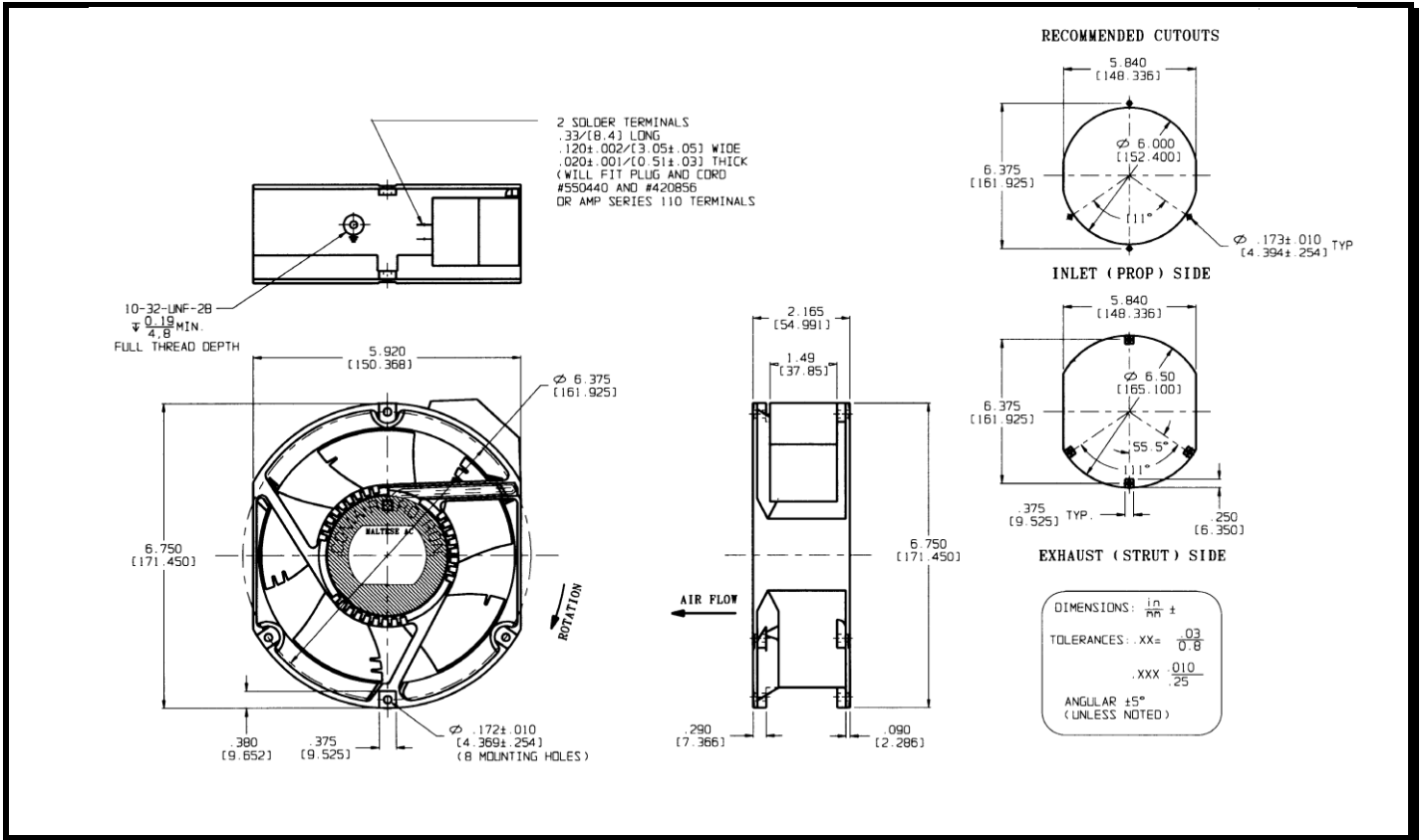
SPECIFICATIONS



Model Number: MA77B3
Part Number: 19031844A

Version: 01
Jan 08, 2018

Mechanical Drawing:



Motor:

Nominal Voltage = 220/230 VAC
 Frequency = 50 / 60 Hz
 Nominal Running Current = 0.20 / 0.18 Amps
 Max. Locked Rotor Current = 0.50 Amps
 Running Power = 40.5 / 41.4 Watts
 Average Speed = 2850 / 3400 RPM
 Bearings = Ball
 Air Flow = 250 / 300 CFM
 Acoustic = 54.8/ 56.5 dBA

Construction:

Venturi: Single piece Die-Cast Aluminum, Black
 Propeller: Polycarbonate, Black, UL 94V-0.

Life Expectancy:

This fan is designed for continuous duty life of 55,000 hours at 40°C.

Additional Features:

Permanent Split Capacitor Motor
 Automatic Reset Thermal Protector
 Feathered Edge Propeller
 Operating Temperature: -10°C to 70°C
 Storage Temperature: -40°C to 85°C

Termination:

2x0.11" Terminals

Agency Approvals:

UL, CUL, CE

PQ Curve:

