

SPECIFICATIONS

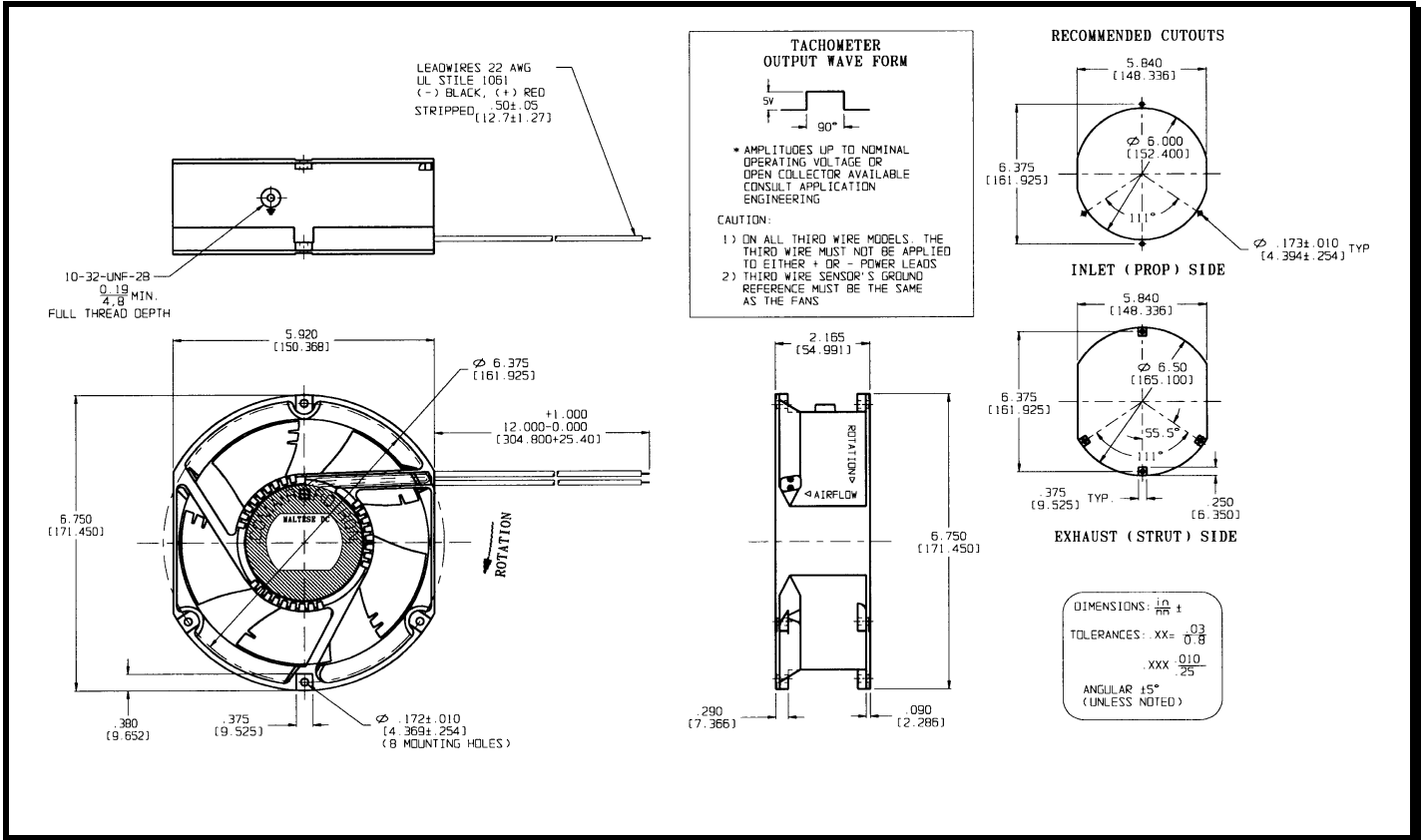
(RoHS Compliant)



Model Number: MT24B3
Part Number: 19031843A

August 30, 2013

Mechanical Drawing:



Motor:

Nominal Voltage	= 24 vdc
Operating Voltage Range	= 12 - 28 vdc
Nominal Running Current	= 1.70 amps
Max. Locked Rotor Current	= 3.50 amps
Running Power	= 41 watts
Average Speed	= 3450 RPM
Bearings	= Ball
Air Flow	= 300 CFM
Acoustic	= 57.1 dBA

Construction:

Venturi: Single Piece Die-cast Aluminum, Black.
 Propeller: Plastic, UL 94V-0 Rated, Black.

Agency Approved:

UL, cURus, CE

Life Expectancy:

This fan is designed for continuous duty life of 76,000 hours at 40°C.

Additional Features:

Brushless DC Motor
 Electronic Locked Rotor Protected
 Polarity Protected
 Automatic Restart Capability
 Operating Temperature: -10°C to 70°C
 Storage Temperature: -40°C to 85°C

Termination:

12" Lead wires, AWG 22, UL 1061

Red = Power (+)

Black = Ground (-)